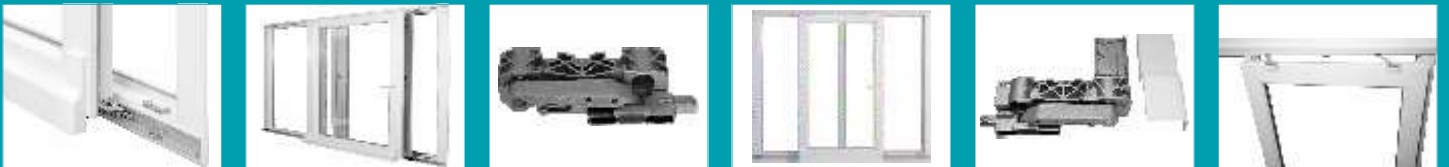


Parallel Sliding Systems

ERZEN®



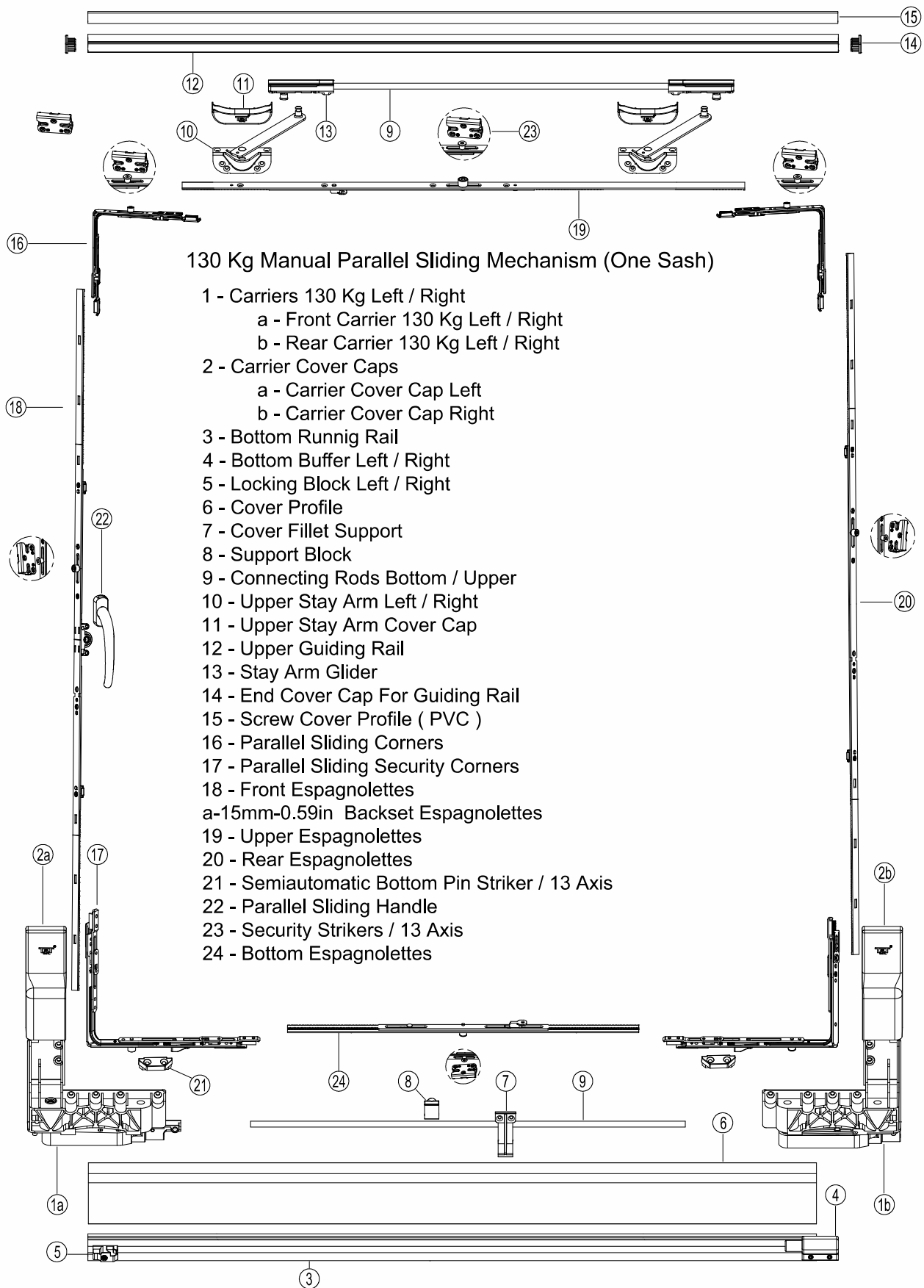
T&T®

ERZ®

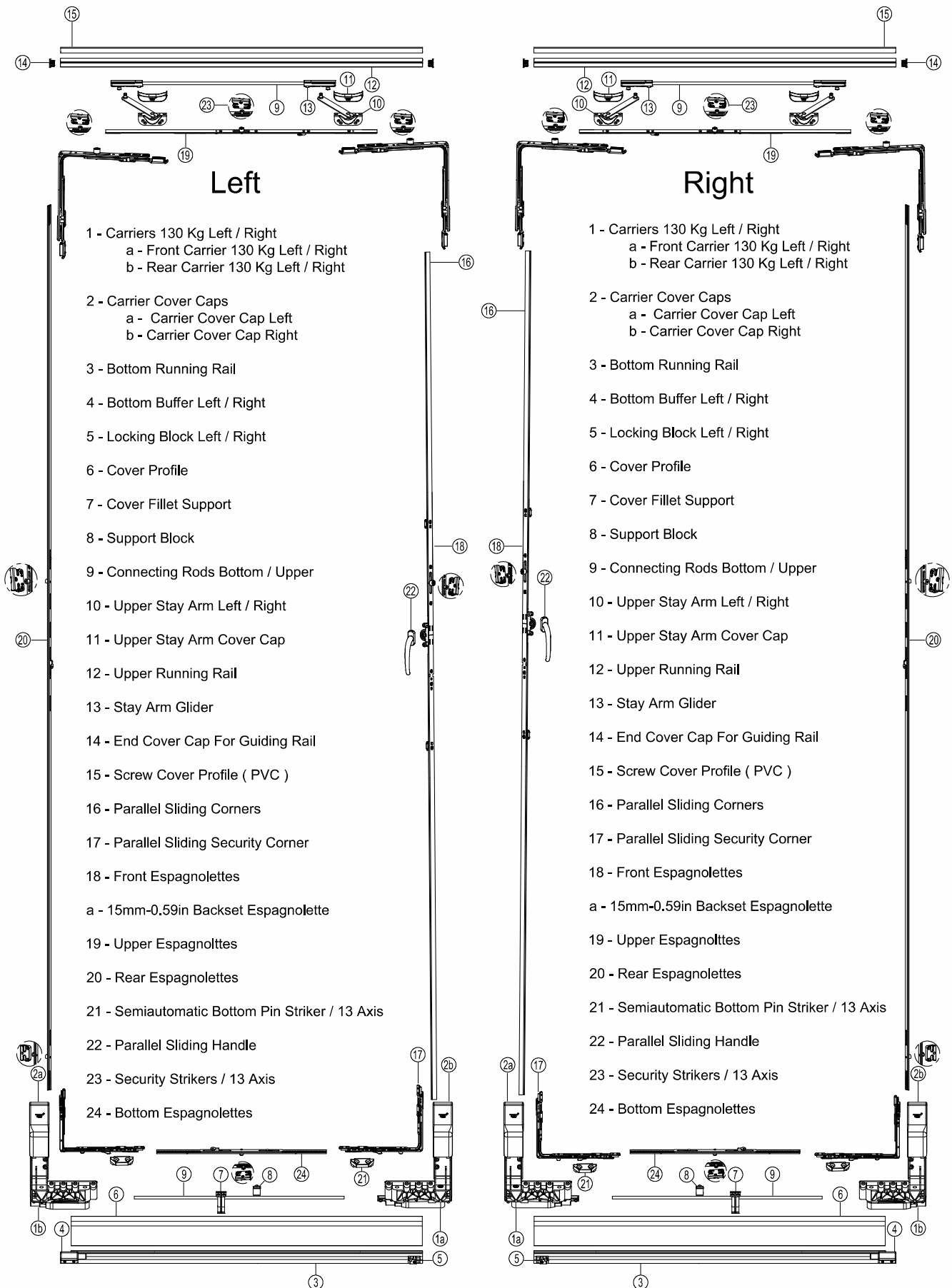


www.tandt.com.tr

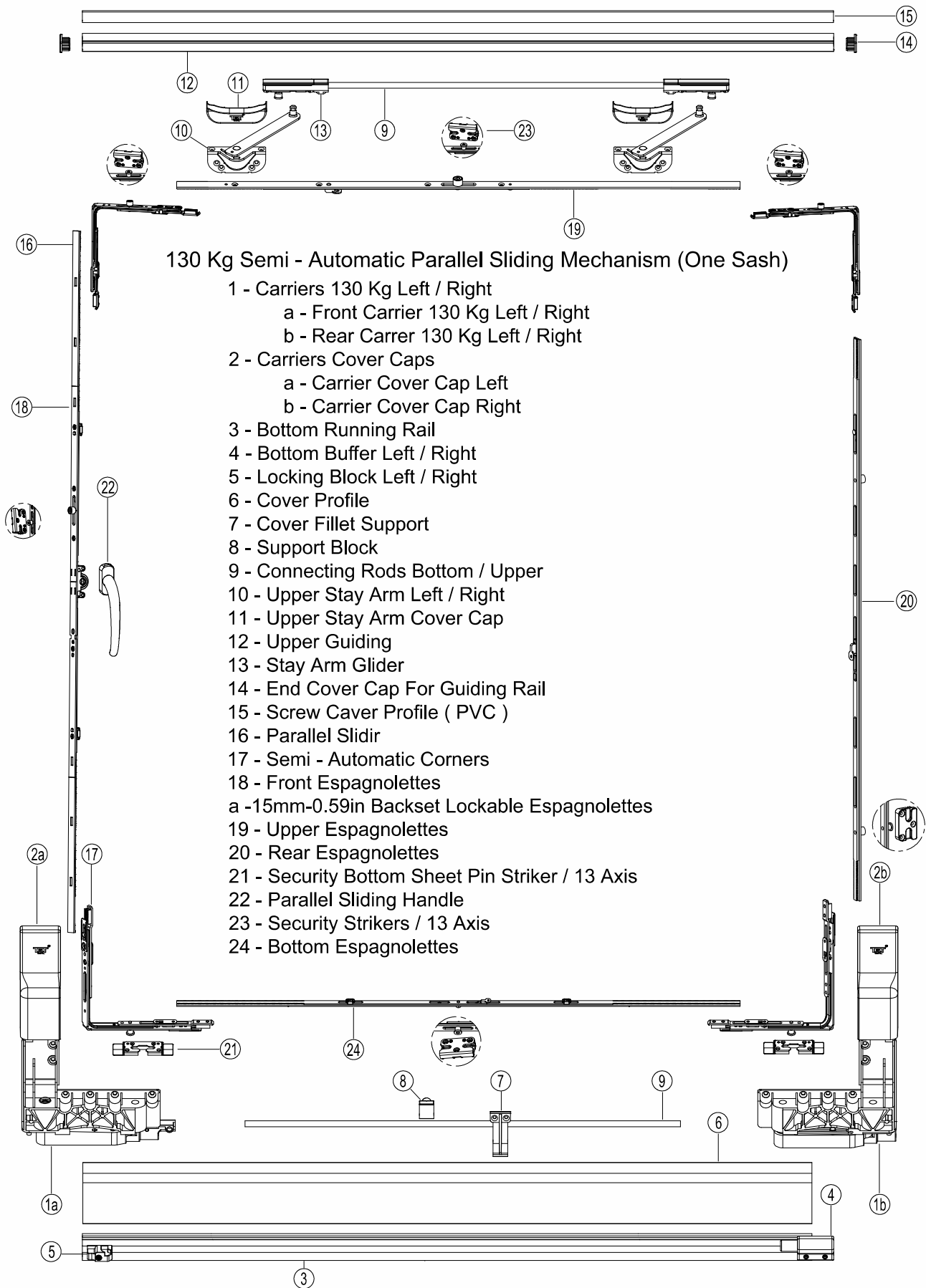
130 Kg Manual Parallel Sliding Mechanism (One Sash)



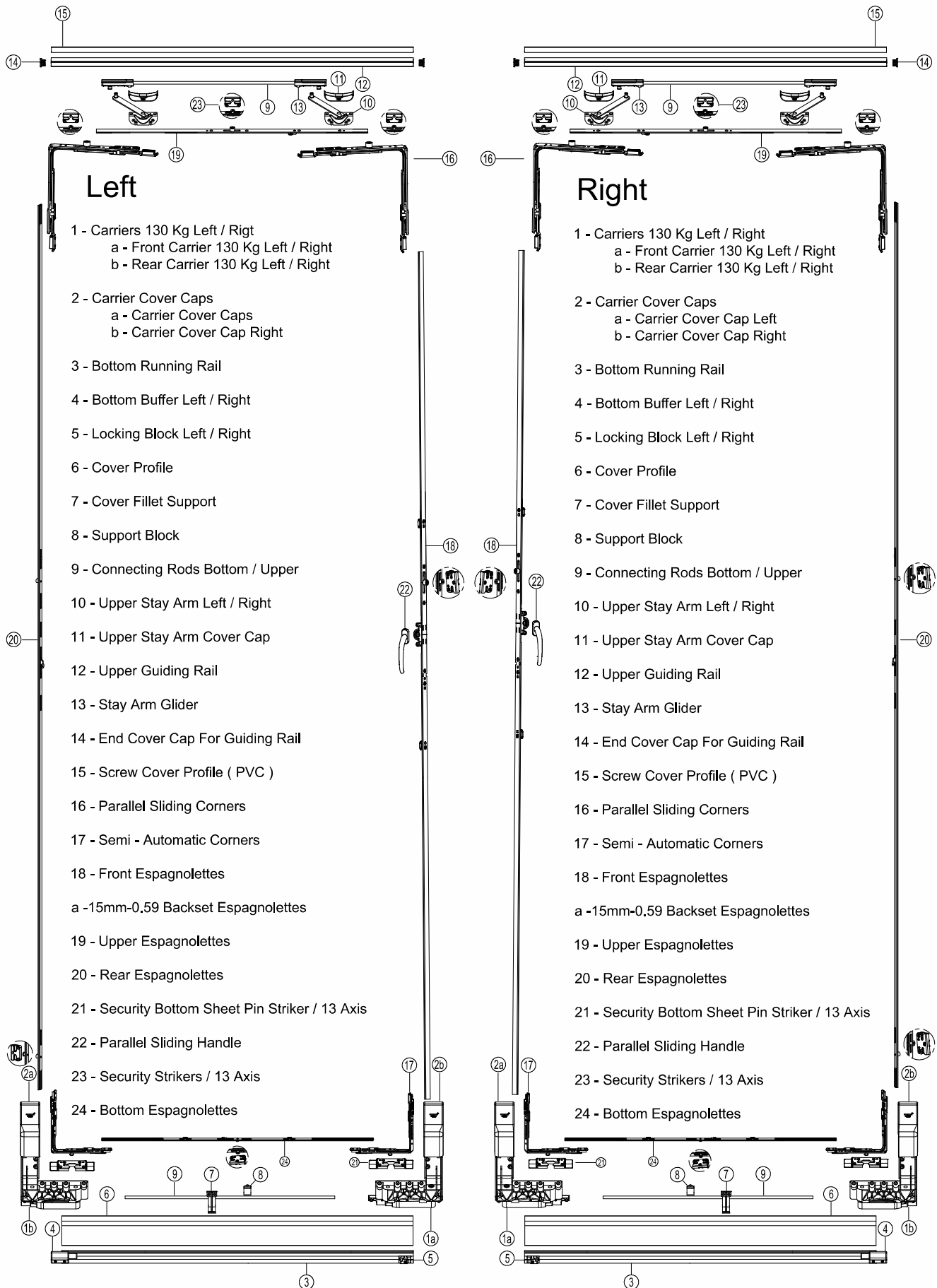
130 Kg Manual Parallel Sliding Mechanism (Double Sash)



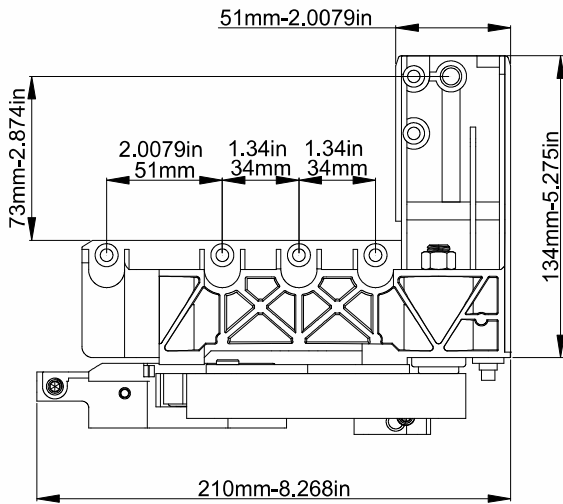
130 Kg Semi - Automatic Parallel Sliding Mechanism (One Sash)



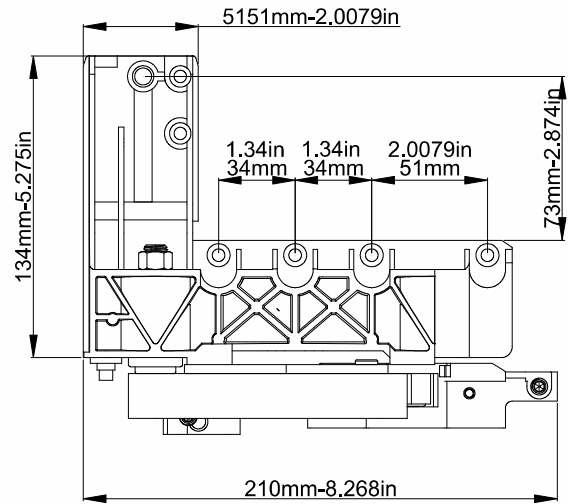
130 Kg Semi-Auomatic Parallel Sliding Mechanism (Double Sash)



Front Carriers



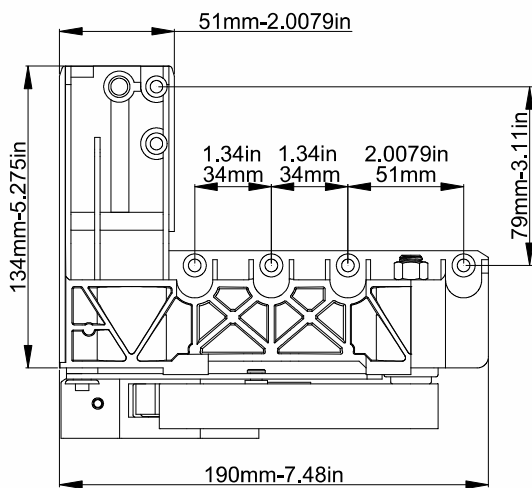
Left



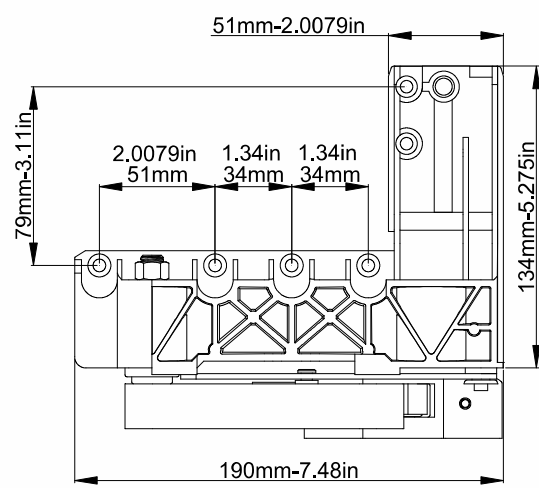
Right

Product Name
Front Carrier 130 Kg Left
Front Carrier 130 Kg Right

Rear Carriers



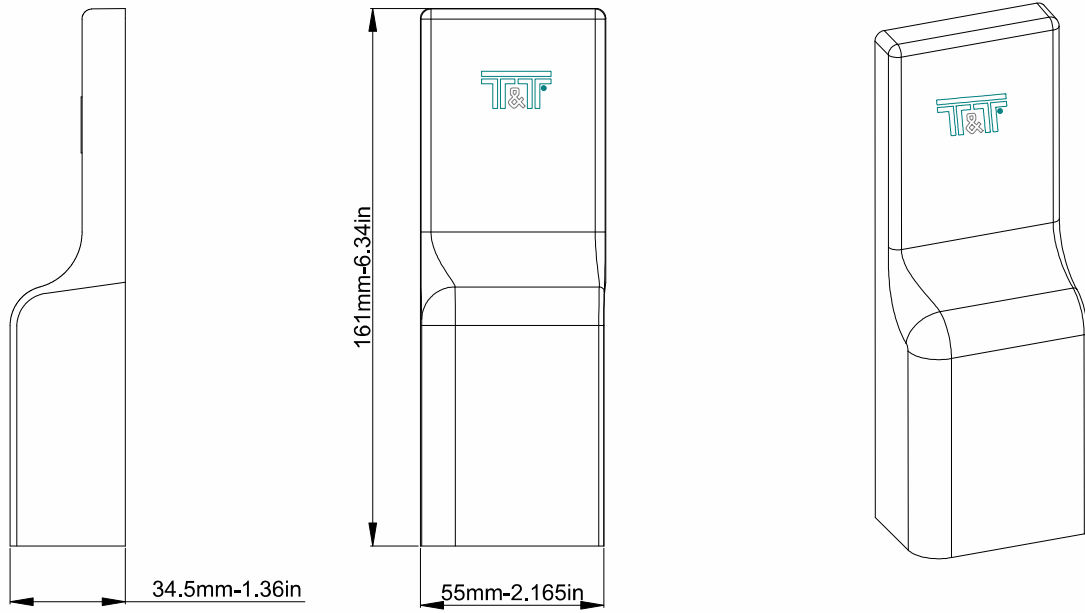
Left



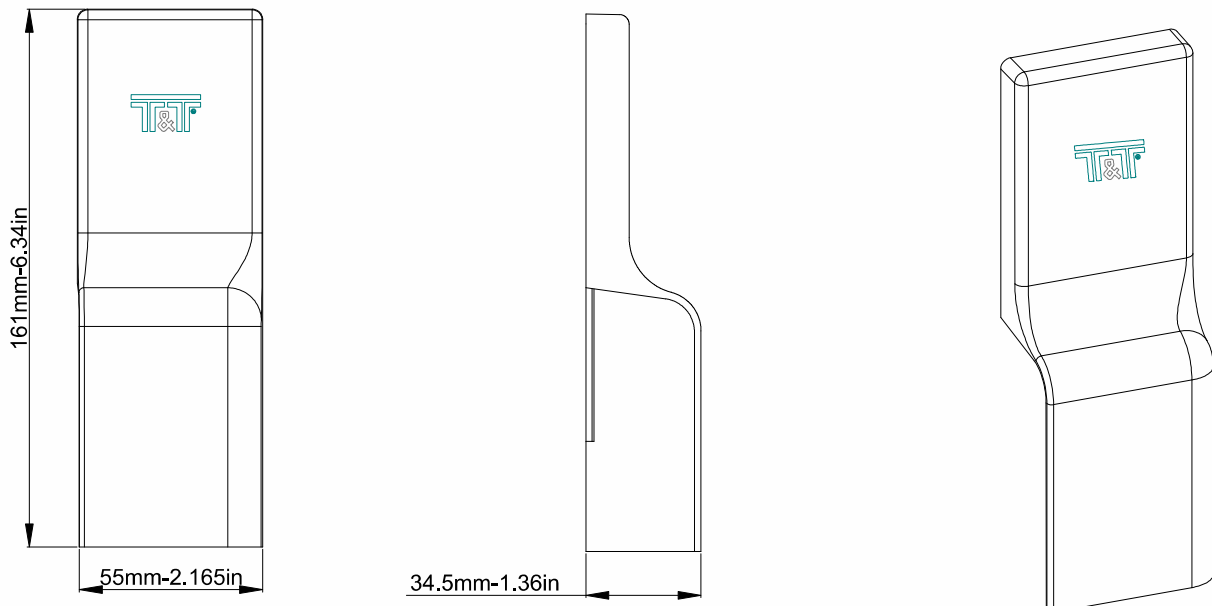
Right

Product Name
Rear Carrier 130 Kg Left
Rear Carrier 130 Kg Right

Carrier Cover Caps



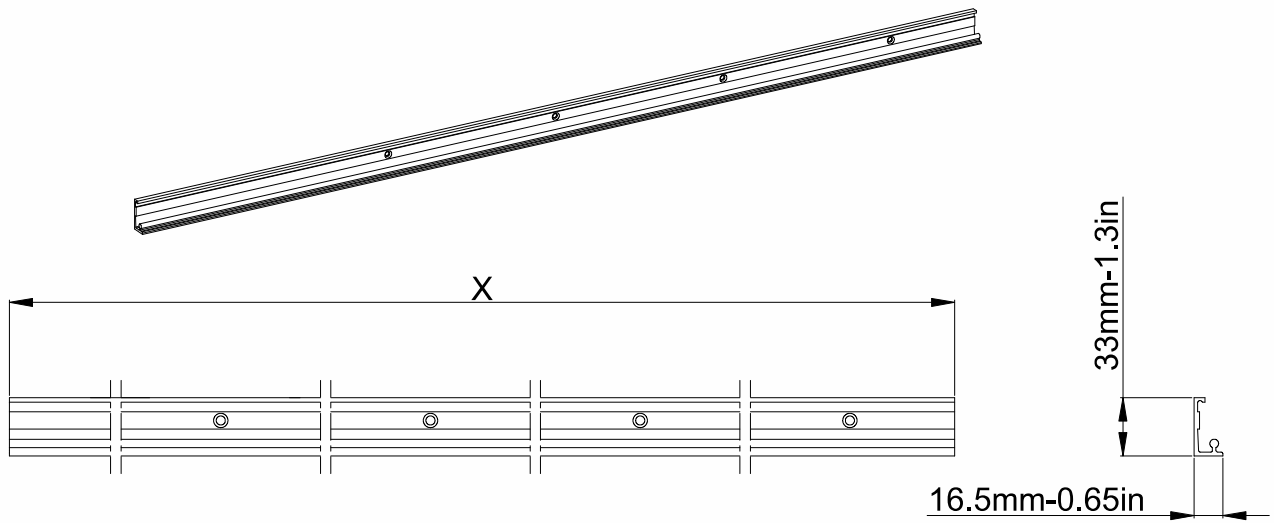
Left



Right

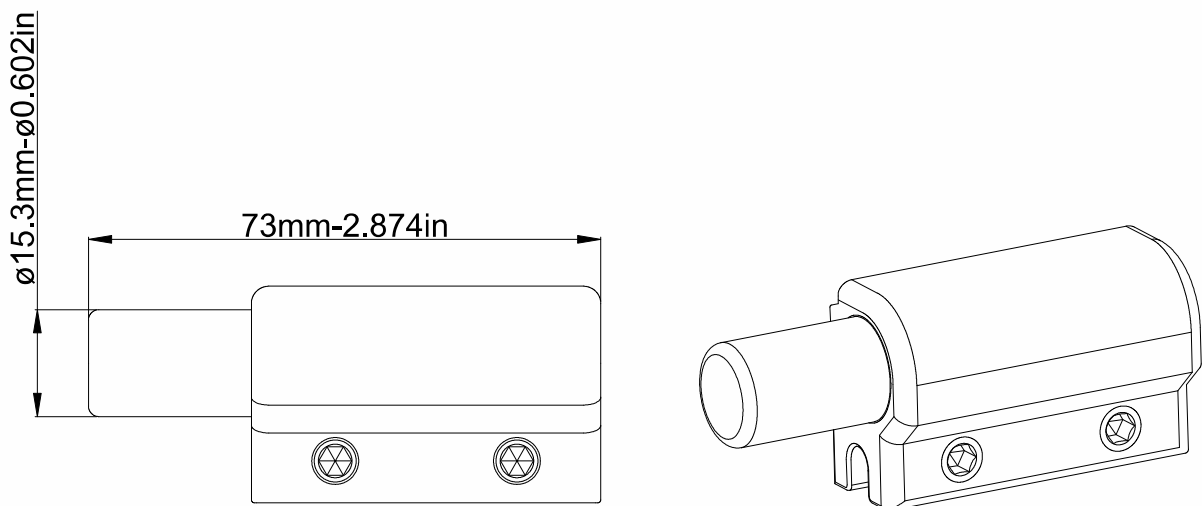
Product Name
Carrier Cover Cap Left
Carrier Cover Cap Right

Bottom Running Rail



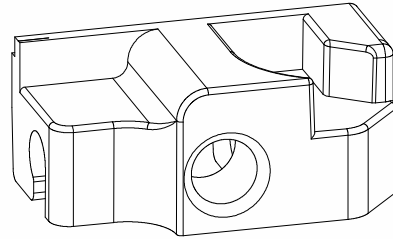
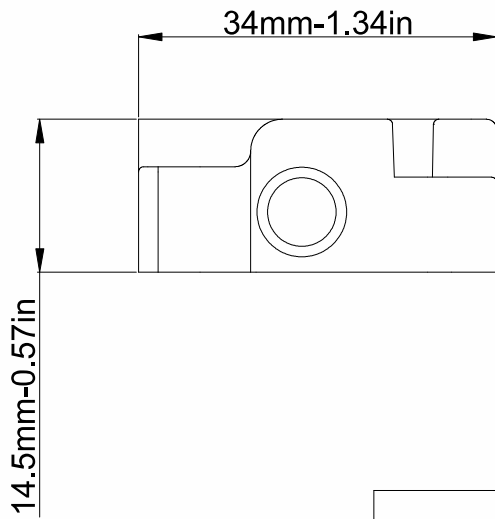
Product Name	X(mm)-(in)
Bottom Running Rail	3000mm-118.11in
Bottom Running Rail	2500mm-98.425in
Bottom Running Rail	2000mm-78.74in

Bottom Buffer



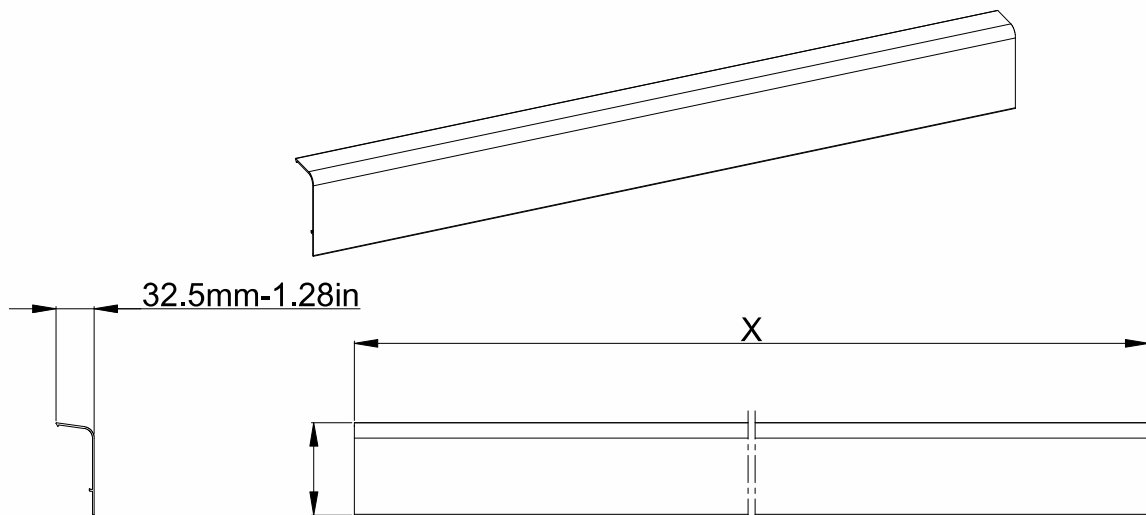
Product Name
Bottom Buffer Right
Bottom Buffer Left

Locking Blocks



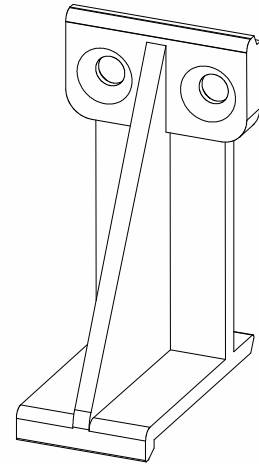
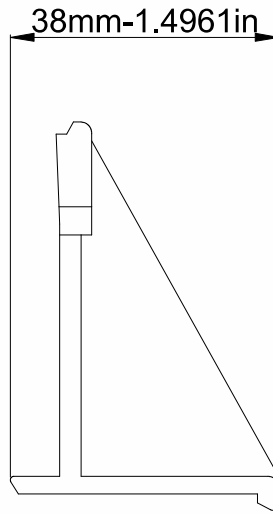
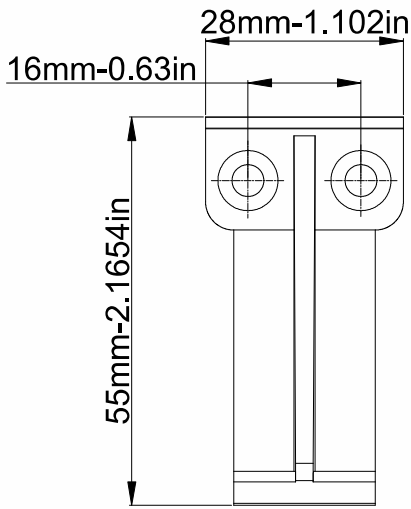
Product Name
Locking Block Left
Locking Block Right

Cover Profile



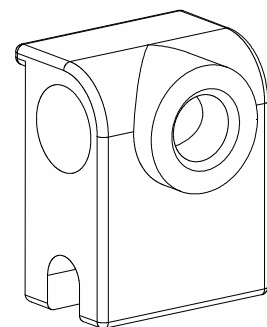
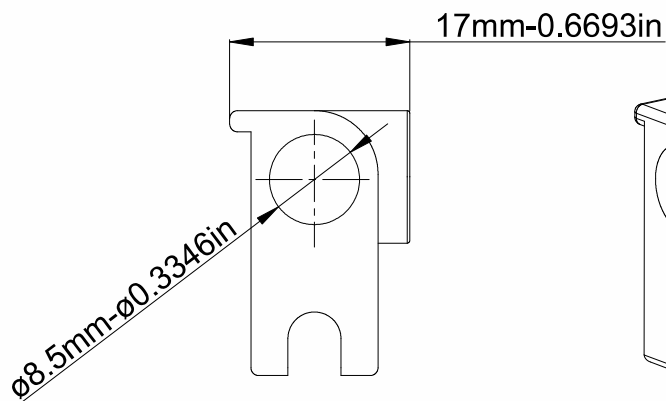
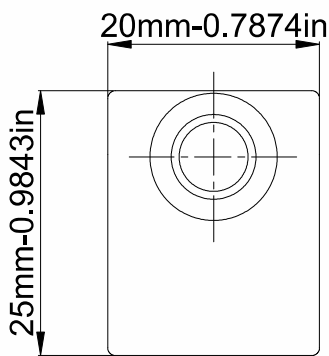
Product Name	X(mm)-(in)
Cover Profile	1500mm-59.0551in
Cover Profile	1250mm-49.2126in
Cover Profile	1000mm-39.3701in

Cover Fillet Support



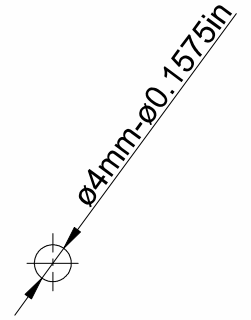
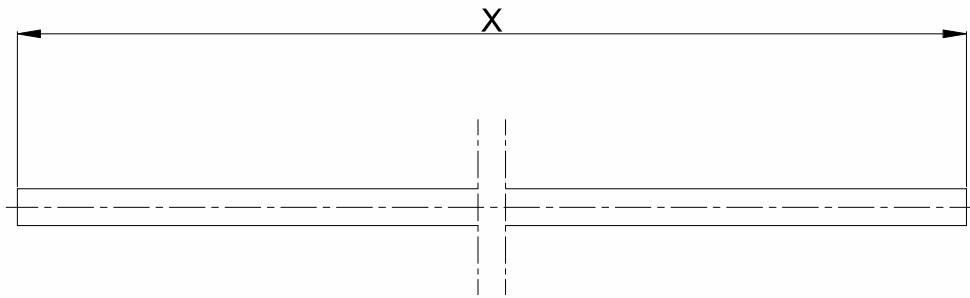
Product Name
Cover Fillet Support

Support Block



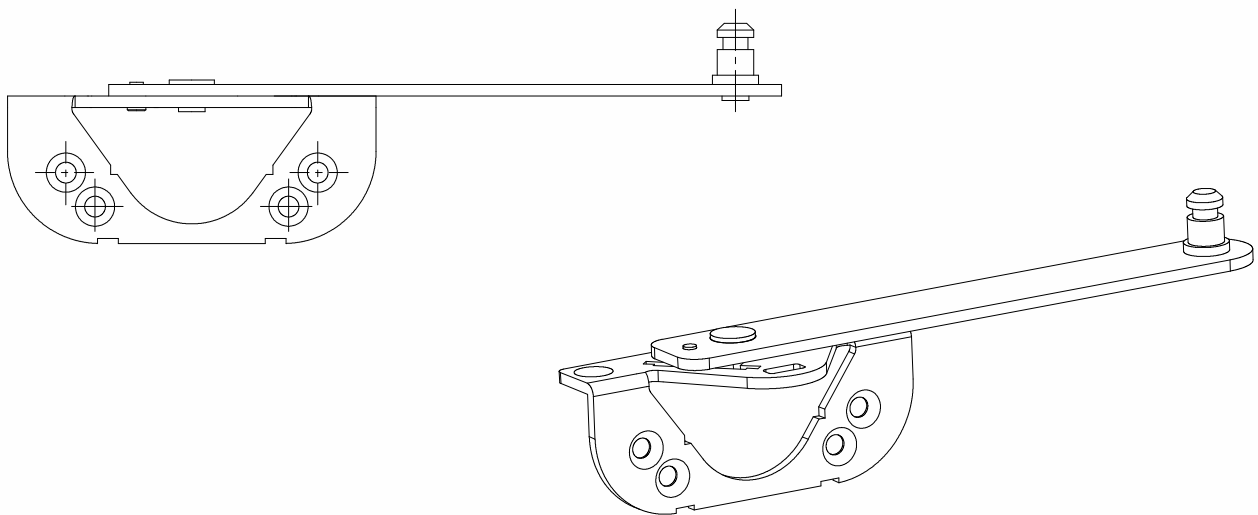
Product Name
Support Block

Connecting Rods



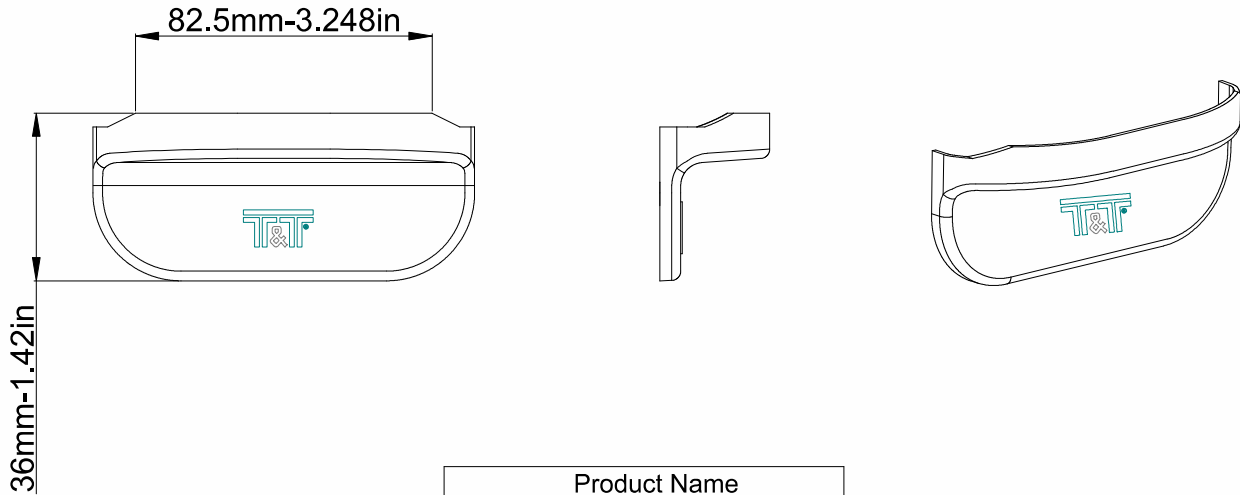
Product Name	X(mm)-(in)
Connecting Road Bottom	1500mm-59.0551in
Connecting Road Bottom	1250mm-49.2126in
Connecting Road Bottom	1000mm-39.3701in
Connecting Road Upper	1500mm-59.0551in
Connecting Road Upper	1250mm-49.2126in
Connecting Road Upper	1000mm-39.3701in

Upper Stay Arms



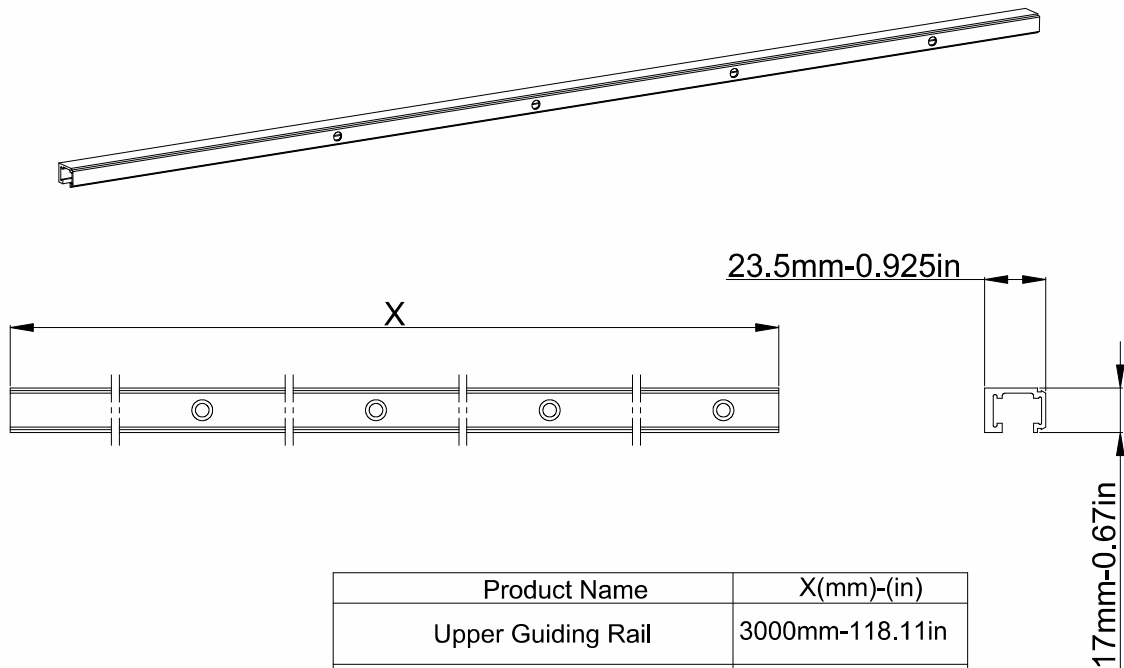
Product Name
Upper Stay Arm Left
Upper Stay Arm Right

Upper Stay Arm Cover Cap



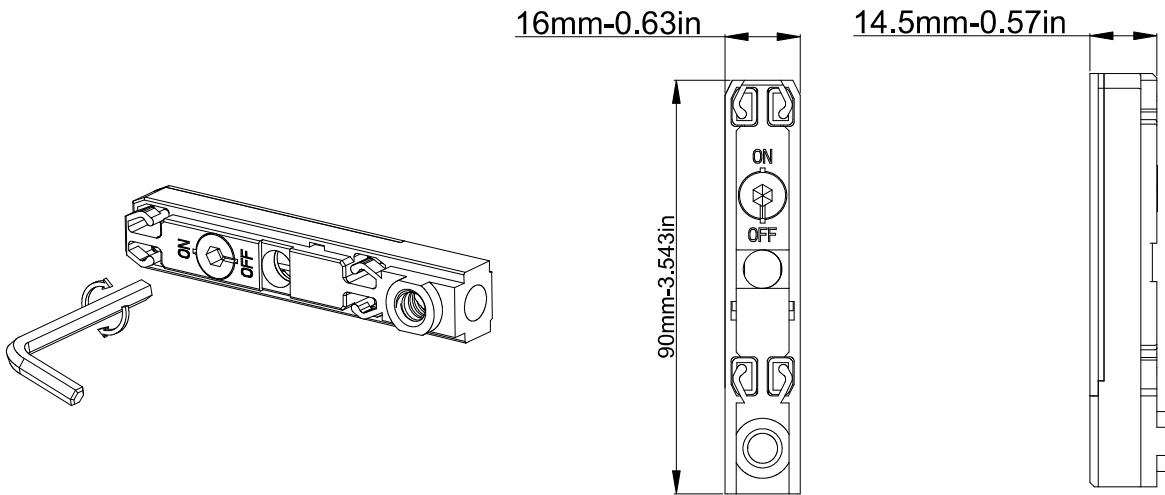
Product Name
Upper Stay Arm Cover Cap

Upper Guiding Rails



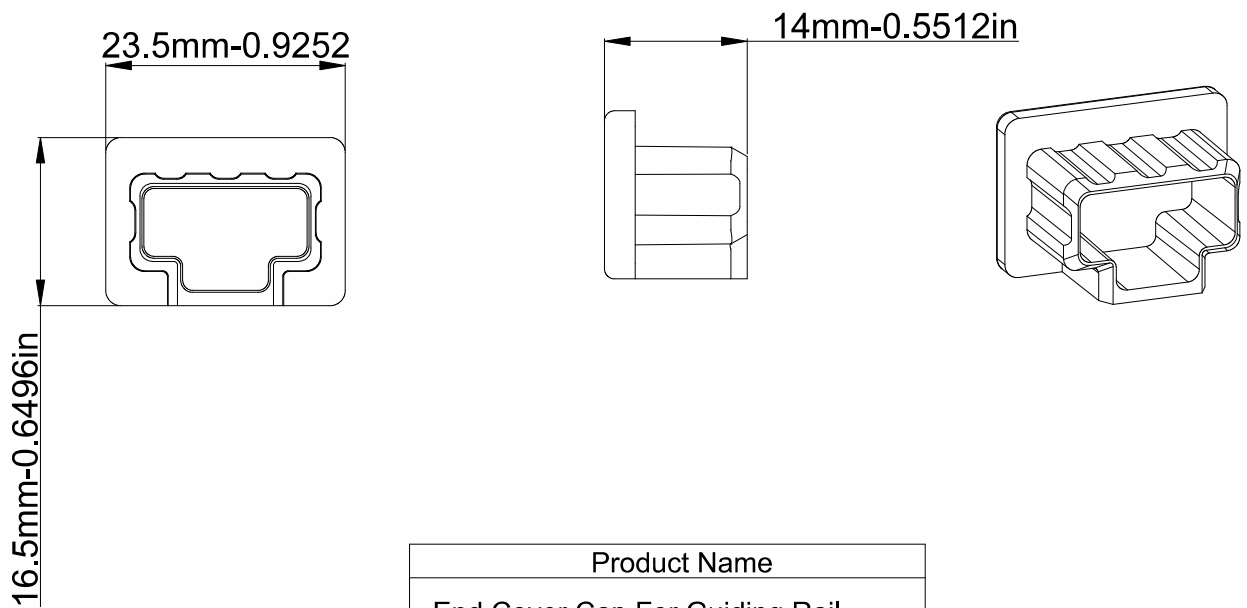
Product Name	X(mm)-(in)
Upper Guiding Rail	3000mm-118.11in
Upper Guiding Rail	2500mm-94.4252in
Upper Guiding Rail	2000mm-98.4252in

Stay Arm Glider



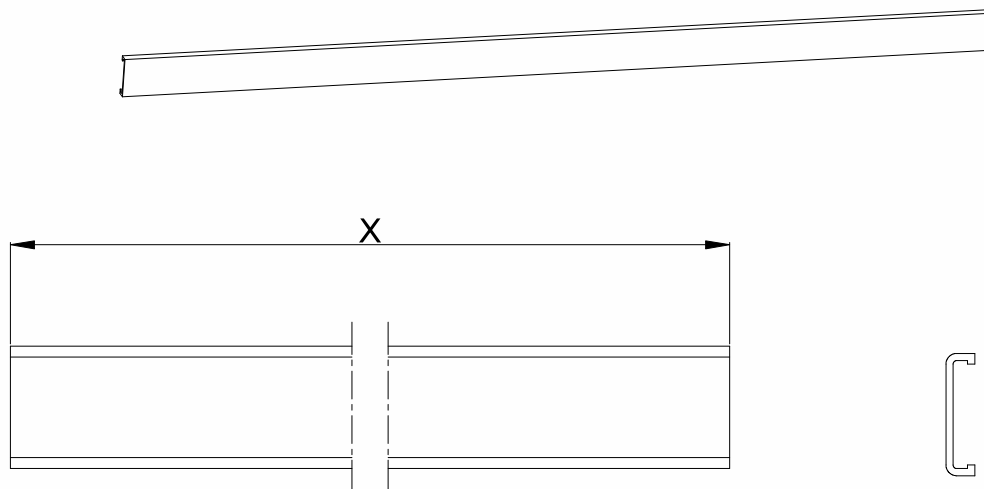
Product Name
Stay Arm Glider

End Cover Cap For Guiding Rail



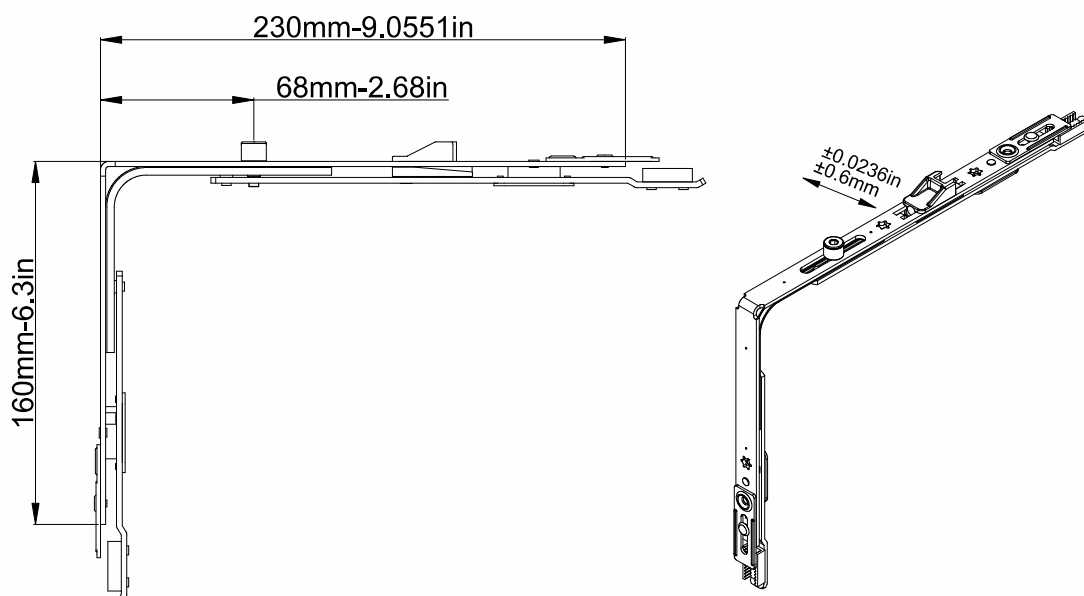
Product Name
End Cover Cap For Guiding Rail



Screw Cover Profile (PVC)



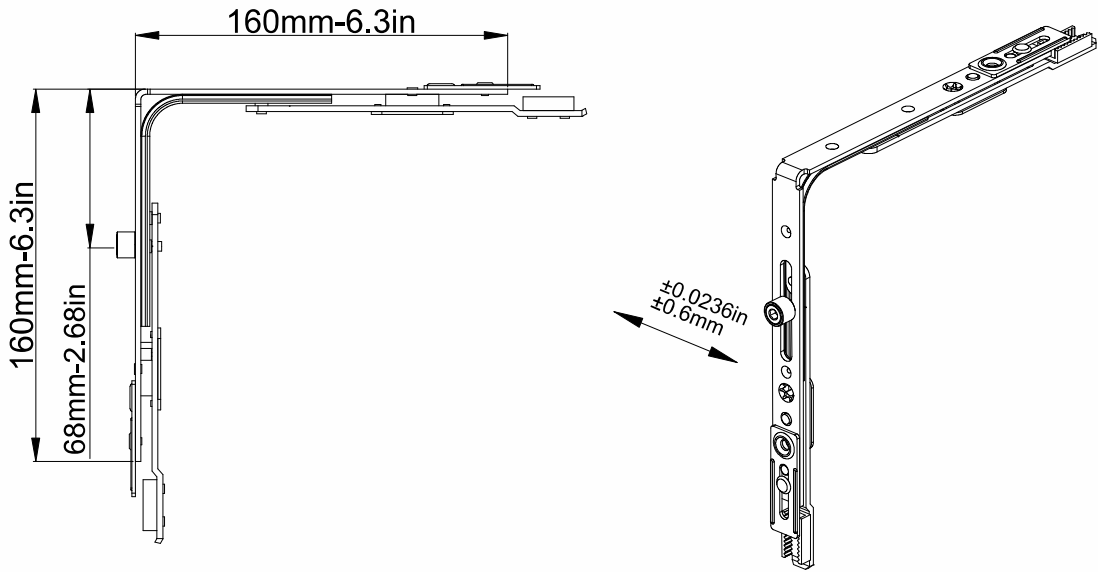
Product Name	X(mm)-(in)
Screw Cover Profile (PVC)	3000mm-118.11in


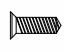
Semi - Automatic Corner 160x230/1P



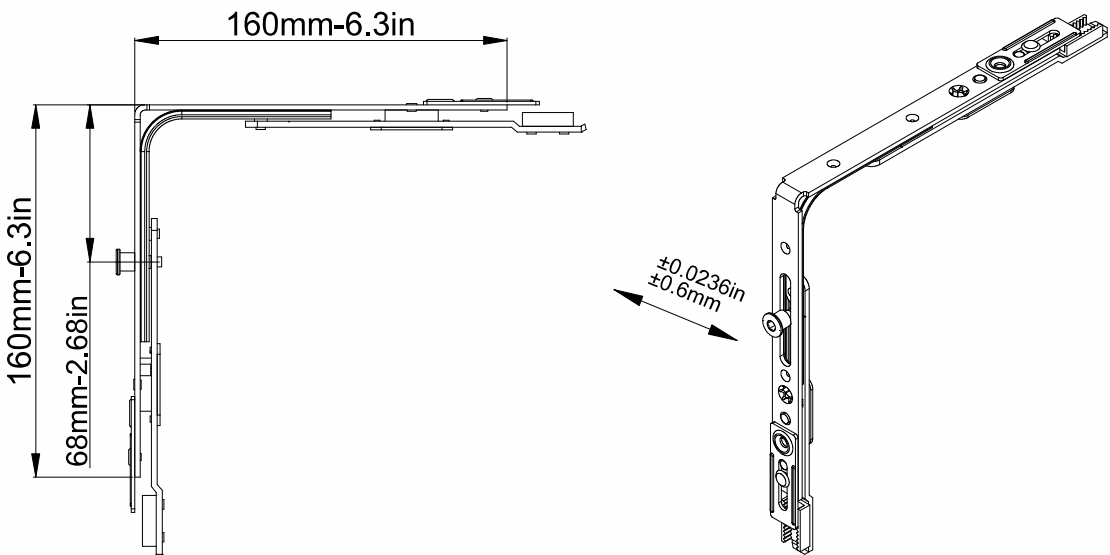
Product Code	Product Name		
P70106	Semi - Automatic Corner 160x230mm-6.3x9.551in/1P Rear	1	3
P70111	Semi - Automatic Corner 160x230mm-6.3x9.551in/1P Front	1	3



Parallel Sliding Corner 160x160 / 1P



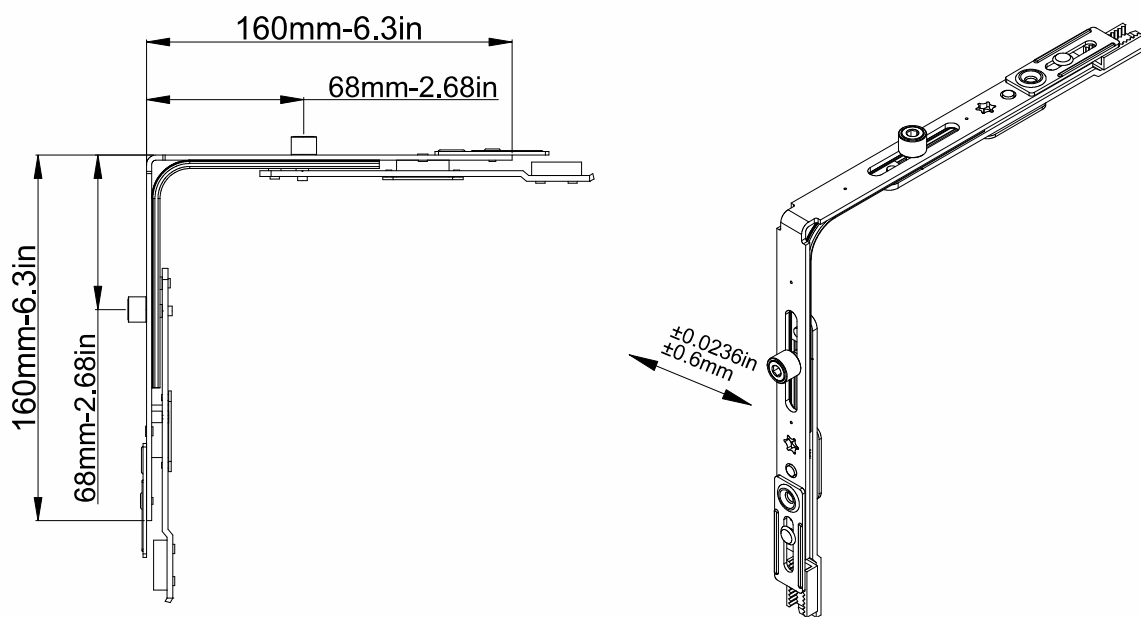
Product Code	Product Name		
P70133	Corner 160x160mm-6.3x6.3in / 1P	1	4



Parallel Sliding Corner 160x160 / 1SP



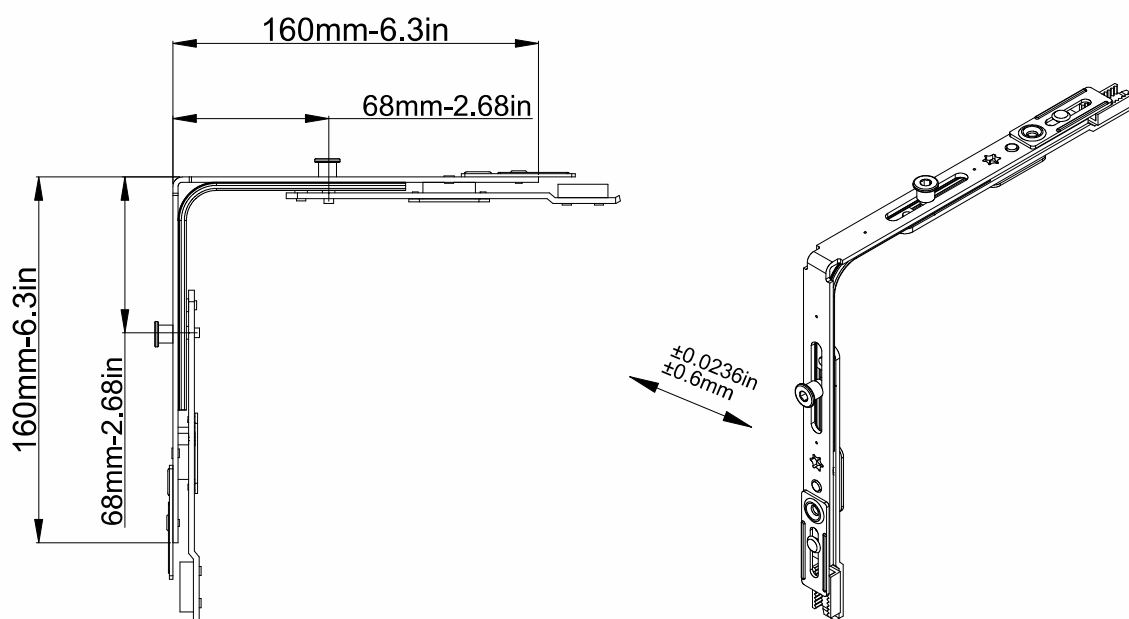
Product Code	Product Name		
P70135	Corner 160x160mm-6.3x6.3in / 1SP	1	4



Parallel Sliding Corner 160x160 / 2P



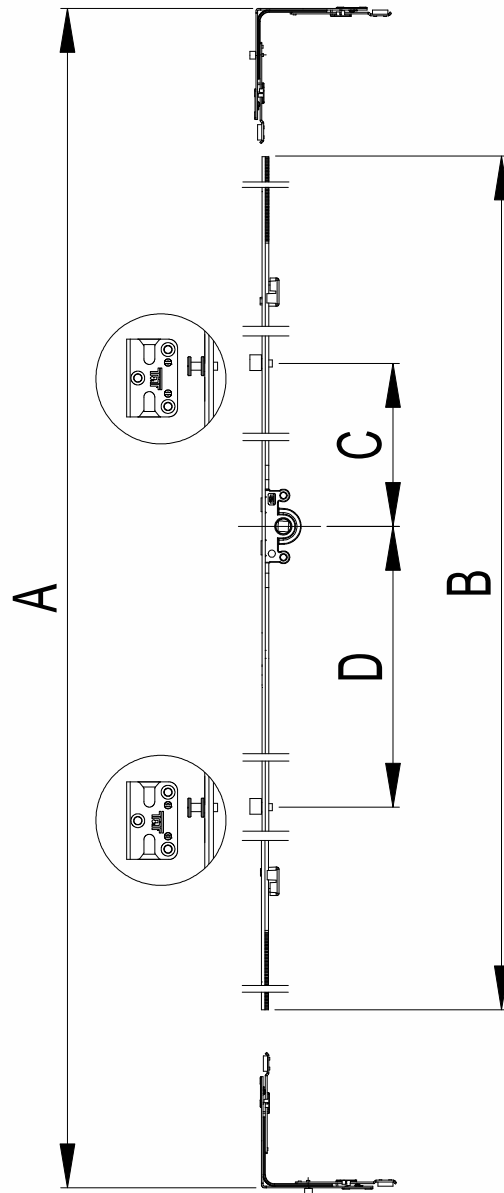
Product Code	Product Name		
P70134	Corner 160x160mm-6.3x6.3in / 2P	2	2



Parallel Sliding Corner 160x160 / 2SP



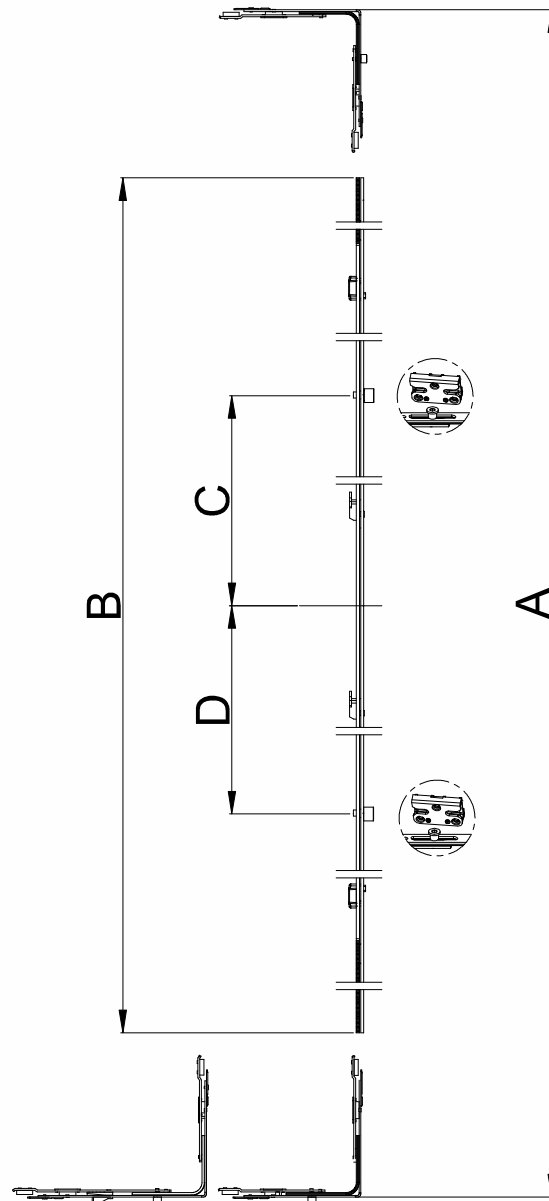
Product Code	Product Name		
P70136	Corner 160x160mm-6.3x6.3in / 2SP	2	2

15mm Backset Front Espagnolettes



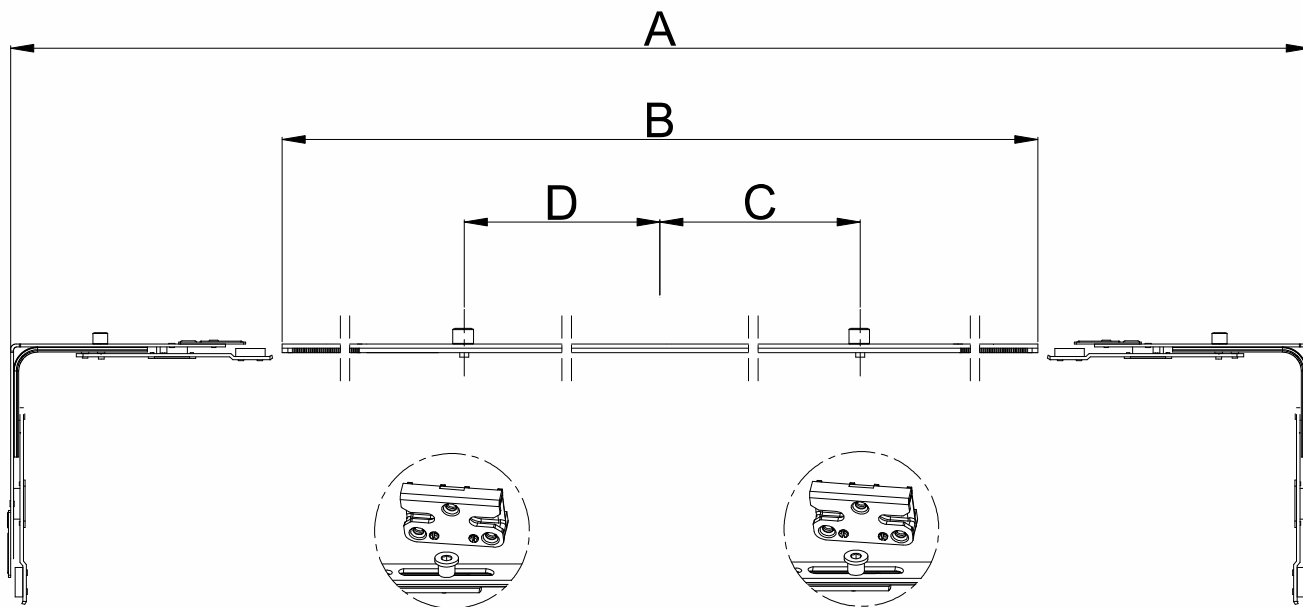
Product Code	Product Name	A(mm)	B(mm)	C(mm)	D(mm)		
P70129	Front Esp. 15mm-0.59in Backset 750-1250mm 29.52-49.21in	750-1250mm 29.52-49.21in	930mm 36.61in	115mm 4.53in	-	1	3
P70146	Front Esp. 15mm-0.59in Backset 750-1250mm 29.52-49.21in/SP	750-1250mm 29.52-49.21in	930mm 36.61in	115mm 4.53in	-	1	3
P70130	Front Esp. 15mm-0.59in Backset 950-1450mm 37.40-57.09in	950-1450mm 37.40-57.09in	1130mm 44.49in	115mm 4.53in	-	1	5
P70147	Front Esp. 15mm-0.59in Backset 950-1450mm 37.40-57.09in/SP	950-1450mm 37.40-57.09in	1130mm 44.49in	115mm 4.53in	-	1	5
P70131	Front Esp. 15mm-0.59in Backset 1400-1900mm 55.12-74.80in	1400-1900mm 55.12-74.80in	1580mm 62.20in	350mm 13.78in	330mm 12.99in	2	6
P70148	Front Esp. 15mm-0.59in Backset 1400-1900mm 55.12-74.80in/SP	1400-1900mm 55.12-74.80in	1580mm 62.20in	350mm 13.78in	330mm 12.99in	2	6
P70132	Front Esp. 15mm-0.59in Backset 1900-2400mm 74.80-94.49in	1900-2400mm 74.80-94.49in	2080mm 81.89in	350mm 13.78in	330mm 12.99in	2	8
P70149	İspanyolet 15mm-0.59in Eksen 1900-2400mm 74.80-94.49in/SP	1900-2400mm 74.80-94.49in	2080mm 81.89in	350mm 13.78in	330mm 12.99in	2	8

Rear Espagnolettes



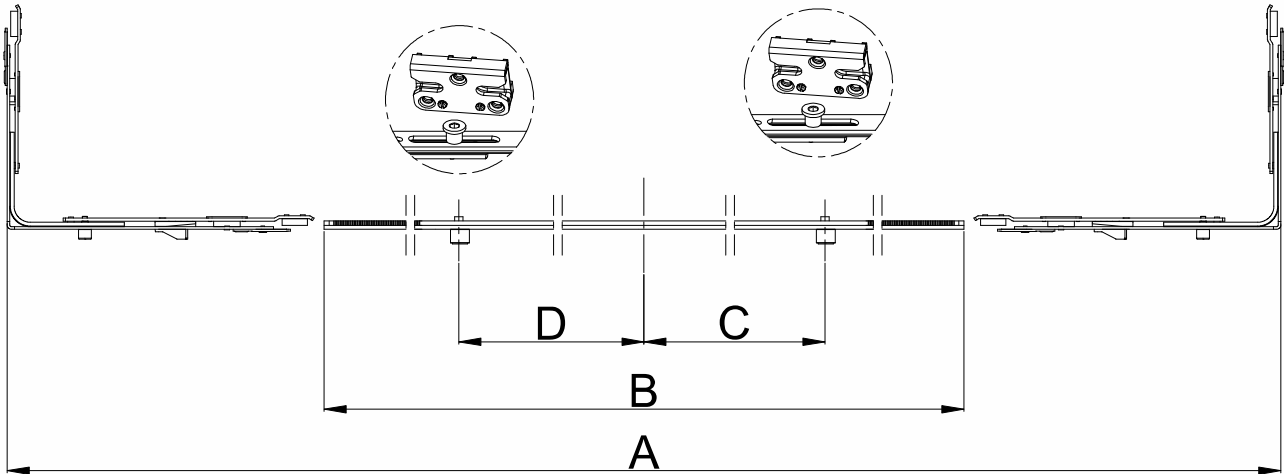
Product Code	Product Name	A(mm)	B(mm)	C(mm)	D(mm)		
P70007	Rear Espagnolette 750-1250mm 29.52-49.21in	750-1250mm 29.52-49.21in	930mm 36.61in	115mm 0.59in	-	1	5
P70157	Rear Espagnolette 750-1250mm 29.52-49.21in/SP	750-1250mm 29.52-49.21in	930mm 36.61in	115mm 0.59in	-	1	3
P70008	Rear Espagnolette 950-1450mm 37.40-57.09in	950-1450mm 37.40-57.09in	1130mm 44.49in	115mm 0.59in	-	1	6
P70158	Rear Espagnolette 950-1450mm 37.40-57.09in/SP	950-1450mm 37.40-57.09in	1130mm 44.49in	115mm 0.59in	-	1	6
P70009	Rear Espagnolette 1400-1900mm 55.12-74.80in	1400-1900mm 55.12-74.80in	1580mm 62.20in	215mm 8.4646in	330mm 12.99in	2	7
P70159	Rear Espagnolette 1400-1900mm 55.12-74.80in/SP	1400-1900mm 55.12-74.80in	1580mm 62.20in	215mm 8.4646in	330mm 12.99in	2	7
P70010	Rear Espagnolette 1900-2400mm 74.80-94.49in	1900-2400mm 74.80-94.49in	2080mm 81.89in	400mm 15.75in	400mm 12.99in	2	9
P70160	Rear Espagnolette 1900-2400mm 74.80-94.49in/SP	1900-2400mm 74.80-94.49in	2080mm 81.89in	400mm 15.75in	400mm 12.99in	2	9


Upper Espagnolettes



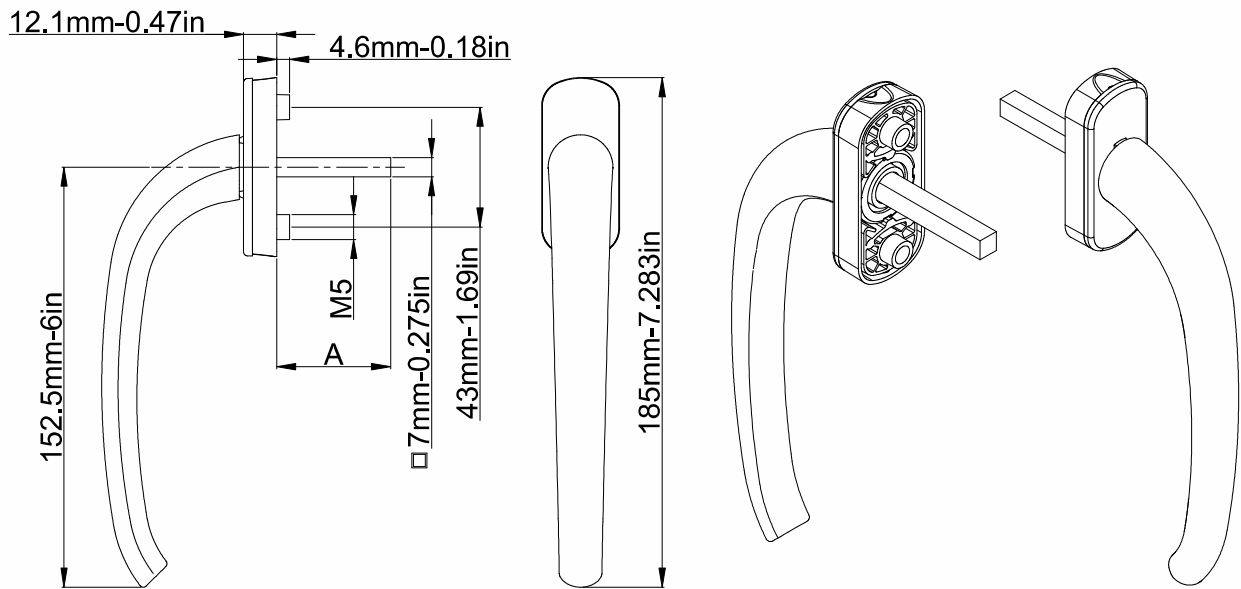
Product Code	Product Name	A(mm)	B(mm)	C(mm)	D(mm)		
P70004	Upper Espagnolette 620-750mm24.41-29.52in	620-750mm 24.41-29.52in	430mm 16.93in	-	-	1	2
P70154	Upper Espagnolette 620-750mm24.41-29.52in/SP	620-750mm 24.41-29.52in	430mm 16.93in	-	-	1	2
P70005	Upper Espagnolette 750-1250mm-29.52-49.21in	750-1250mm 29.52-49.21in	930mm 36.61in	0	-	1	4
P70155	Upper Espagnolette 750-1250mm-29.52-49.21in/SP	750-1250mm 29.52-49.21in	930mm 36.61in	0	-	1	4
P70006	Upper Espagnolette 1250-1650mm-49.21-64.96in	1250-1650mm 49.21-64.96in	1330mm 52.36in	0	-	1	6
P70156	Upper Espagnolette 1250-1650mm-49.21-64.96in/SP	1250-1650mm 49.21-64.96in	1330mm 52.36in	0	-	1	6

Semi-Automatic Bottom Espagnolettes



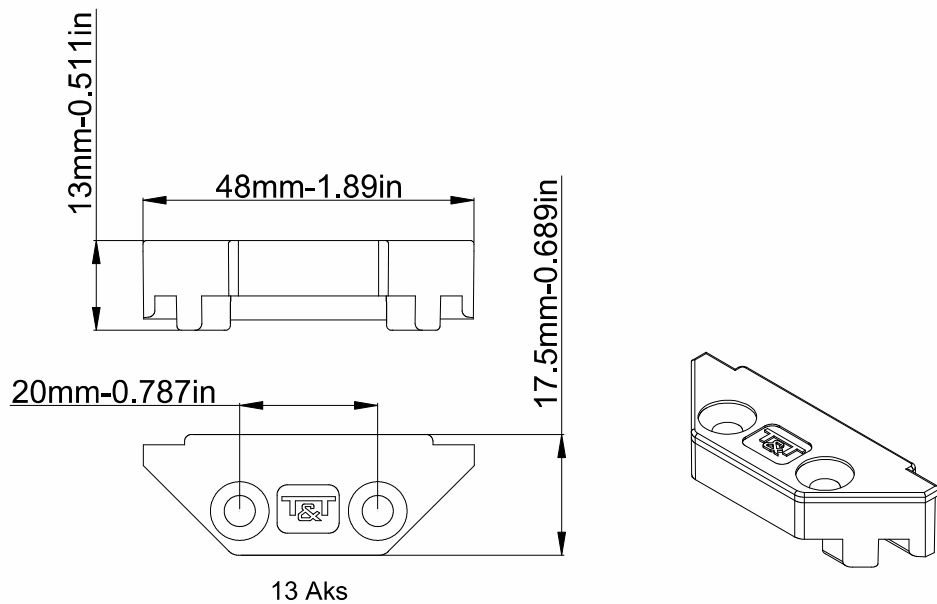
Product Code	Product Name	A(mm)	B(mm)	C(mm)	D(mm)		
P70124	Semi-Automatic Bottom Espagnolette 620-750mm/24.41-29.52in	620-750mm 24.41-29.52in	290mm 11.42in	-	-	-	1
P70143	Semi-Automatic Bottom Espagnolette 620-750mm/24.41-29.52in/SP	620-750mm 24.41-29.52in	290mm 11.42in	-	-	-	1
P70125	Semi-Automatic Bottom Espagnolette 750-1250mm-29.52-49.21in	750-1250mm 29.52-49.21in	790mm 31.102in	0	0	1	2
P70144	Semi-Automatic Bottom Espagnolette 750-1250mm-29.52-49.21in/SP	750-1250mm 29.52-49.21in	790mm 31.102in	0	0	1	2
P70126	Semi-Automatic Bottom Espagnolette 1250-1650mm-49.21-64.96in	1250-1650mm 49.21-64.96in	1190mm 46.85in	0	0	1	4
P70145	Semi-Automatic Bottom Espagnolette 1250-1650mm-49.21-64.96in/SP	1250-1650mm 49.21-64.96in	1190mm 46.85in	0	0	1	4

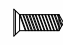
Parallel Sliding Handle



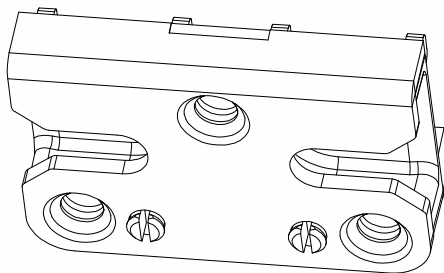
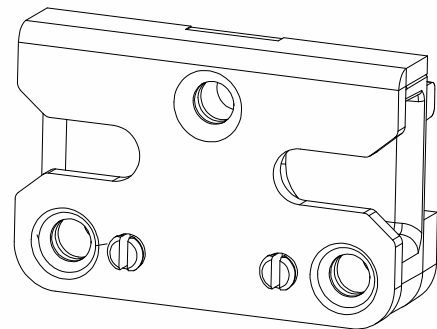
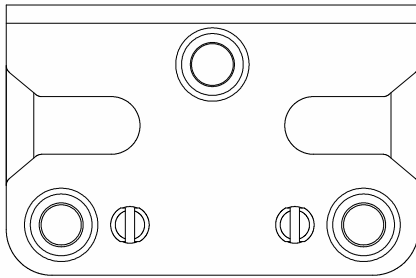
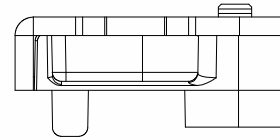
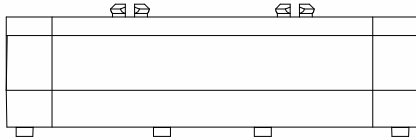
Product Code			Product Name
Ral 9016	Ral 8019	Ral 8003	
P70115	P70116	P70117	Parallel Sliding Elliptical Body Handle
P70118	P70119	P70120	Parallel Sliding Rectangle Body Handle
P70121	P70122	P70123	Parallel Sliding Oval Body Handle


Semi - Automatic Bottom Strikers



Product Code	Product Name	
P70072	Semi - Automatic Bottom Strikers 13 Axis	2

Security Strikers 13 Axis



Product Code	Product Name	
P58037	Security Strikers 13 Axis	2

Assembly Applications 1st Step

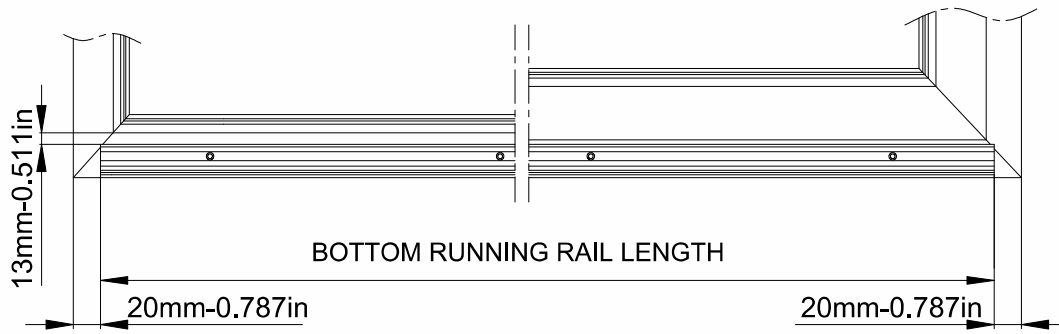


FIGURE.1

DEFINING LENGTH OF BOTTOM RUNNING RAIL AND ASSEMBLY THERE OF

- a- Cut length of bottom running rail equal to that 40mm-1.574in shorter than frame length as shown in Figure.1
- b- Adjust bottom running rail as to be 20mm-0.787in shorter on each external edge of frame by using Z Rail Assembly Jig, then screw through the fitting part as shown in Figure.2

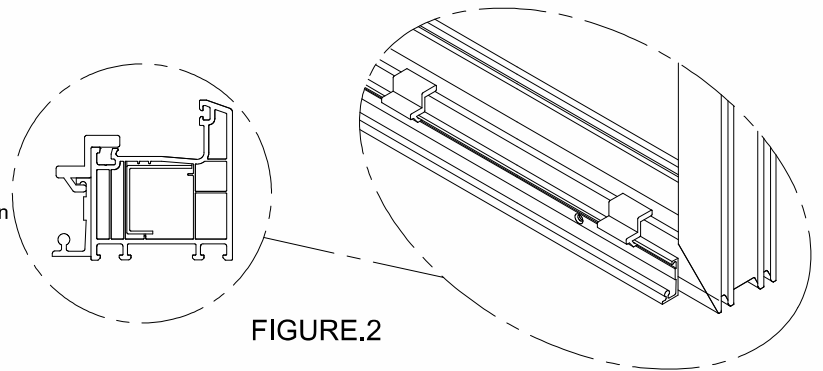


FIGURE.2

Assembly Applications 2nd Step

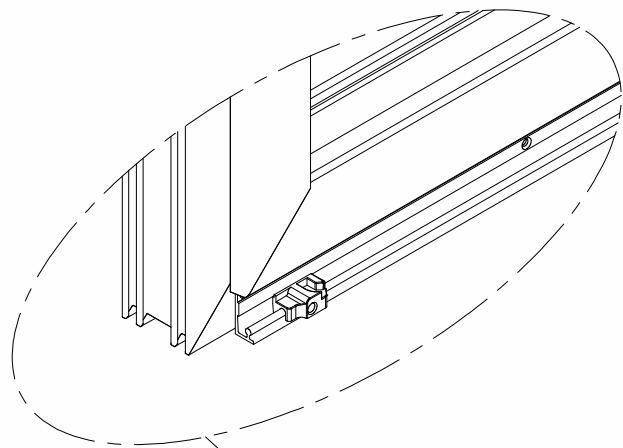
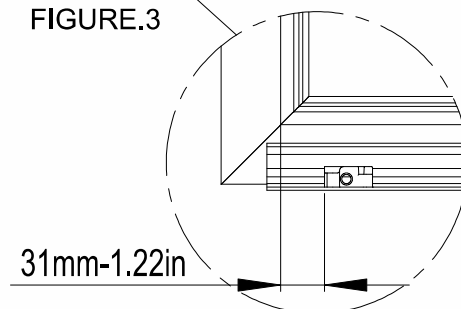


FIGURE.3

- ASSEMBLY OF LOCKING BLOCK :
- a- Assemble locking block (left / right) in closing direction of sash, at 31mm-1.22in inward from internal angle of frame by using 4 allen wrench. as shown in Figure.3.
 - b- After completion of all assembly works of profile, perform final control of locking.



31mm-1.22in

Assembly Applications 3rd Step

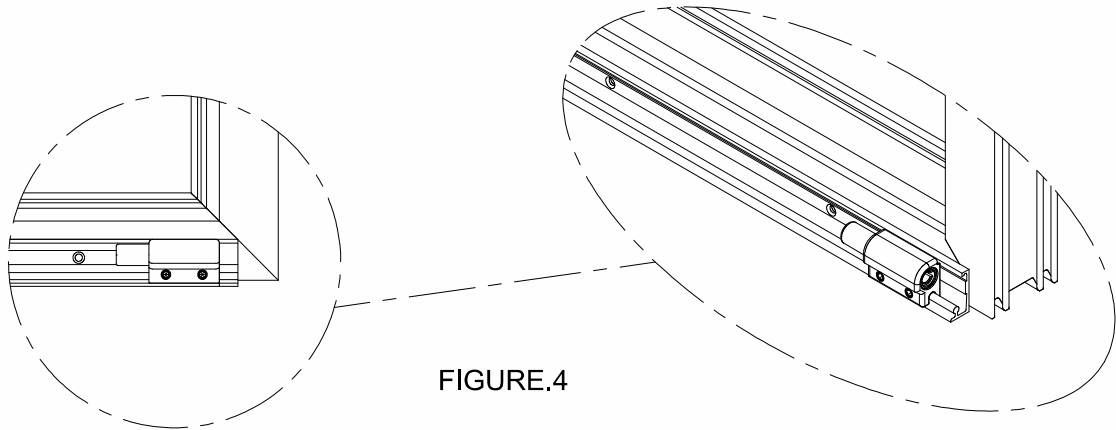


FIGURE.4

ASSEMBLY OF BOTTOM BUFFER:

- a- Conduct adjustment of bottom buffer (left / right) suitable to opening width of sash as you desire, then assemble by using 4 allen wrench as shown in Figure.4.

Assembly Applications 4th Step

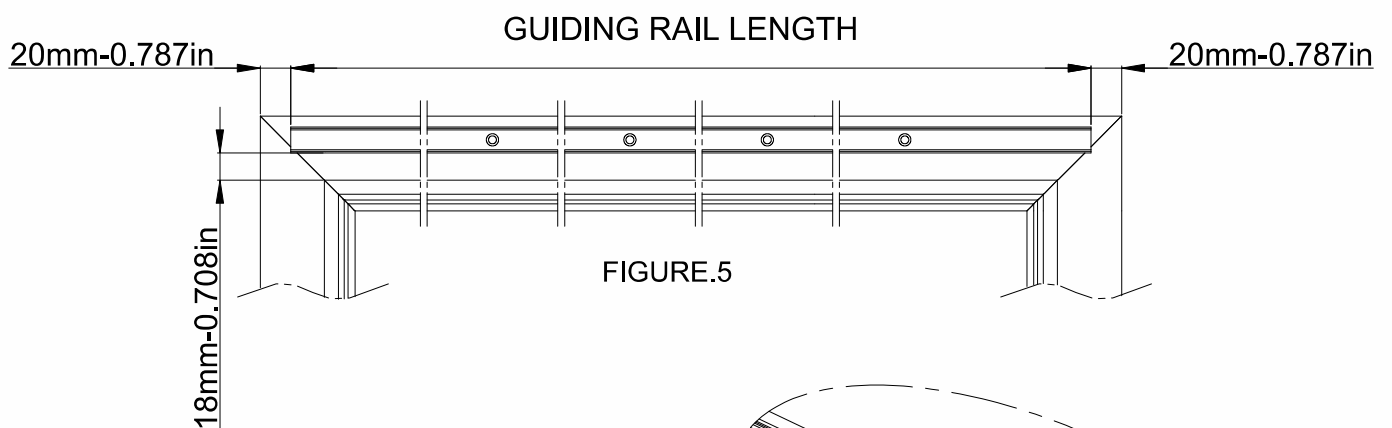


FIGURE.5

DEFINING LENGTH OF GUIDING RAIL AND ASSEMBLY THERE OF :

- a- Cut length of guiding rail equal to that 40mm-1.574in shorter than frame length as shown in Figure.5.
- b- Adjust guiding rail as to be 20mm-0.787in shorter on each external edge of frame with sash in close position by using T rail assembly jig, then screw through the fitting part as shown in Figure.6.
- c- Cut screw cover profile with same length as rail and mount in place.

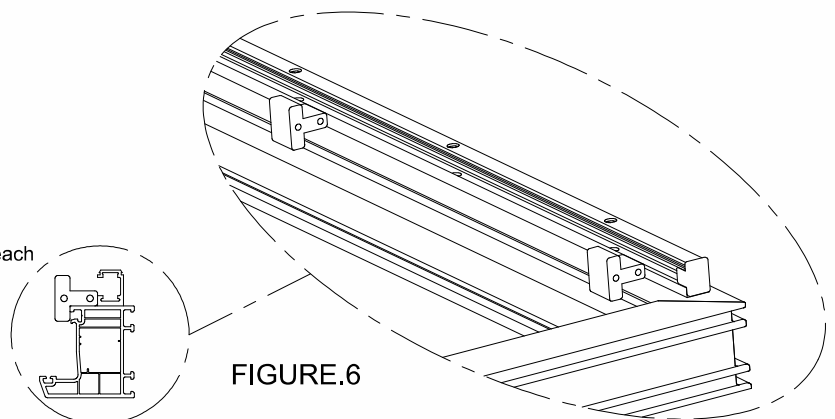
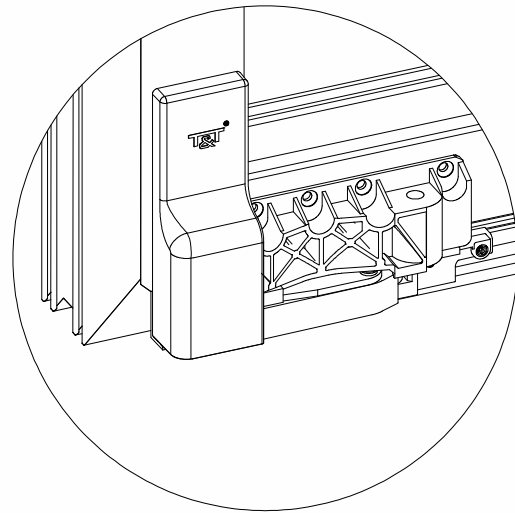


FIGURE.6

Assembly Applications 5th Step



ASSEMBLY OF FRONT AND REAR CARRIER:

- a- Align front and rear carriers (without removing plastic caps) with the edges of sash side
- b- Keeping the position as above, set bottom lugs of carriers against bottom part of sash and screw where they befit
- c- Remove plastic caps of front and rear carriers and screw the remaining holes as shown in Figure.7.

FIGURE.7

Assembly Applications 6th Step

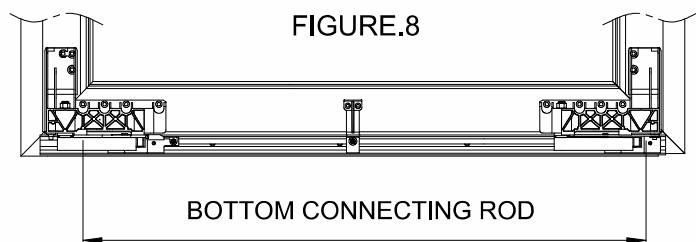


FIGURE.8

CALCULATING THE LENGTH OF BOTTOM CONNECTING ROD
 BOTTOM CONNECTING ROD = SASH LENGTH - 290mm-11.417in

ASSEMBLY OF BOTTOM CONNECTING ROD

- a- Calculate rod length by means of the formulation in Figure.8 and cut pursuant to the measure obtained.
- a- Fit the support block on the rod as shown in Figure.9, set the rod in its places on the front and rear carriers and turn to closed position.
- c- Check whether two parts are parallel to each other then assemble by using 4 allen wrench.
- d- Screw the cover fillet support as to place at the middle of carriers.

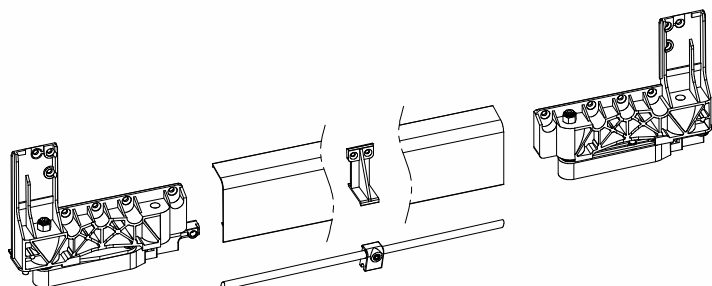


FIGURE.9

Assembly Applications 7th Step

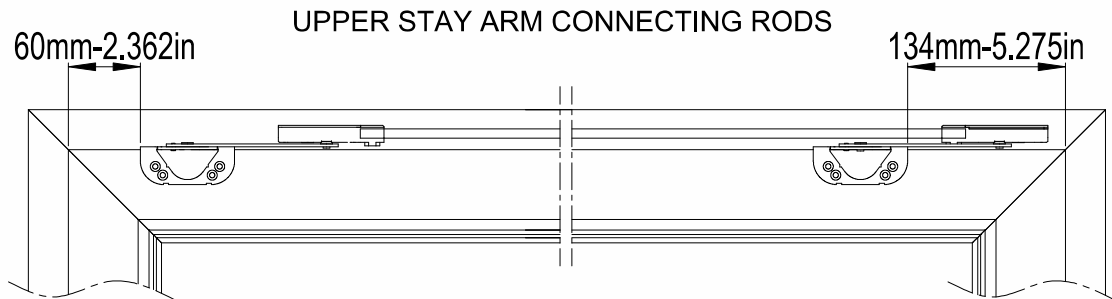


FIGURE.10

ASSEMBLY OF UPPER STAY ARMS

- a- Assemble upper stay arms in place in accordance with the measures in Figure.10.

Assembly Applications 8th Step

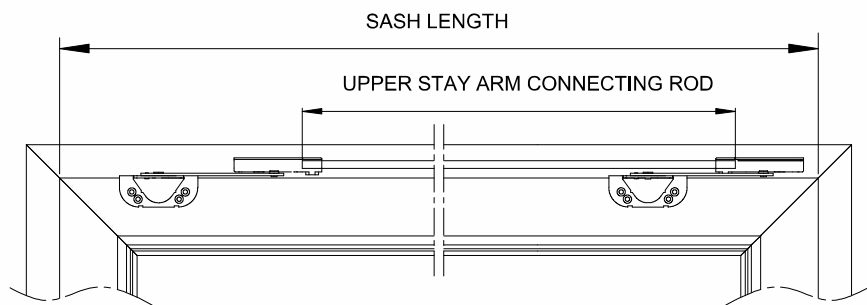


FIGURE.11

CALCULATING THE LENGTH OF UPPER STAY ARM CONNECTING ROD
 $UPPER\ STAY\ ARM\ CONNECTING\ ROD = SASH\ LENGTH - 330mm$

ASSEMBLY OF UPPER STAY ARM CONNECTING ROD

- a- Calculate rod length by means of the formulation in Figure.1 and cut pursuant to the measure obtained.
- b- Mount stay arm gliders, upper stay arm connecting rod and guiding rail end caps in place as shown in Figure.12.

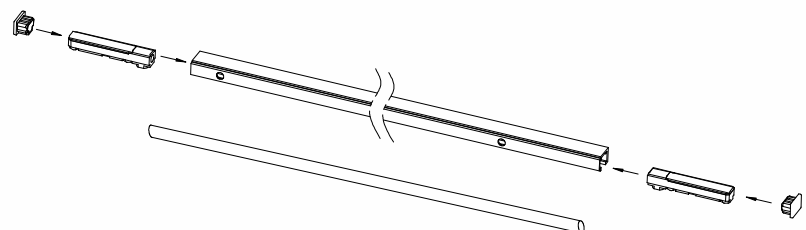


FIGURE.12

Assembly Applications 9th Step

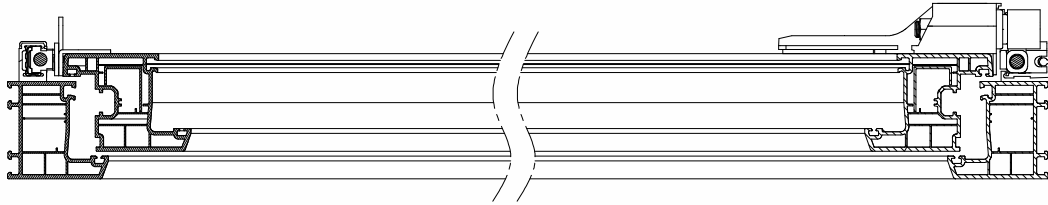
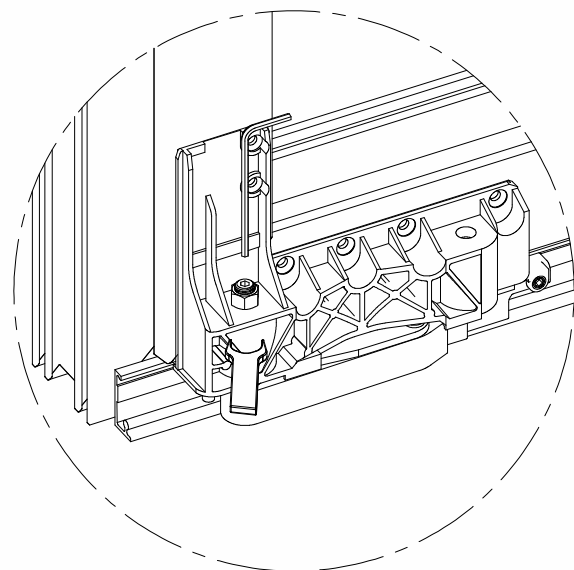


FIGURE.13

SETTING SASH ONTO RAILS ON FRAME

- a- Approach slanted sash toward bottom running rail and set front and rear carriers against rail.
- b- Set pins of upper stay arms into the chutes of stay arm gliders within guiding rail. Turn the bolt on the guiding glider from ON position to OFF position by using 4 allen wrench. Make sure it is safely locked.

Assembly Applications 10th Step



SASH HEIGHT ADJUSTMENT

- a- Loosen the nut on the front and rear carrier by using half wrench nr.13 as shown in Figure.14.
- b- Hold the door manually and align height by using of 4 allen wrench as shown in Figure.14.
- c- Well squeeze the nut after completion of alignment as shown in Figure.14.

FIGURE.14

Assembly Applications 11th Step

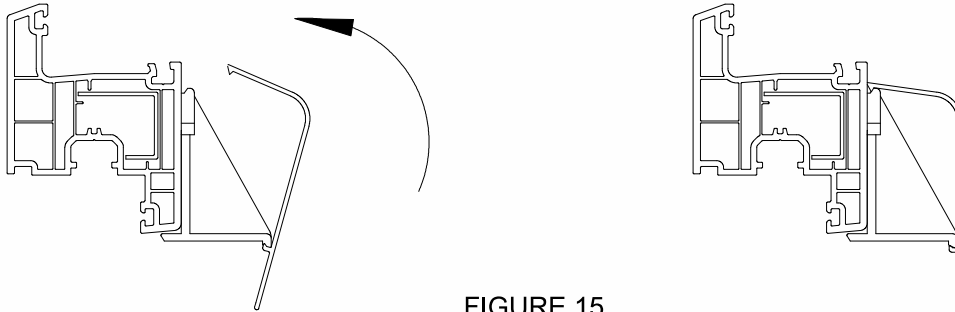


FIGURE.15

ASSEMBLY OF COVER PROFILE

- a- Take accurate measure between front and rear carrier caps, and cut cap profiles; then mount the same as shown in Figure.15.

Assembly Application Of Semi-automatic Corner 1st Step

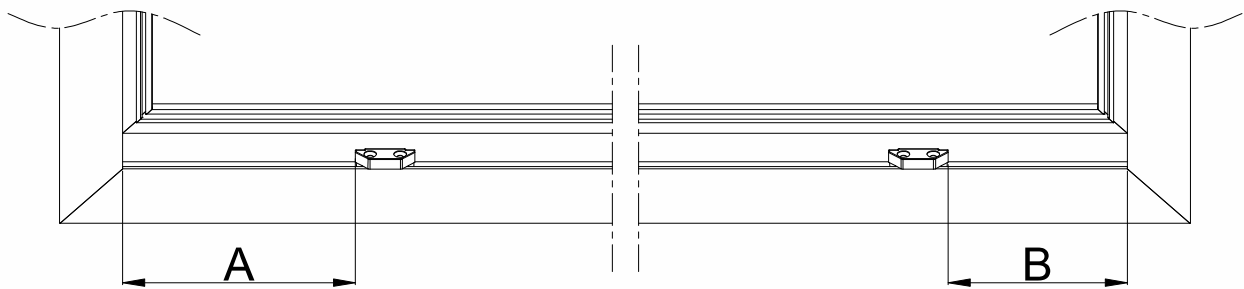


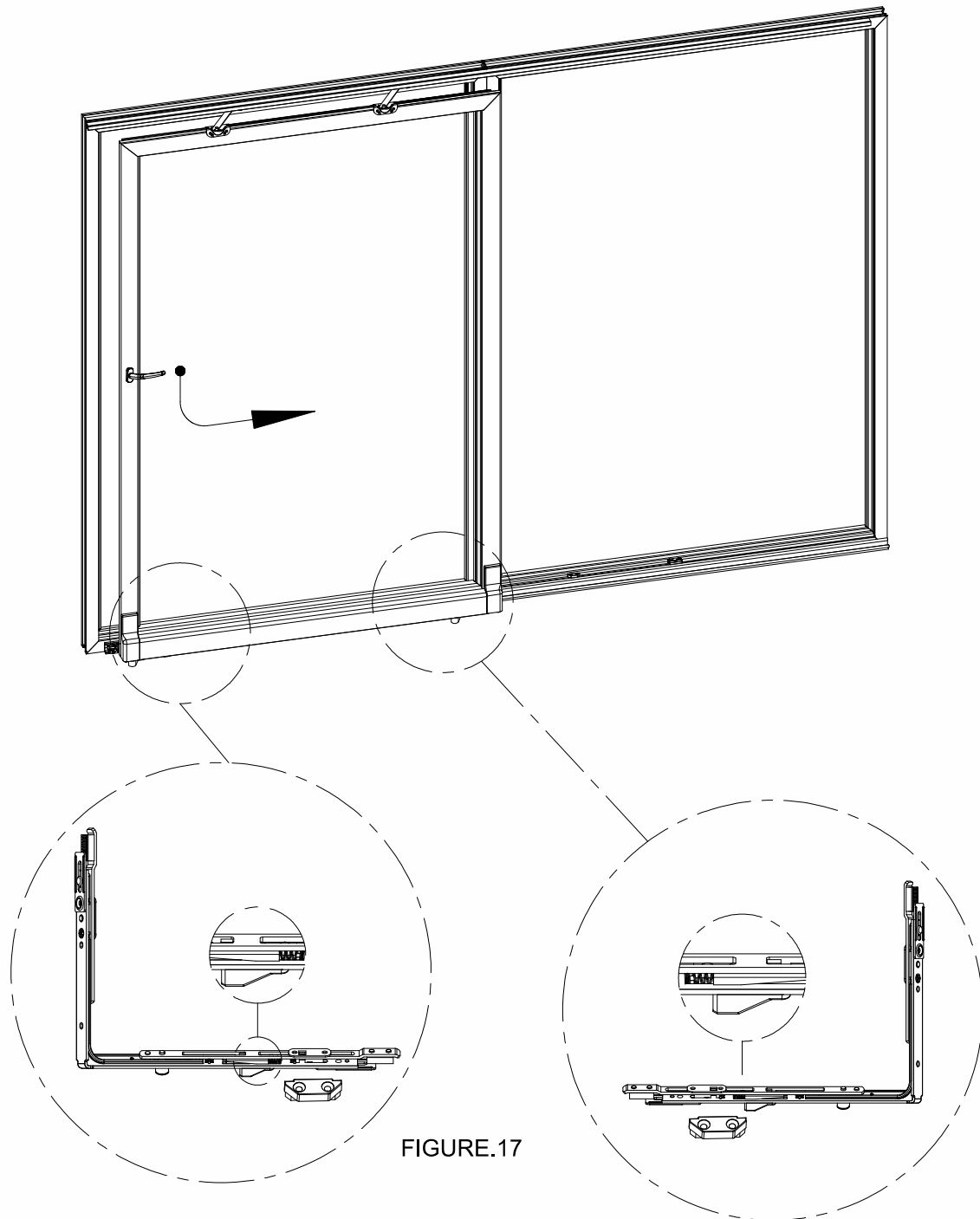
FIGURE.16

DETERMINING THE LOCATION OF BOTTOM STRIKERS AND ASSEMBLING THE STRIKERS (INTERIOR VIEW)

- a- Choose your system from the table and assembly the bottom strikers according to that dim dimension (Figure.16).

SYSTEM TYPE	A	B
OPENING TO RIGHT AND CLOSING TO LEFT SYSTEM	100mm 3.937in	160mm 6.299in
OPENING TO LEFT AND CLOSING TO RIGHT SYSTEM	160mm 6.299in	100mm 3.937in

Assembly Application Of Semi-automatic Corner 2nd Step



OPENING TO RIGHT AND CLOSING TO LEFT SYSTEM ASSEMBLY APPLICATION OF SEMI-AUTOMATIC CORNER

a- Assemble the corner according to location of spring. (Figure.17).

Assembly Application Of Semi-automatic Corner 3rd Step

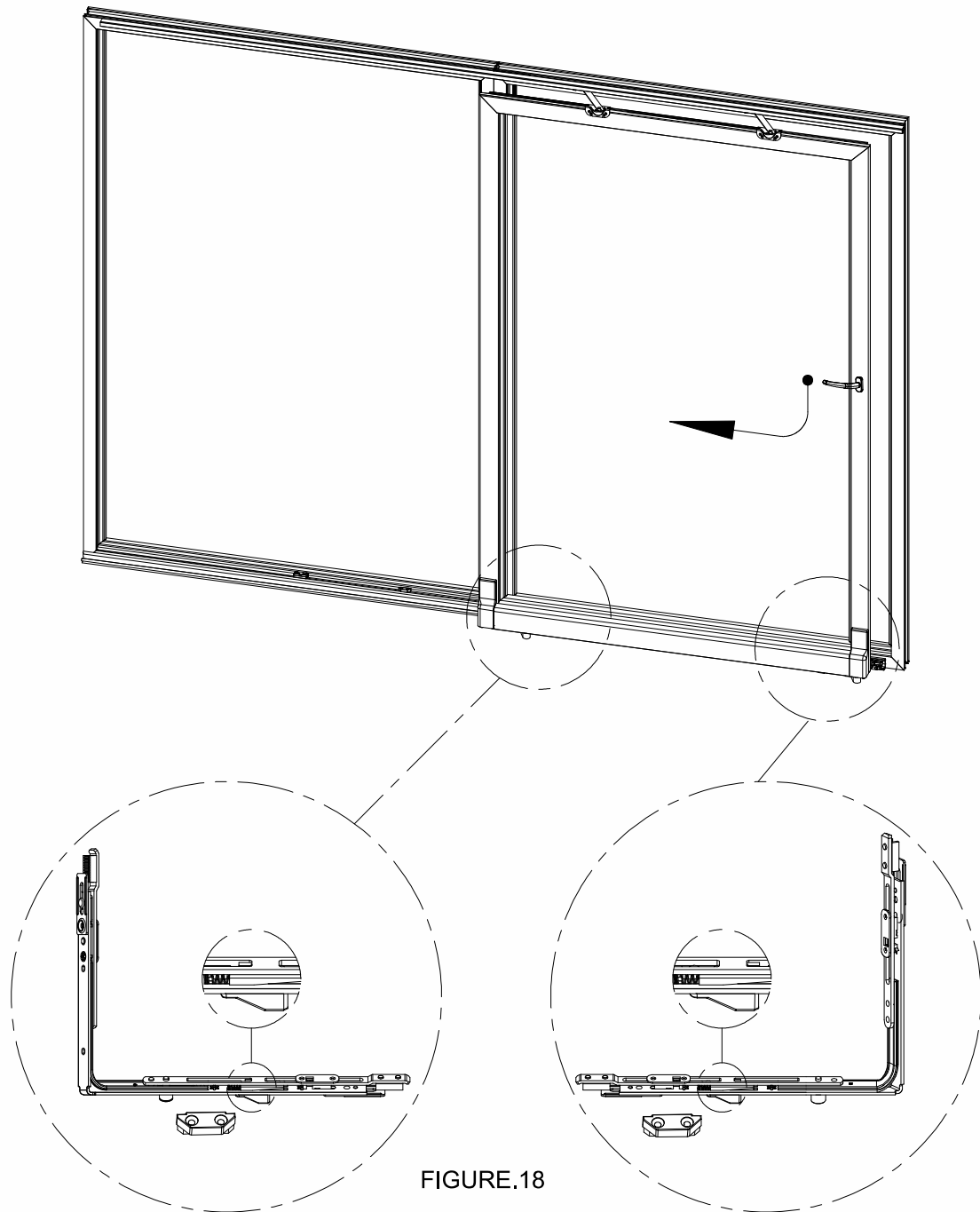


FIGURE.18

OPENING TO LEFT AND CLOSING TO RIGHT SYSTEM ASSEMBLY APPLICATION OF SEMI-AUTOMATIC CORNER

a- Assembly the corner according to location of spring. (Figure.18).

Assembly Application Of Semi-automatic Corner 4rd Step

