

# Tilt And Turn Systems

# ERPEN®



# T&T®

# ERP®

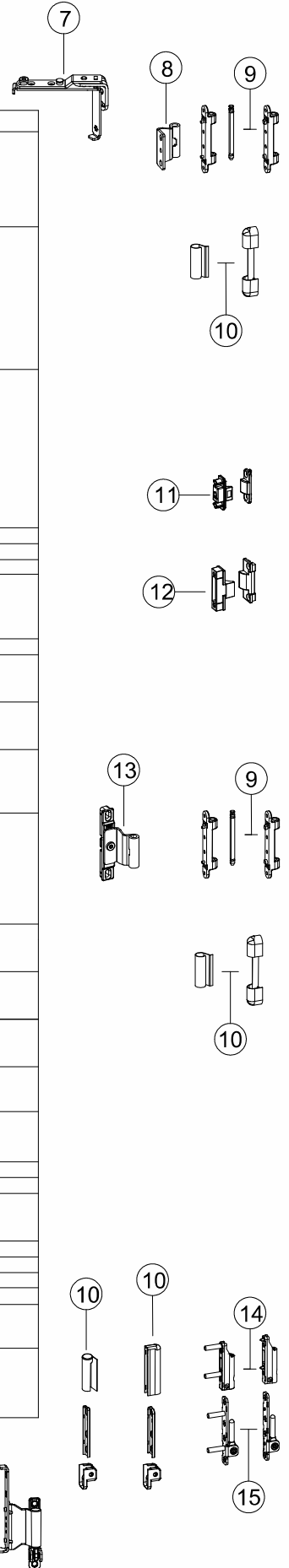
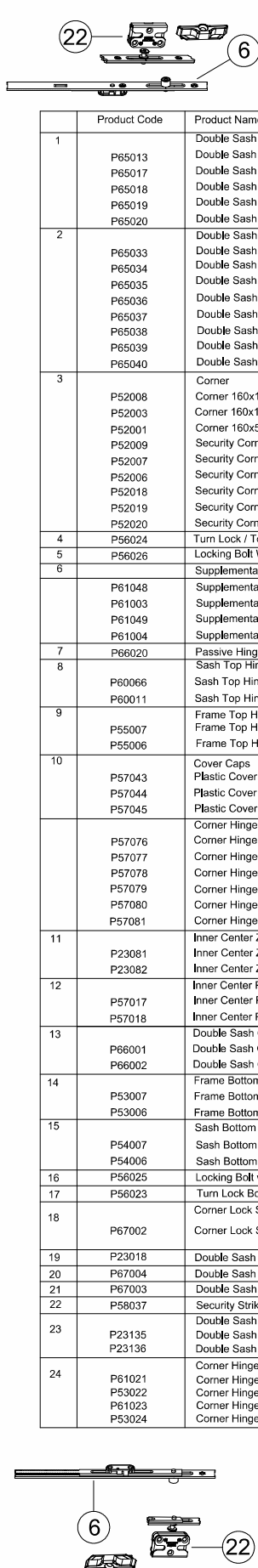
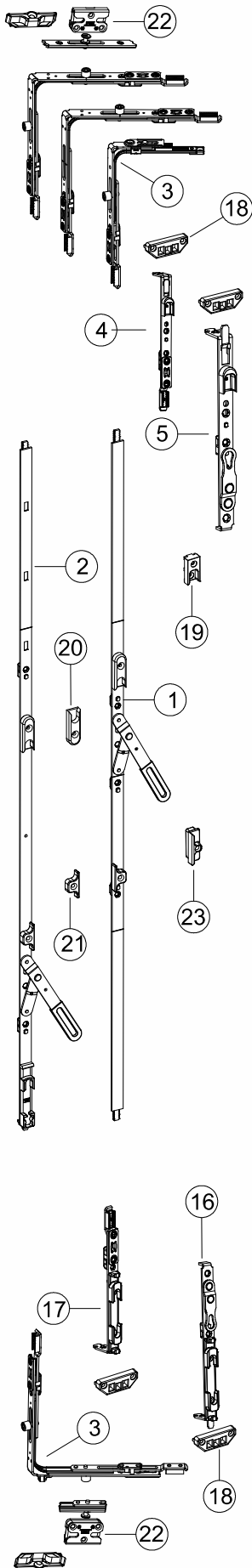


[www.tandt.com.tr](http://www.tandt.com.tr)

# Tilt And Turn Systems / Components

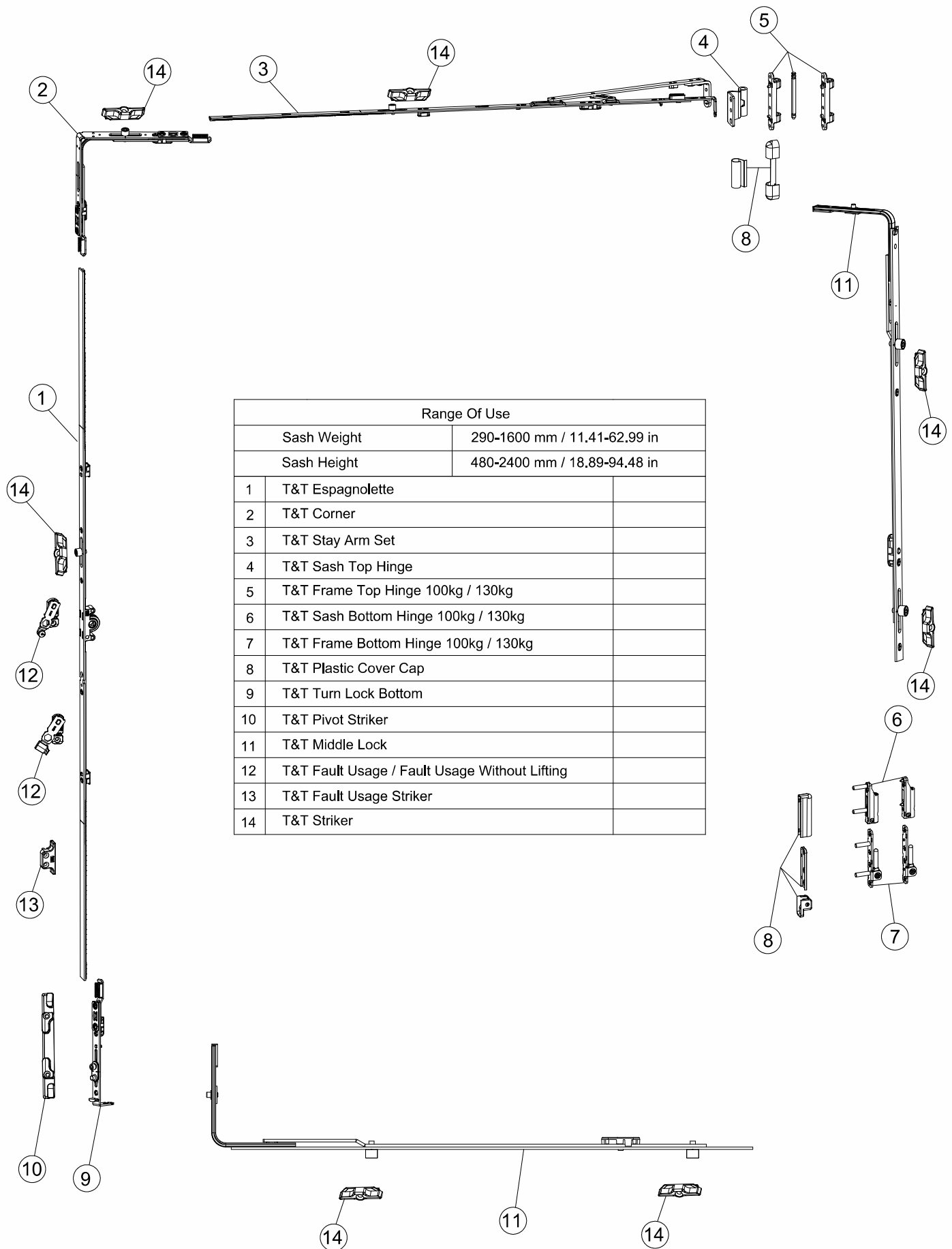
Product Code	Product Name	Product Code	Product Name
<b>1- Central Height Handle Espagnolettes</b> P59088 15mm-0.59in Backset 480-750mm 18.90-29.52in Chh Esp. P59069 15mm-0.59in Backset 750-1250mm 29.52-49.21in Chh Esp. P59070 15mm-0.59in Backset 950-1450mm 37.40-57.09in Chh Esp. P59071 15mm-0.59in Backset 1400-1900mm 55.12-74.80in Chh Esp. P59072 15mm-0.59in Backset 1900-2400mm 74.80-94.49in Chh Esp. P59074 Security 15mm-0.59in Backset 750-1250mm 29.52-49.21in Chh Esp. P59075 Security 15mm-0.59in Backset 950-1450mm 37.40-57.09in Chh Esp. P59076 Security 15mm-0.59in Backset 1400-1900mm 55.12-74.80in Chh Esp. P59077 Security 15mm-0.59in Backset 1900-2400mm 74.80-94.40in Chh Esp.		P57078 Corner Hinge Plastic Cover Set/Ral 8003 Left P57079 Corner Hinge Plastic Cover Set/Ral 9016 Right P57080 Corner Hinge Plastic Cover Set/Ral 8019 Right P57081 Corner Hinge Plastic Cover Set/Ral 8003 Right	
<b>2- Fixed Height Handle Espagnolettes</b> P59053 15mm-0.59in Backset 480-620/170mm 18.90-24.41/6.69in Fhh Esp. P59054 15mm-0.59in Backset 620-850/270mm 24.41-33.46/10.63in Fhh Esp. P59055 15mm-0.59in Backset 850-1100/400mm 33.46-43.31/15.75in Fhh Esp. P59056 15mm-0.59in Backset 1100-1350/500mm 43.31-53.15/19.68in Fhh Esp. P59057 15mm-0.59in Backset 1350-1600/560mm 53.15-62.99/22.05in Fhh Esp. P59058 15mm-0.59in Backset 1600-1850/560mm 62.99-72.83/22.05in Fhh Esp. P59059 15mm-0.59in Backset 1600-1850/1000mm 62.99-72.83/39.37in Fhh Esp. P59060 15mm-0.59in Backset 1850-2100/1000mm 72.83-82.68/39.37in Fhh Esp. P59061 15mm-0.6in Backset 2100-2350/1000mm 82.68-92.52/39.37in Fhh Esp. P59095 Security 15mm-0.59in Backset 620-850/270mm 24.41-33.46/10.63in Fhh Esp. P59096 Security 15mm-0.59in Backset 850-1100/400mm 33.46-43.31/15.75in Fhh Esp. P59097 Security 15mm-0.59in Backset 1100-1350/500mm 43.31-53.15/19.68in Fhh Esp. P59098 Security 15mm-0.59in Backset 1350-1600/560mm 53.15-62.99/22.05in Fhh Esp. P59099 Security 15mm-0.59in Backset 1600-1850/560mm 62.99-72.83/22.05in Fhh Esp. P59100 Security 15mm-0.59in Backset 1600-1850/1000mm 62.99-72.83/39.37in Fhh Esp. P59101 Security 15mm-0.59in Backset 1850-2100/1000mm 72.83-82.68/39.37in Fhh Esp. P59102 Security 15mm-0.59in Backset 2100-2350/1000mm 82.68-92.52/39.37in Fhh Esp.		<b>8- Middle Locks</b> P61088 Middle Locks 0-750mm 0-29.52in 1P P61089 Middle Locks 750-1450mm 29.52-57.09in 2P P61090 Middle Locks 1400-1900mm 55.12-74.80in 2P P61091 Middle Locks 1900-2400mm 74.80-94.49in 2P P61097 Security Middle Locks 0-750mm 0-29.52in 1SP P61098 Security Middle Locks 750-1450mm 29.52-57.09in 2SP P61099 Security Middle Locks 1400-1900mm 55.12-74.80in 2SP P61100 Security Middle Locks 1900-2400mm 74.80-94.49in 2SP P61109 Security Middle Locks With Roller 0-750mm 0-29.52in 1SP P61117 Security Middle Locks With Roller 750-1450mm 29.52-57.09in 1SP 1P P61110 Security Middle Locks With Roller 750-1450mm 29.52-57.09in 2SP P61118 Security Middle Locks With Roller 1400-1900mm 55.12-74.80in 1SP 1P P61111 Security Middle Locks With Roller 1400-1900mm 55.12-74.80in 2SP P61119 Security Middle Locks With Roller 1900-2400mm 74.80-94.49in 1SP 2P P61112 Security Middle Locks With Roller 1900-2400mm 74.80-94.49in 3SP	
<b>3- Corner</b> P52008 Corner 160x160mm 6.30x6.30in 1P P52003 Corner 160x160mm 6.30x6.30in 2P P52001 Corner 160x50mm 6.30x1.97in 1P P52009 Security Corner 160x160mm 6.30x6.30in 1SP P52007 Security Corner 160x160mm 6.30x6.30in 2SP P52006 Security Corner 160x50mm 6.30x1.97in 1SP P52018 Security Corner With Roller 160x160mm 6.30x6.30in 1P 1SP P52019 Security Corner With Roller 160x160mm 6.30x6.30in 2SP P52020 Security Corner With Roller 160x160mm 6.30x6.30in 1SP P52024 Microventilation Corner 160x160 6.30x6.30in /1P Four Stages		<b>9- Sash Bottom Hinges</b> P54007 Sash Bottom Hinges 100 Kg P54006 Sash Bottom Hinges 130 Kg	
<b>4- Stay Arm Sets</b> P60001 Stay Arm Set 400-650mm 15.75-25.59in P60002 Stay Arm Set 600-850mm 23.62-33.46in P60003 Stay Arm Set 600-850mm 23.62-33.46in 1P P60004 Stay Arm Set 850-1100mm 33.46-43.31in 1P P60005 Stay Arm Set 1100-1350mm 43.31-53.15in 1P P60006 Stay Arm Set 1350-1600mm 53.15-62.99in 2P P60007 Security Stay Arm Set 600-850mm 23.62-33.46in 1SP P60008 Security Stay Arm Set 850-1100mm 33.46-43.31in 1SP P60009 Security Stay Arm Set 1100-1350mm 43.31-53.15in 1SP P60010 Security Stay Arm Set 1350-1600mm 53.15-62.99in 2SP		<b>10- Frame Bottom Hinges</b> P53007 Frame Bottom Hinges 100 Kg P53006 Frame Bottom Hinges 130 Kg	
<b>5- Sash Top Hinges</b> P60011 Sash Top Hinge 13 Axis		<b>11- P56022 Bottom Extension Piece</b>	
<b>6- Frame Top Hinges</b> P55007 Frame Top Hinge 100 Kg P55006 Frame Top Hinge 130 Kg		<b>12- Pivot Striker</b> P58059 Universal Pivot Striker 13 Axis	
<b>7- Cover Caps</b> P57043 Cover Caps Ral 9016 P57044 Cover Caps Ral 8019 P57045 Cover Caps Ral 8003 Tilt And Turn Corner Hinges Cover Sets P57076 Corner Hinge Plastic Cover Set/Ral 9016 Left P57077 Corner Hinge Plastic Cover Set/Ral 8019 Left		<b>13- Fault Usage</b> P58031 Fault Usage Roller P58042 Fault Usage Without Lifting 13 Axis	
		<b>14- Fault Usage Strikers</b> P58004 Fault Usage Striker 13 Axis	
		<b>15- Security Striker 13 Axis</b>	
		<b>16- Security Bottom Striker 13 Axis</b>	
		<b>17- Micro-ventilation Striker</b> P58014 Micro-ventilation 13mm - 0.51in P58020 Microventilation Striker Four Stages	
		<b>18- Extension Pieces</b> P61023 Extension Pieces 150-250mm 5.90-9.84in 1P P61022 Extension Pieces 250-500mm 9.84-19.68in 1P P61053 Security Extension Pieces 120-250mm 4.72-9.84in P61054 Security Extension Pieces 250-500mm 4.72-19.68in	
		<b>19- Supplementary Locking Mechanisms</b> P61048 Supplementary Locking Mechanisms 250mm 9.84in P P61049 Supplementary Locking Mechanisms 500mm 19.68in P P61003 Security Supplementary Locking Mechanisms 250mm 9.84in 1SP P61004 Security Supplementary Locking Mechanisms 500mm 19.68in 1SP	
		<b>20- Corner hinge</b> P61023 Corner hinge 13 Axis Right P53024 Corner hinge 13 Axis Left	

# Double Sash Systems Fixed Sash Components

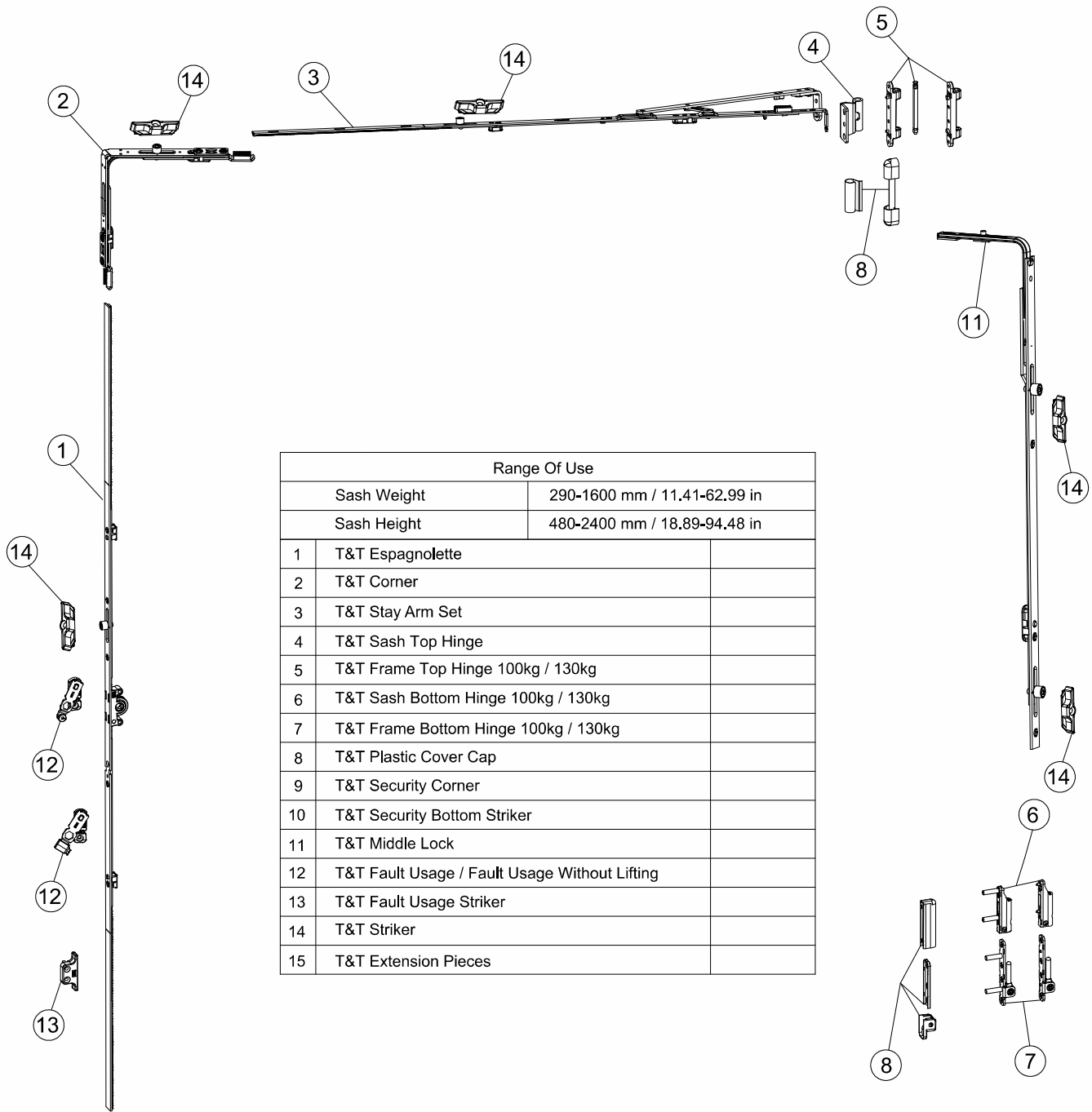


	Product Code	Product Name
1	P65013	Double Sash Central Height Handle Espag.
	P65017	Double Sash 580-750mm 22.83-29.52in CHH Esp.
	P65018	Double Sash 750-1250mm 29.52-49.21in CHH Esp.
	P65019	Double Sash 950-1450mm 37.40-57.09in CHH Esp.
	P65020	Double Sash 1400-1900mm 55.12-74.80in CHH Esp.
2	P65033	Double Sash Fixed Height Handle Esp.
	P65034	Double Sash 480-620/230mm 18.90-24.41/9.05in FHH Esp.
	P65035	Double Sash 620-850/350mm 24.41-33.46/13.78in FHH Esp.
	P65036	Double Sash 850-1100/230mm 33.46-43.31/9.05in FHH Esp.
	P65037	Double Sash 1100-1350/230mm 43.31-53.15/9.05in FHH Esp.
	P65038	Double Sash 1350-1600/500mm 53.15-62.99/19.68in FHH Esp.
	P65039	Double Sash 1600-1850/550mm 62.99-72.83/21.65in FHH Esp.
	P65040	Double Sash 1850-2100/550mm 72.83-82.68/21.65in FHH Esp.
	P65040	Double Sash 2100-2350/550mm 82.68-92.52/21.65in FHH Esp.
	3	P52008
P52003		Corner 160x160mm 6.30x6.30in 1P
P52001		Corner 160x160mm 6.30x6.30in 2P
P52009		Corner 160x50mm 6.30x1.97in 1P
P52007		Security Corner 160x160mm 6.30x6.30in 1SP
P52006		Security Corner 160x160mm 6.30x6.30in 2SP
P52018		Security Corner With Roller 160x160mm 6.30x6.30in 1P 1SP
P52019		Security Corner With Roller 160x160mm 6.30x6.30in 2SP
P52020		Security Corner With Roller 160x160mm 6.30x6.30in 1SP
4		P56024
5	P56026	Locking Bolt With Roller Striker / Top
6	P61048	Supplementary Locking Mechanisms 250mm-9.84in/1P
	P61003	Supplementary Locking Mechanisms 250mm-9.84in/1SP
	P61049	Supplementary Locking Mechanisms 500mm-19.68in/1P
	P61004	Supplementary Locking Mechanisms 500mm-19.68in/1SP
7	P66020	Passive Hinge
8	P60066	Sash Top Hinges
	P60011	Sash Top Hinge 9 Axis
	P60011	Sash Top Hinge 13 Axis
9	P55007	Frame Top Hinges
	P55006	Frame Top Hinge - 100 KG
	P55006	Frame Top Hinge - 130 KG
10	P57043	Cover Caps
	P57044	Plastic Cover Caps Ral 9016
	P57045	Plastic Cover Caps Ral 8019
	P57045	Plastic Cover Caps Ral 8003
	P57076	Corner Hinge Plastic Cover Caps
11	P57076	Corner Hinge Plastic Cover Cap Set Ral 9016 Left
	P57077	Corner Hinge Plastic Cover Cap Set Ral 8019 Left
	P57078	Corner Hinge Plastic Cover Cap Set Ral 8003 Left
	P57079	Corner Hinge Plastic Cover Cap Set Ral 9016 Right
	P57080	Corner Hinge Plastic Cover Cap Set Ral 8019 Right
	P57081	Corner Hinge Plastic Cover Cap Set Ral 8003 Right
12	P23081	Inner Center Zamak Rotating Hinges
	P23082	Inner Center Zamak Rotating Hinge 09 Axis
	P23082	Inner Center Zamak Rotating Hinge 13 Axis
13	P57017	Inner Center Plastic Rotating Hinges
	P57018	Inner Center Plastic Rotating Hinge 09 Axis
	P57018	Inner Center Plastic Rotating Hinge 13 Axis
14	P66001	Double Sash Center Rotating Hinges
	P66002	Double Sash Center Rotating Hinges 09 Axis
	P66002	Double Sash Center Rotating Hinges 13 Axis
15	P53007	Frame Bottom Hinges
	P53006	Frame Bottom Hinge - 100 KG
	P53006	Frame Bottom Hinge - 130 KG
16	P54007	Sash Bottom Hinges
	P54006	Sash Bottom Hinge - 100 KG
	P54006	Sash Bottom Hinge - 130 KG
17	P56025	Locking Bolt with Tilt Striker / Bottom
18	P56023	Turn Lock Bottom
19	P67002	Corner Lock Strikers
	P67002	Corner Lock Striker 13 Axis
20	P23018	Double Sash Striker
21	P67004	Double Sash Espagnolette Striker
22	P67003	Double Sash Fault Usage Striker
23	P58037	Security Striker 13 Axis
24	P23135	Double Sash Striker with Canal
	P23136	Double Sash Striker with Canal 09 Axis
	P23136	Double Sash Striker with Canal 13 Axis
	P23136	Double Sash Striker with Canal 13 Axis
25	P61021	Corner Hinges
	P53022	Corner Hinge 09 Axis Right
	P61023	Corner Hinge 09 Axis Left
	P53024	Corner Hinge 13 Axis Right
	P53024	Corner Hinge 13 Axis Sol

# Tilt And Turn System/Vertical Application

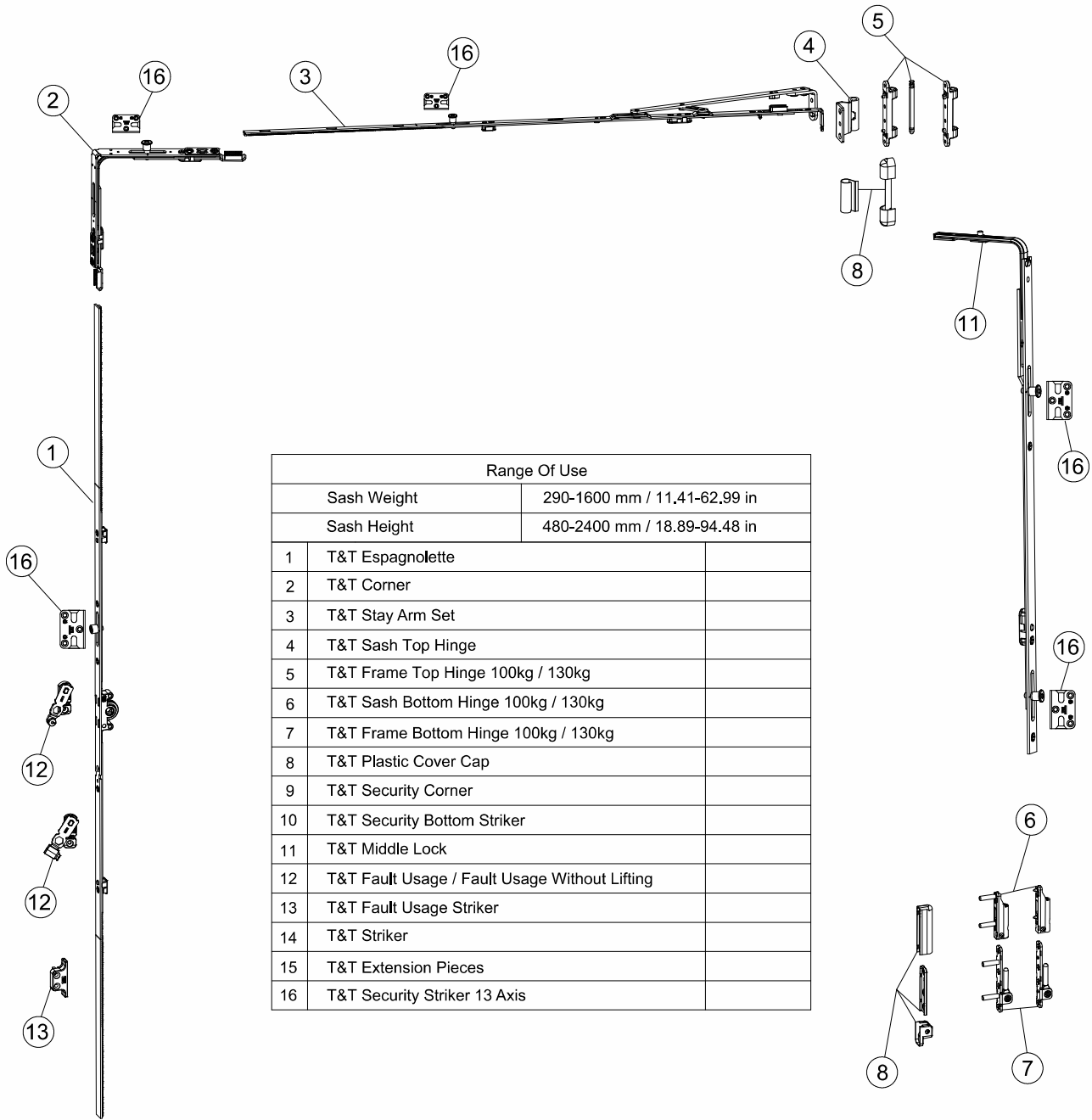


# Tilt And Turn System/Horizontal Application

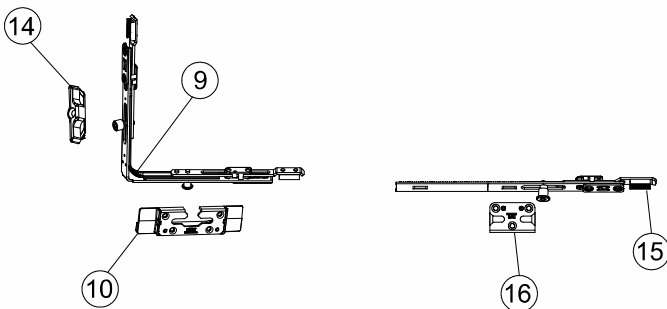


Range Of Use	
Sash Weight	290-1600 mm / 11.41-62.99 in
Sash Height	480-2400 mm / 18.89-94.48 in
1	T&T Espagnolette
2	T&T Corner
3	T&T Stay Arm Set
4	T&T Sash Top Hinge
5	T&T Frame Top Hinge 100kg / 130kg
6	T&T Sash Bottom Hinge 100kg / 130kg
7	T&T Frame Bottom Hinge 100kg / 130kg
8	T&T Plastic Cover Cap
9	T&T Security Corner
10	T&T Security Bottom Striker
11	T&T Middle Lock
12	T&T Fault Usage / Fault Usage Without Lifting
13	T&T Fault Usage Striker
14	T&T Striker
15	T&T Extension Pieces

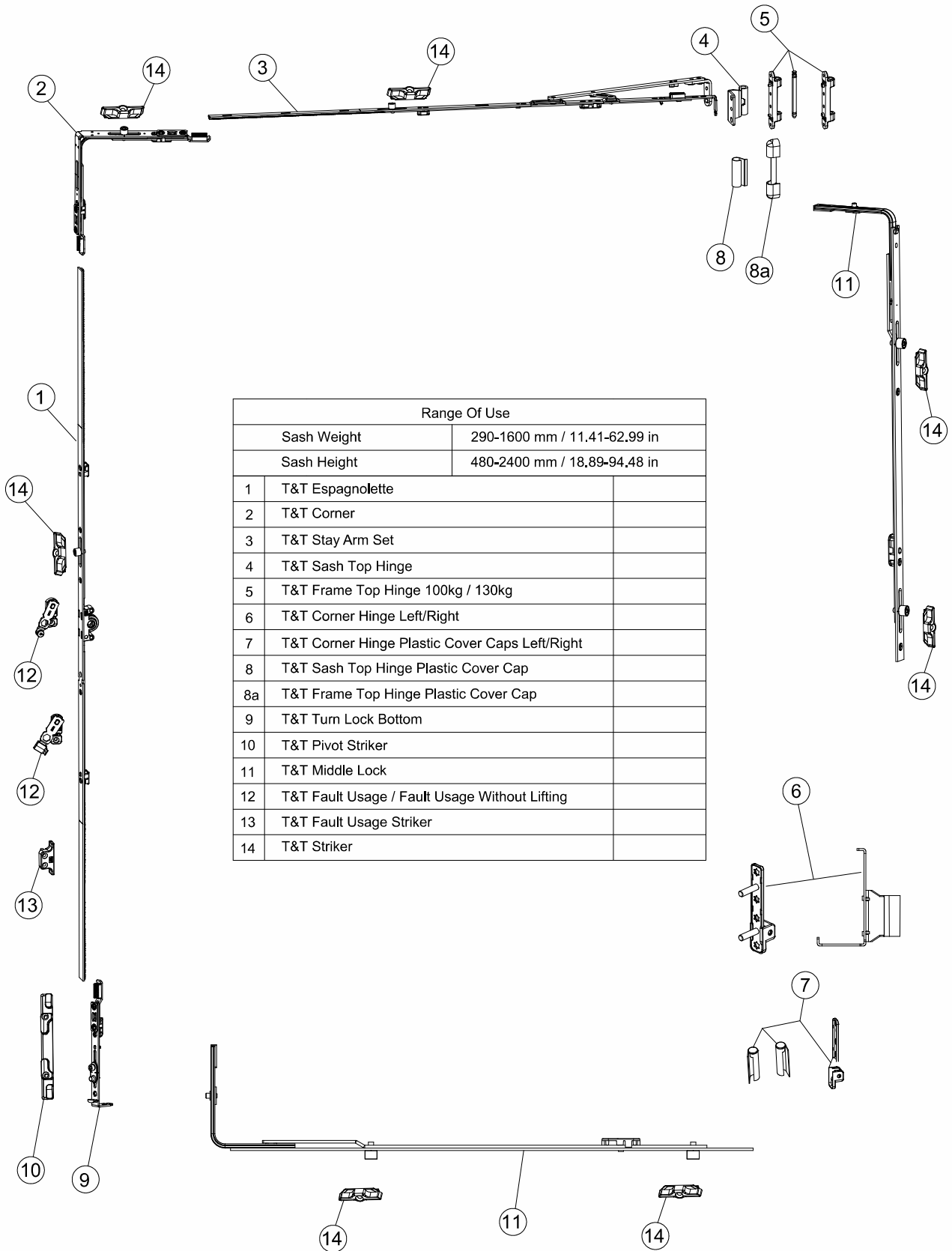
# Tilt And Turn System/ Security Application



Range Of Use	
Sash Weight	290-1600 mm / 11.41-62.99 in
Sash Height	480-2400 mm / 18.89-94.48 in
1	T&T Espagnolette
2	T&T Corner
3	T&T Stay Arm Set
4	T&T Sash Top Hinge
5	T&T Frame Top Hinge 100kg / 130kg
6	T&T Sash Bottom Hinge 100kg / 130kg
7	T&T Frame Bottom Hinge 100kg / 130kg
8	T&T Plastic Cover Cap
9	T&T Security Corner
10	T&T Security Bottom Striker
11	T&T Middle Lock
12	T&T Fault Usage / Fault Usage Without Lifting
13	T&T Fault Usage Striker
14	T&T Striker
15	T&T Extension Pieces
16	T&T Security Striker 13 Axis

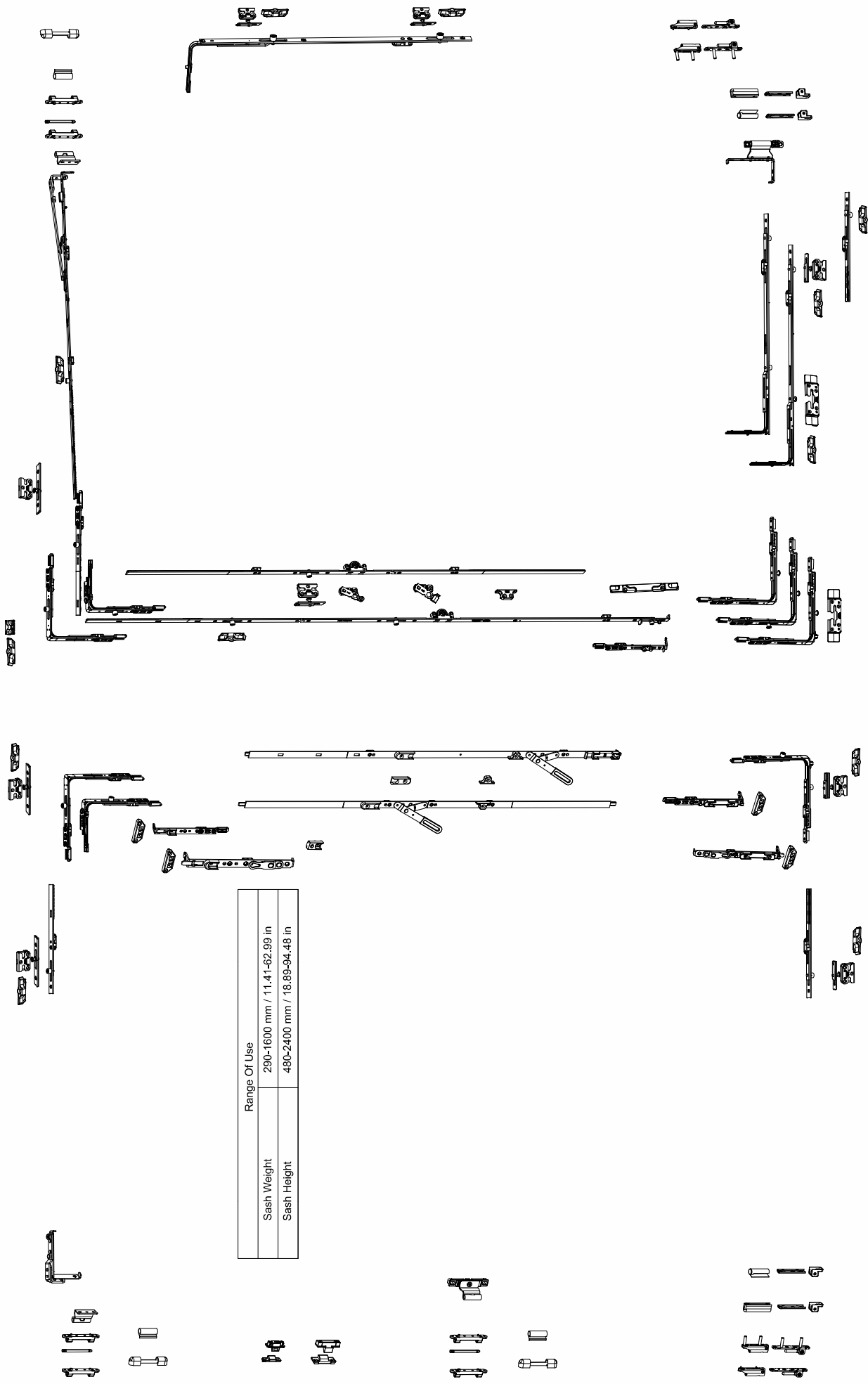


# Tilt And Turn System/Aluminum Application



Range Of Use	
Sash Weight	290-1600 mm / 11.41-62.99 in
Sash Height	480-2400 mm / 18.89-94.48 in
1	T&T Espagnolette
2	T&T Corner
3	T&T Stay Arm Set
4	T&T Sash Top Hinge
5	T&T Frame Top Hinge 100kg / 130kg
6	T&T Corner Hinge Left/Right
7	T&T Corner Hinge Plastic Cover Caps Left/Right
8	T&T Sash Top Hinge Plastic Cover Cap
8a	T&T Frame Top Hinge Plastic Cover Cap
9	T&T Turn Lock Bottom
10	T&T Pivot Striker
11	T&T Middle Lock
12	T&T Fault Usage / Fault Usage Without Lifting
13	T&T Fault Usage Striker
14	T&T Striker

# Double Sash Systems Turn Only / Security Application

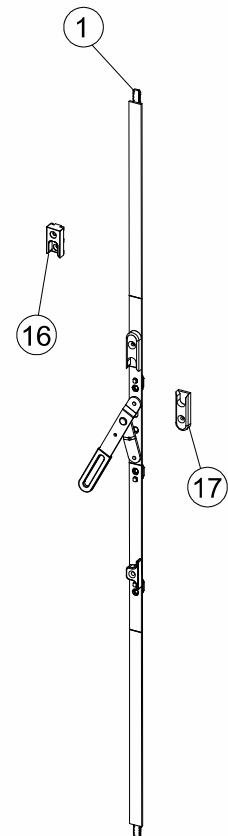
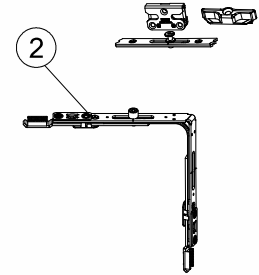
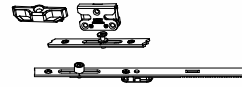
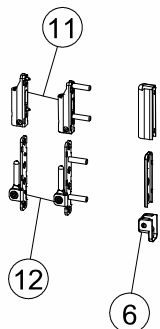
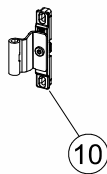
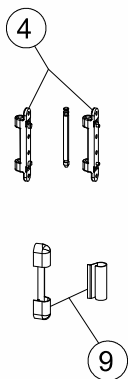
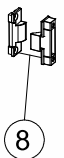
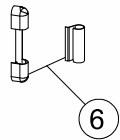
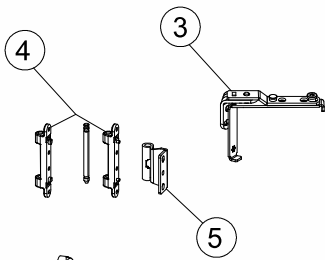


Range Of Use	
Sash Weight	290-1600 mm / 11.41-62.99 in
Sash Height	480-2400 mm / 18.89-94.48 in

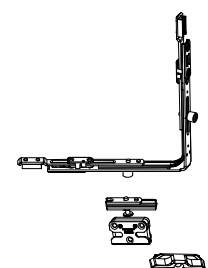
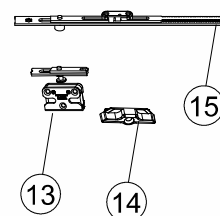




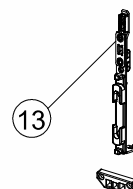
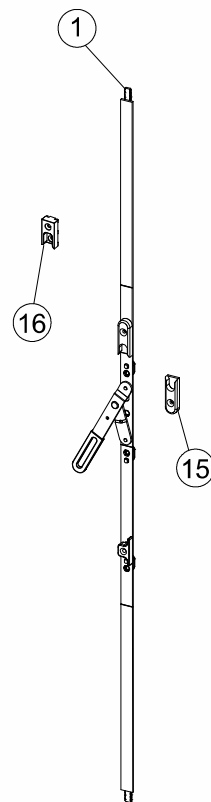
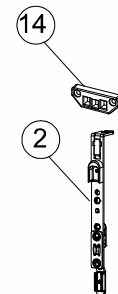
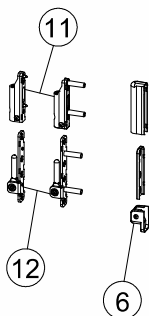
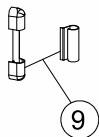
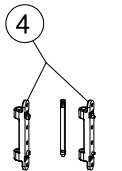
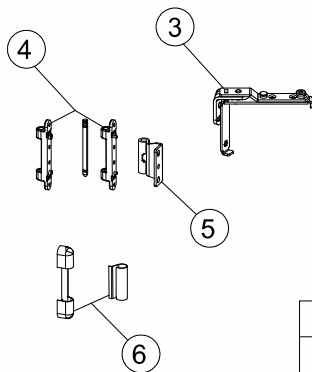
# DOUBLE SASH SYSTEMS / FIXED SASH / APPLICATION OF DOUBLE SASH ESPAGNOLETTE WITH CORNER (CENTERED HEIGHT HANDLE)



Range Of Use	
Sash Weight	290-1600 mm / 11.41-62.99 in
Sash Height	480-2400 mm / 18.89-94.48 in
1	T&T Double Sash Espagnolette
2	T&T Corner
3	T&T Passive Hinge
4	T&T Frame Top Hinge 100kg / 130kg
5	T&T Sash Top Hinge
6	T&T Plastic Cover Set
11	T&T Sash Bottom Hinge
12	T&T Frame Bottom Hinge 100kg / 130kg
13	T&T Security Striker 13 Axis
14	T&T Striker
17	T&T Double Sash Striker
Additional Products	
7	T&T Inner Centre Rotating Hinge Zamak
8	T&T Inner Centre Rotating Hinge Plastic
9	T&T Sash/Frame Top Hinge Cover Cap
10	T&T Centre Rotating Hinge
15	T&T Supplementary Locking Mech.
16	T&T Double Sash Esp. Striker

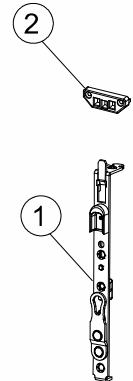
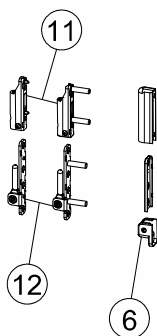
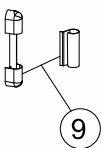
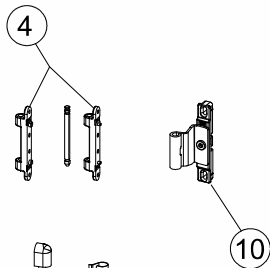
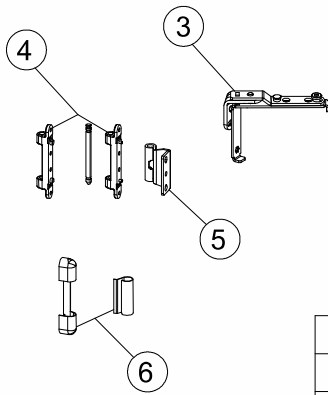


# Double Sash Systems / Fixed Sash / Application Of Double Sash Espagnolette Turn Lock (Centered Height Hadle)

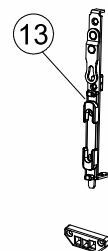


Range Of Use	
Sash Weight	290-1600 mm / 11.41-62.99 in
Sash Height	480-2400 mm / 18.89-94.48 in
1	T&T Double Sash Espagnolette
2	T&T Turn Lock / Top
3	T&T Passive Hinge
4	T&T Frame Top Hinge 100kg / 130kg
5	T&T Sash Top Hinge
6	T&T Plastic Cover Set
11	T&T Sash Bottom Hinge
12	T&T Frame Bottom Hinge 100kg / 130kg
13	T&T Turn Lock / Bottom
14	T&T Corner Lock Striker
15	T&T Double Sash Striker
Additional Products	
7	T&T Inner Centre Rotating Hinge Zamak
8	T&T Inner Centre Rotating Hinge Plastic
9	T&T Sash/Frame Top Hinge Cover Cap
10	T&T Centre Rotating Hinge
16	T&T Double Sash Esp. Striker

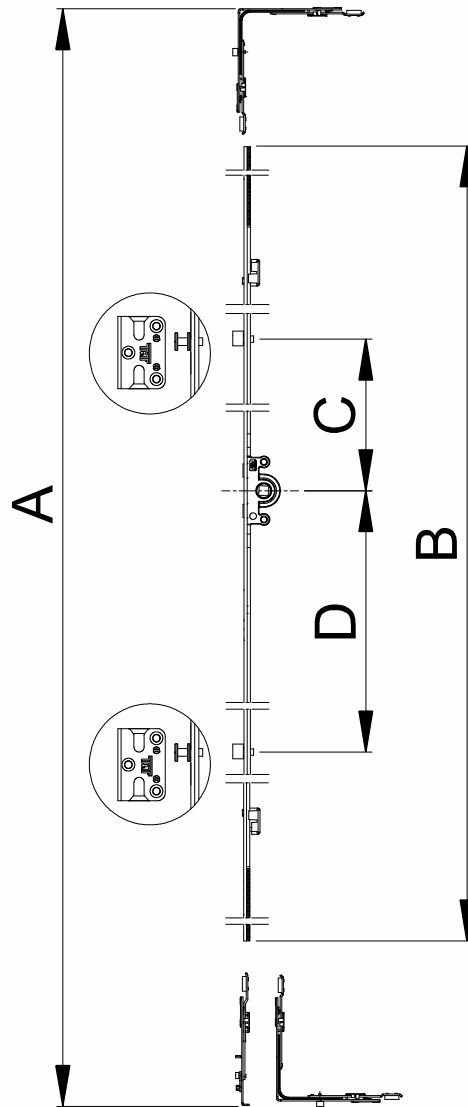
# Double Sash Systems / Fixed Sash / Application Of Locking Bolt





Range Of Use	
Sash Weight	290-1600 mm / 11.41-62.99 in
Sash Height	480-2400 mm / 18.89-94.48 in
1	T&T Locking Bolt With Roller Striker / Top
2	T&T Corner Lock Strikers
3	T&T Passive Hinge
4	T&T Frame Top Hinge 100kg / 130kg
5	T&T Sash Top Hinge
6	T&T Plastic Cover Set
11	T&T Sash Bottom Hinge
12	T&T Frame Bottom Hinge 100kg / 130kg
13	T&T Locking Bolt With Roller Striker / Bottom
Additional Products	
7	T&T Inner Centre Rotating Hinge Zamak
8	T&T Inner Centre Rotating Hinge Plastic
9	T&T Sash/Frame Top Hinge Cover Cap
10	T&T Centre Rotating Hinge

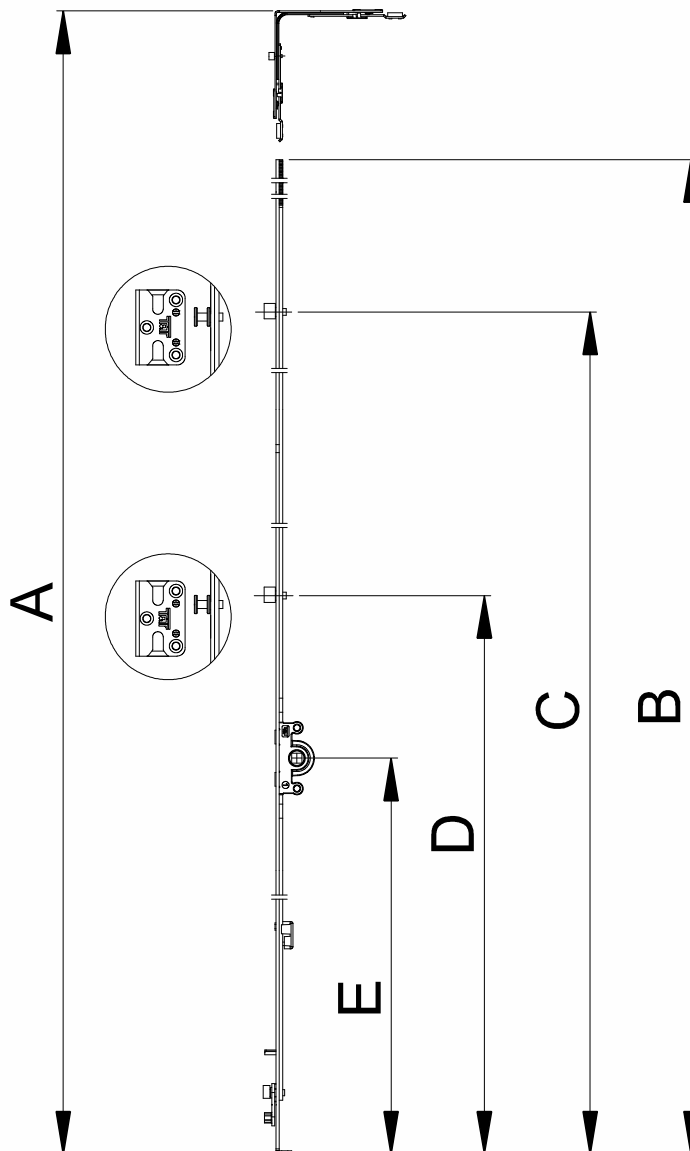


# Tilt And Turn 15mm Backset Espagnolettes



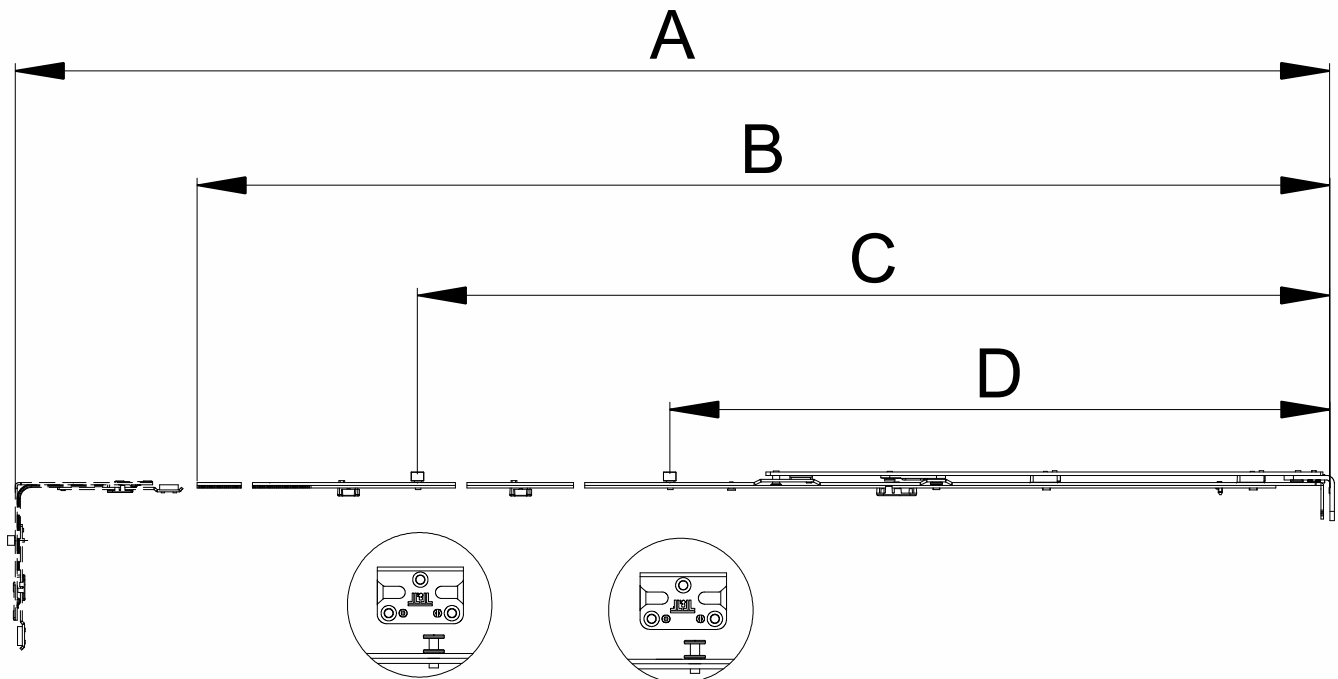
Product Code	Product Name	A(mm - in)	B(mm - in)	C(mm - in)	D(mm - in)		
P59088	15mm-0.59in Backset 480-750mm 18.90- 29.52in Chh Esp.	480-750mm 18.90-29.52in	430mm-16.93in	-	-	-	-
P59069	15mm-0.59in Backset 750-1250mm 29.52-49.21in Chh Esp.	750-1250mm 29.52-49.21in	930mm-36.61in	115mm-4.53in	-	1	3
P59074	15mm-0.59in Backset 750-1250mm 29.52-49.21in Chh Esp. SP	750-1250mm 29.52-49.21in	930mm-36.61in	115mm-4.53in	-	1	3
P59070	15mm-0.59in Backset 950-1450mm 37.40-57.09in Chh Esp.	950-1450mm 37.40-57.09in	1130mm-44.49in	115mm-4.53in	-	1	5
P59075	15mm-0.59in Backset 950-1450mm 37.40-57.09in Chh Esp. SP	950-1450 mm 37.40-57.09 in	1130mm-44.49in	115mm-4.53in	-	1	5
P59071	15mm-0.59in Backset 1400-1900mm 55.12-74.80in Chh Esp.	1400-1900mm 55.12-74.80in	1580mm-62.20in	350mm-13.78in	330mm-12.99in	2	6
P59076	15mm-0.59in Backset 1400-1900mm 55.12-74.80in Chh Esp. SP	1400-1900mm 55.12-74.80in	1580mm-62.20in	350mm-13.78in	330mm-12.99in	2	6
P59072	15mm-0.59in Backset 1900-2400mm 74.80-94.49in Chh Esp.	1900-2400mm 74.80-94.49in	2080mm-81.89in	350mm-13.78in	330mm-12.99in	2	8
P59077	15mm-0.59in Backset 1900-2400mm 74.80-94.49in Chh Esp. SP	1900-2400mm 74,8-94,49in	2080mm-81.89in	350mm-13.78in	330mm-12.99in	2	8


# Fixed Height Handle Espagnolettes



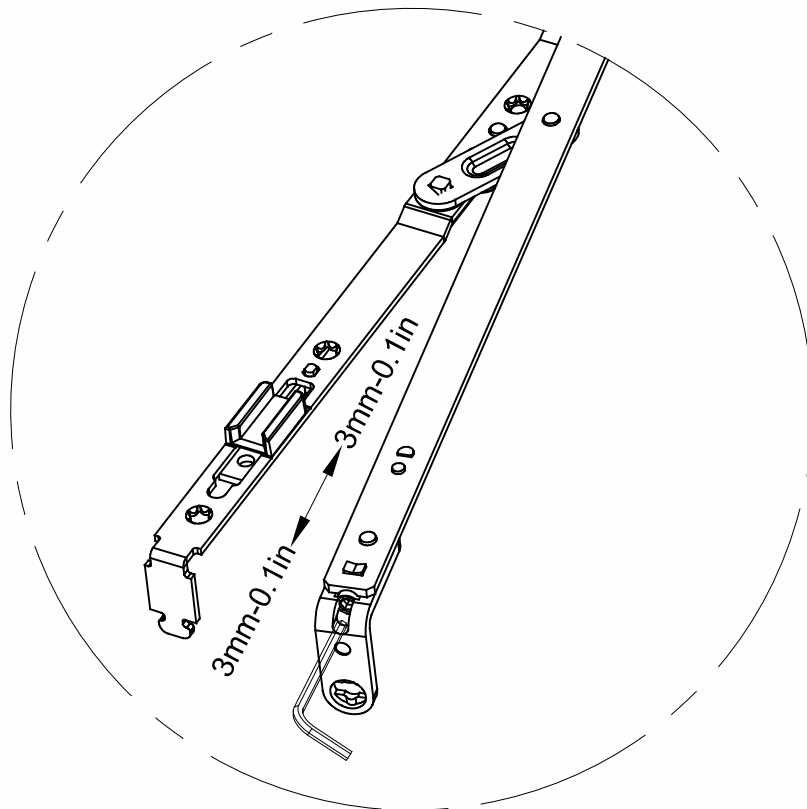
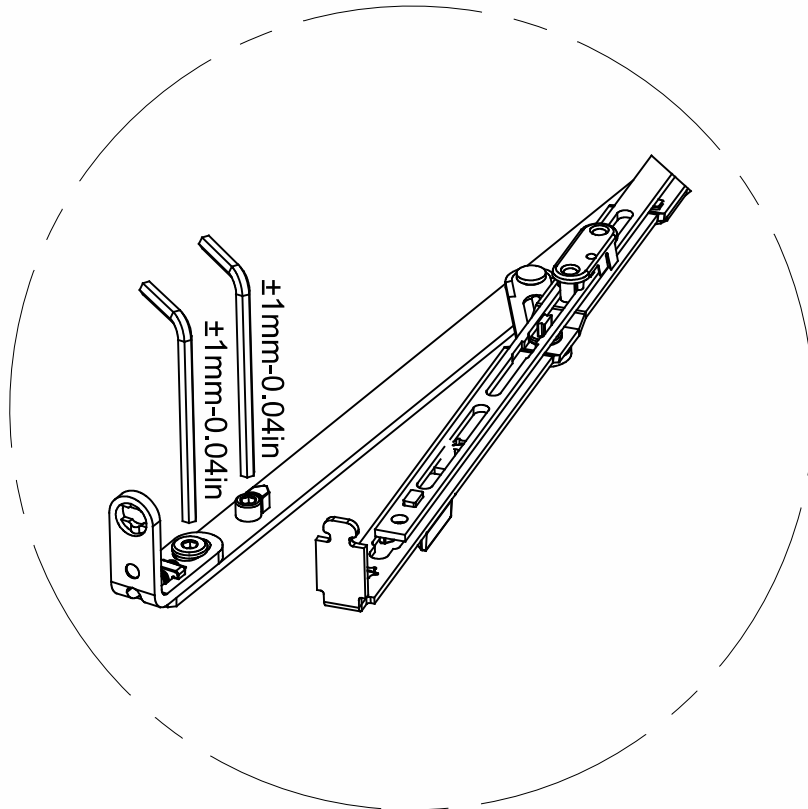
Product Code	Product Name	A(mm - in)	B(mm - in)	C(mm - in)	D(mm - in)	E(mm - in)		
P59053	15mm-0.59in Backset 480-620/170mm 18.90-24.41/6.69in Fhh Esp.	480-620mm 18.90-24.41in	460mm 18.11in	-	-	170mm 6.69in	-	3
P59054	15mm-0.59in Backset 620-850/270mm 24.41-33.46/10.63in Fhh Esp.	620-850mm 24.41-33.46in	690mm 27.16in	-	385mm 15.16in	270mm 10.63in	1	3
P59055	15mm-0.59in Backset 850-1100/400mm 33.46-43.31/15.75in Fhh Esp.	850-1100mm 33.46-43.31in	940mm 37.01in	-	515mm 20.27in	400mm 15.75in	1	6
P59056	15mm-0.59in Backset 1100-1350/500mm 43.31-53.12/19.68in Fhh Esp.	1100-1350mm 43.31-53.15in	1190mm 46.85in	-	615mm 24.21in	500mm 19.68in	1	6
P59057	15mm-0.59in Backset 1350-1600/560mm 53.12-62.99/22.05in Fhh Esp.	1350-1600mm 53.15-62.99in	1440mm 56.69in	1080mm 42.52in	675mm 26.57in	560mm 22.05in	2	7
P59058	15mm-0.59in Backset 1600-1850/560mm 62.99-72.83/22.05in Fhh Esp.	1600-1850mm 62.99-72.83in	1690mm 66.53in	1330mm 52.36in	675mm 26.57in	560mm 22.05in	2	7
P59059	15mm-0.59in Backset 1600-1850/1000mm 62.99-72.83/39.37in Fhh Esp.	1600-1850mm 62.99-72.83in	1690mm 66.53in	1330mm 52.36in	675mm 26.57in	1000mm 39.37in	2	8
P59060	15mm-0.59in Backset 1850-2100/1000mm 72.83-82.68/39.37in Fhh Esp.	1850-2100mm 72.83-82.68in	1940mm 76.38in	1330mm 52.36in	675mm 26.57in	1000mm 39.37in	2	9
P59061	15mm-0.59in Backset 2100-2350/1000mm 82.68-92.52/39.37in Fhh Esp.	2100-2350mm 82.68-92.52in	2190mm 86.22in	1330mm 52.36in	675mm 26.57in	1000mm 39.37in	2	9

# Tilt and Turn Stay Arms

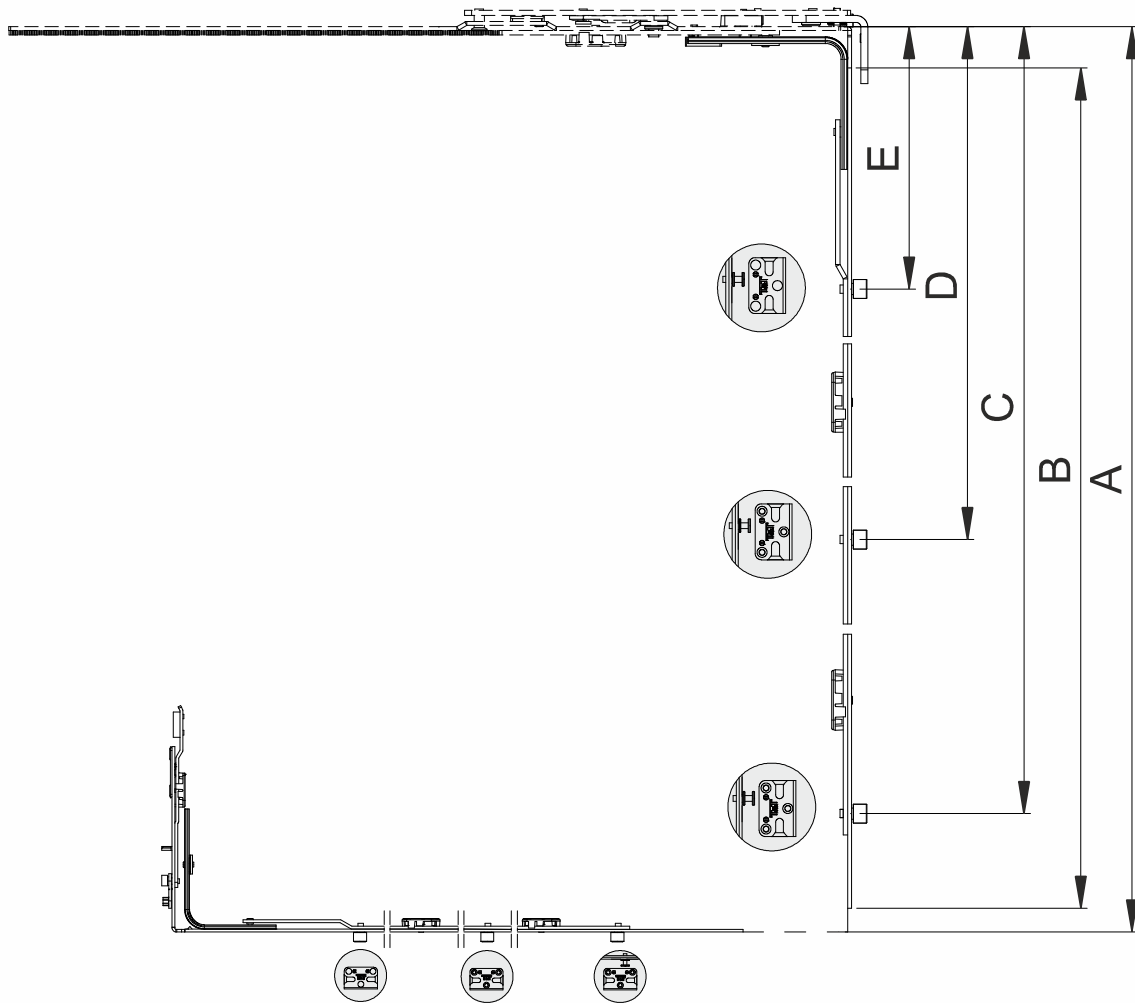



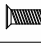
Product Code	Product Name	A(mm - in)	B(mm - in)	C(mm)	D(mm)		
P60001	Stay Arm Set 400-650mm 15.75-25.59in	400-650mm 15.75-25.59in	495mm - 19.49in	-	-	-	3
P60002	Stay Arm Set 600-850mm 25.59-33.46in	600-850mm 23.62-33.46in	695mm - 27.36in	-	-	-	5
P60003	Stay Arm Set 600-850mm 25.59-33.46in 1P	600-850mm 23.62-33.46in	695mm - 27.36in	-	380mm - 15.96in	1	5
P60004	Stay Arm Set 850-1100mm 33.46-43.31in 1P	850-1100mm 33.46-43.31in	945mm - 37.20in	-	580mm - 22.83in	1	6
P60005	Stay Arm Set 1100-1350mm 43.31-53.15in 1P	1100-1350mm 43.31-53.15in	1195mm - 47.05in	-	580mm - 22.83in	1	8
P60006	Stay Arm Set 1350-1600mm 53.15-62.99in 2P	1350-1600mm 53.15-62.99in	1445mm - 56.89in	1075mm - 42.32in	580mm - 22.83in	2	9
P60007	Security Stay Arm Set 600-850mm 23.62-33.46in 1SP	600-850mm 23.62-33.46in	695mm - 27.36in	-	380mm - 15.96in	1	5
P60008	Security Stay Arm Set 850-1100mm 33.46-43.31in 1SP	850-1100mm 33.46-43.31in	945mm - 37.20in	-	580mm - 22.83in	1	6
P60009	Security Stay Arm Set 1100-1350mm 43.31-53.15in 1SP	1100-1350mm 43.31-53.15in	1195mm - 47.05in	-	580mm - 22.83in	1	8
P60010	Security Stay Arm Set 1350-1600mm 53.15-62.99in 2SP	1350-1600mm 53.15-62.99in	1445mm - 56.89in	1075mm - 42.32in	580mm - 22.83in	2	9

# Setting Applications Of Stay Arm



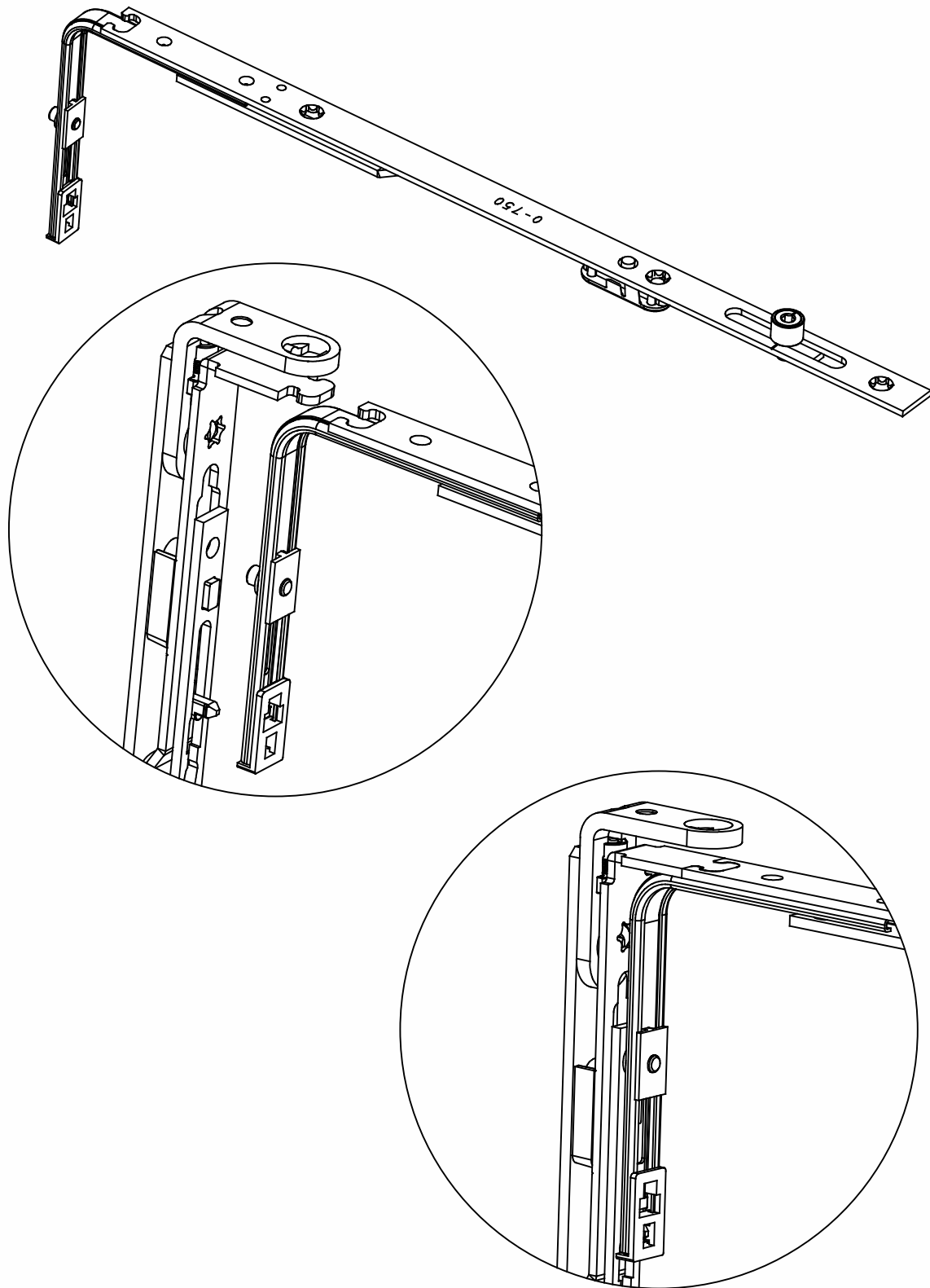
# Tilt And Turn Middle Locks



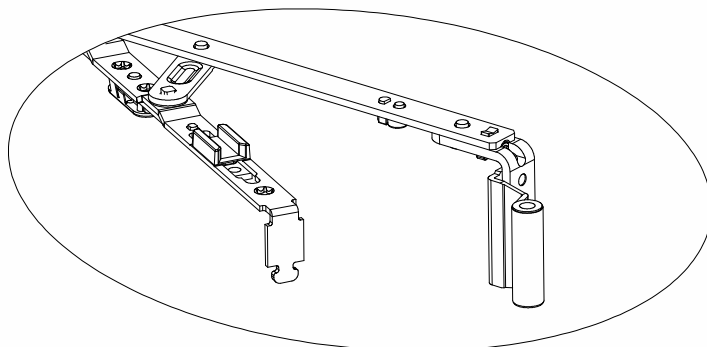
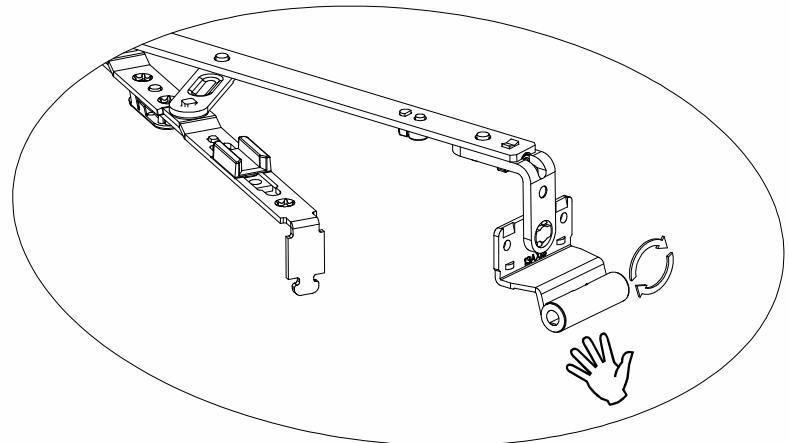
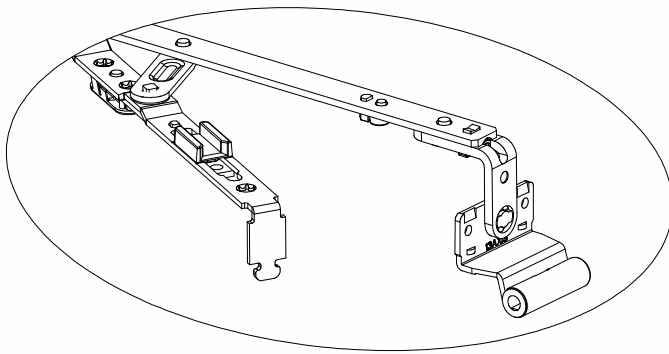
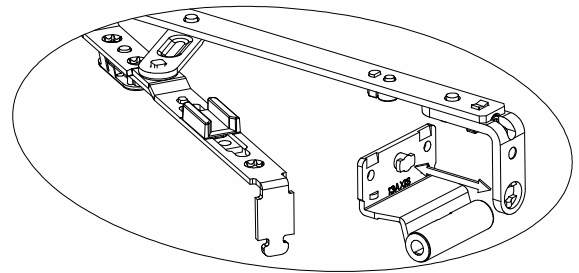
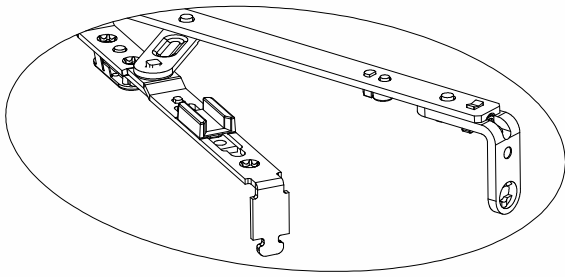
Product Code	Product Name	A(mm)	B(mm)	C(mm)	D(mm)	E(mm)		
P61088	Middle Lock 0-750mm / 0-29.52in	0-750mm 0-29.52in	335mm 13.18in	-	-	305mm 12in	1	3
P61089	Middle Lock 750-1450mm / 29.52-57.08in	750-1450mm 29.52-57.08in	480mm 18.89in	-	447mm 17.59in	152.5mm 6in	2	4
P61090	Middle Lock 1400-1900mm / 55.11-74.80in	1400-1900mm 55.11-74.80in	760mm 29.92in	-	730mm 28.74in	152.5mm 6in	2	4
P61091	Middle Lock 1900-2400 (1388mm) / 74.80-94.48 (54.64in9)	1900-2400mm 74.80-94.48in	1370mm 53.93in	1338mm 52.67in	760mm 29.92in	152.5mm 6in	3	8
P61092	Middle Lock 1900-2400 (1853mm) / 74.80-94.48 (72.95in)	1900-2400mm 74.80-94.48in	1835mm 72.24in	1803mm 70.98in	975mm 38.38in	152.5mm 6in	3	9
P61093	Middle Lock 950-1450mm / 37.40-52.57in	950-1450mm 37.40-52.57in	890mm 35.03in	-	860mm 33.85in	152.5mm 6in	2	4
P61094	Middle Lock 1150-1650mm / 45.27-64.96in	1150-1650mm 45.27-64.96in	580mm 22.83in	-	550mm 21.65in	152.5mm 6in	2	4
P61095	Middle Lock 750-1250mm / 29.52-49.21in	750-1250mm 29.52-49.21in	530mm 20.86in	-	500mm 19.68in	152.5mm 6in	2	4
P61096	Middle Lock 1250-1900mm / 49.21-74.80in	1250-1900mm 49.21-74.80in	830mm 32.67in	-	800mm 31.49in	152.5mm 6in	2	4
P61097	Security Middle Lock 0-750mm / 0-29.52in /MP	0-750mm 0-29.52in	335mm 13.18in	-	-	305mm 12in	1	3
P61098	Security Middle Lock 750-1450mm / 29.52-57.08in /MP	750-1450mm 29.52-57.08in	480mm 18.89in	-	447mm 17.59in	152.5mm 6in	2	4
P61099	Security Middle Lock 1400-1900mm / 55.11-74.80in/MP	1400-1900mm 55.11-74.80in	760mm 29.92in	-	730mm 28.74in	152.5mm 6in	2	4
P61100	Security Middle Lock 1900-2400mm/74.80-94.48in /MP	1900-2400mm 74.80-94.48in	1370mm 53.93in	1338mm 52.67in	760mm 29.92in	152.5mm 6in	3	8
P61101	Security Middle Lock 950-1450mm / 37.40-52.57in /MP	950-1450mm 37.40-52.57in	890mm 35.03in	-	860mm 33.85in	152.5mm 6in	2	4
P61102	Security Middle Lock 1150-1650mm / 45.27-64.96in /MP	1150-1650mm 45.27-64.96in	580mm 22.83in	-	550mm 21.65in	152.5mm 6in	2	4
P61103	Security Middle Lock 750-1250mm / 29.52-49.21in /MP	750-1250mm 29.52-49.21in	530mm 20.86in	-	500mm 19.68in	152.5mm 6in	2	4
P61104	Security Middle Lock 1250-1900mm / 49.21-74.80in /MP	1250-1900mm 49.21-74.80in	830mm 32.67in	-	800mm 31.49in	152.5mm 6in	2	4
P61105	Security Middle Lock 750-1450mm / 29.52-57.08in / 1P / 1MP	750-1450mm 29.52-57.08in	480mm 18.89in	-	447mm 17.59in	152.5mm 6in	2	4
P61106	Security Middle Lock 1400-1900mm / 55.11-74.80in / 1P / 1MP	1400-1900mm 55.11-74.80in	760mm 29.92in	-	730mm 28.74in	152.5mm 6in	2	4
P61107	Security Middle Lock 1900-2400mm / 74.80-94.48in / 1P / 1MP	1900-2400mm 74.80-94.48in	1370mm 53.93in	1338mm 52.67in	-	152.5mm 6in	2	4



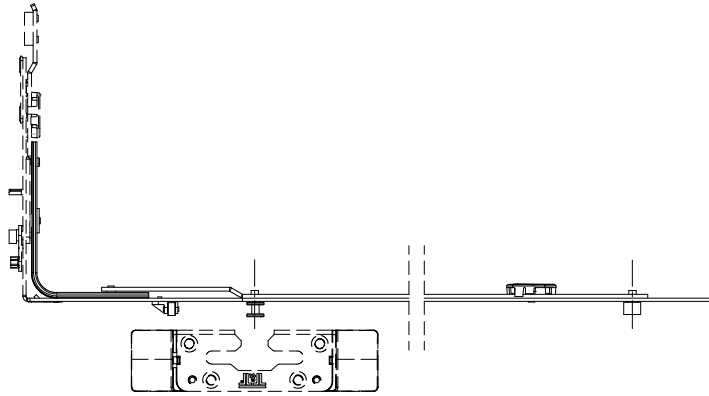
# Middle Lock With Stay Arm Fixing Assembly Applications





# Sash Top Hinge With Stay Arm Fixing Assembly Applications

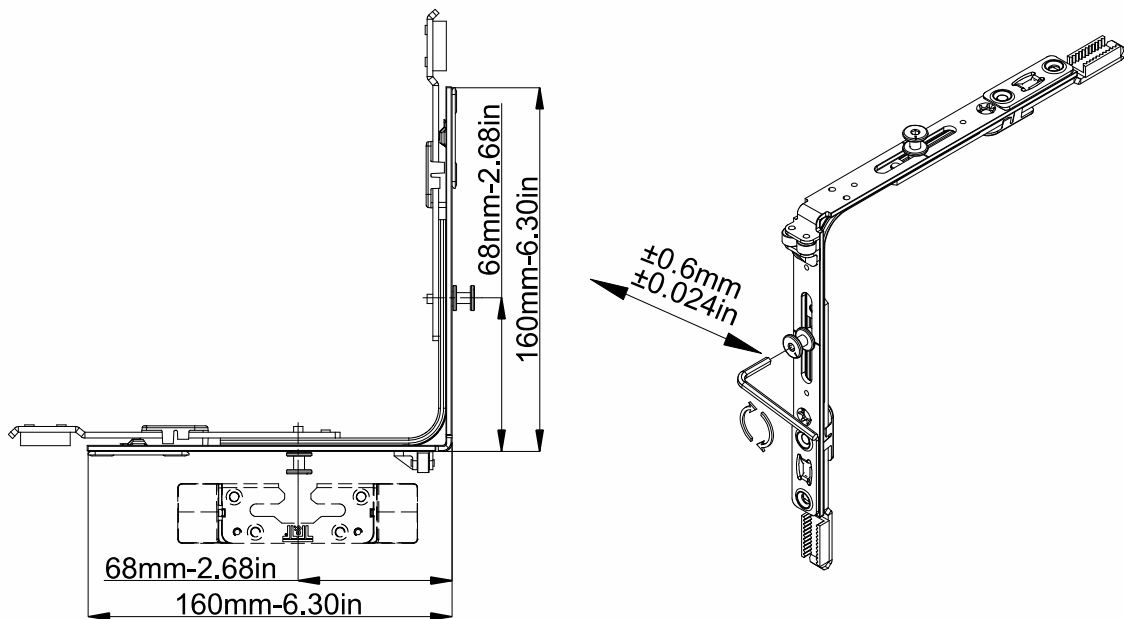



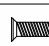
# Tilt And Turn Bottom Locks With Roller



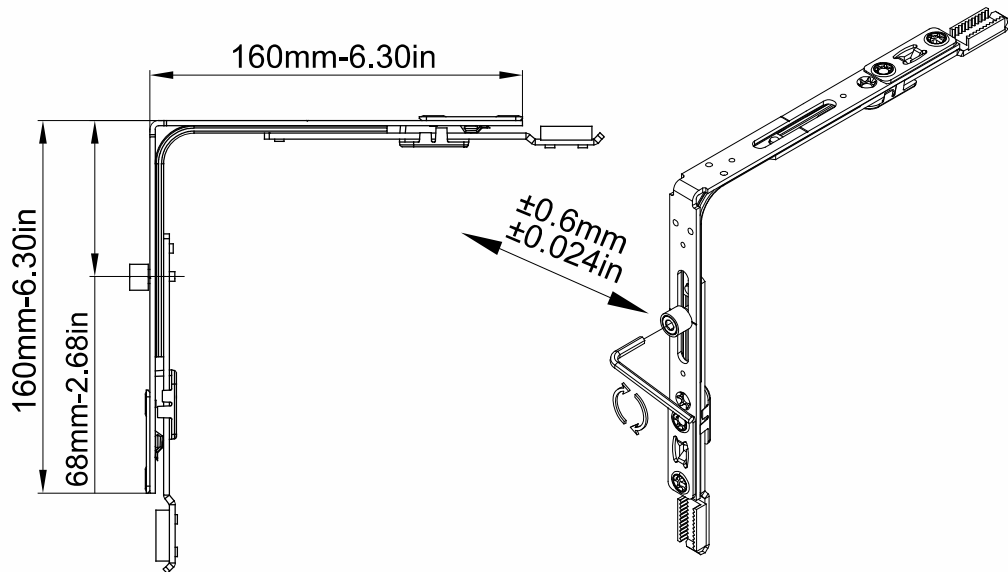
Product Code	Product Name	A(mm)	B(mm)	C(mm)	D(mm)	E(mm)		
P61109	Tilt And Turn With Roller Bottom Lock 0-750mm / 0-29.52in/1MP	0-750mm 0-29.52in	355mm 13.97in	-	300mm 11.81in	-	1	3
P61117	Tilt And Turn With Roller Bottom Lock 750-1450mm / 29.52-57.08in/1MP1P	750-1450mm 29.52-57.08in	497mm 18.85in	-	442mm 17.40in	147.5mm 5.8in	2	3
P61110	Tilt And Turn With Roller Bottom Lock 750-1450mm / 29.52-5	750-1450mm 29.52-57.08in	497mm 18.85in	-	442mm 17.40in	147.5mm 5.8in	2	3
P61118	Tilt And Turn With Roller Bottom Lock 1400-1900mm / 55.11-74.80in/1MP1P	1400-1900mm 55.11-74.80in	780mm 30.70in	-	725mm 28.54in	147.5mm 5.8in	2	4
P61111	Tilt And Turn With Roller Bottom Lock 1400-1900mm / 55.11-74.80in/2MP	1400-1900mm 55.11-74.80in	780mm 30.70in	-	725mm 28.54in	147.5mm 5.8in	2	4
P61119	Tilt And Turn With Roller Bottom Lock 1900-2400mm / 74.80-94.48in/1MP2P	1900-2400mm 74.80-94.48in	1388mm 54.64in	1333mm 52.48in	755mm 29.72in	147.5mm 5.8in	3	8
P61112	Tilt And Turn With Roller Bottom Lock 1900-2400mm / 74.80-94.48in/3MP	1900-2400mm 74.80-94.48in	1853mm 72.95in	1798mm 70.78in	973mm 38.30in	147.5mm 5.8in	3	8



# Tilt And Turn Corner 160x160mm-6.30x6.30in With Roler



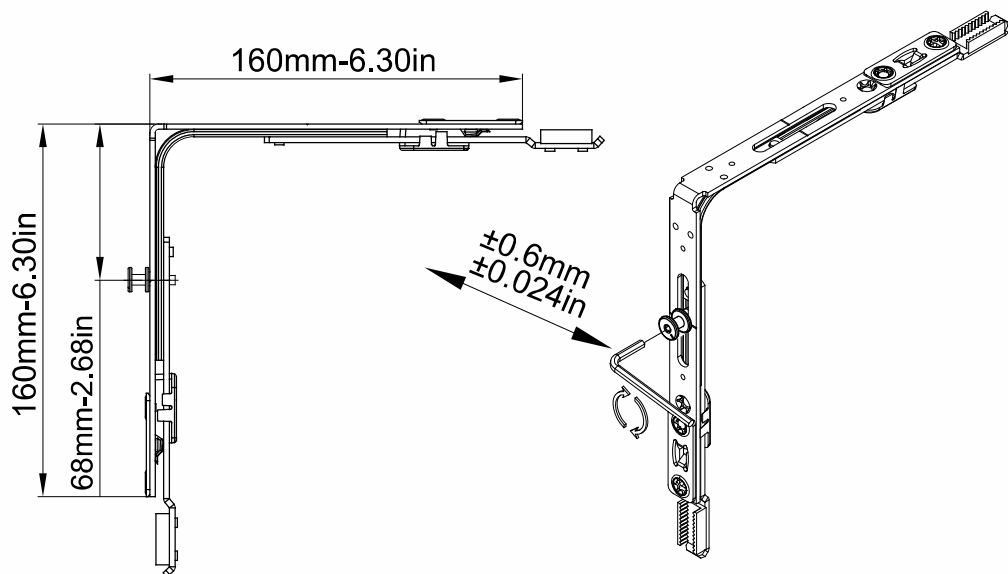
Product Code	Product Name		
P52018	Corner 160x160mm 6.30x6.30in 1P/1SP	2	2
P52019	Corner 160x160mm 6.30x6.30in / 2SP	2	2
P52020	Corner 160x160mm 6.30x6.30in /1SP	1	4


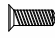
# Tilt And Turn Corner 160x160mm-6.30x6.30in /1P



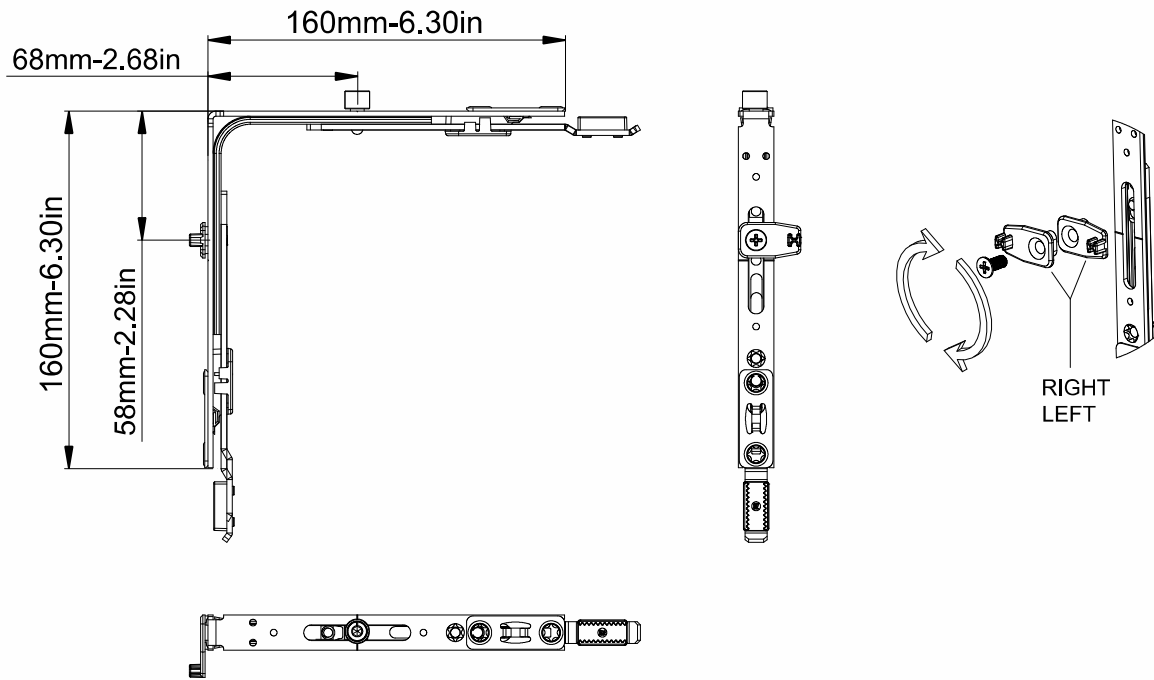
Product Code	Product Name		
P52008	Corner 160x160mm 6.30x6.30in / 1P	1	4


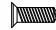
# Tilt And Turn Corner 160x160mm-6.30x6.30in / 1SP



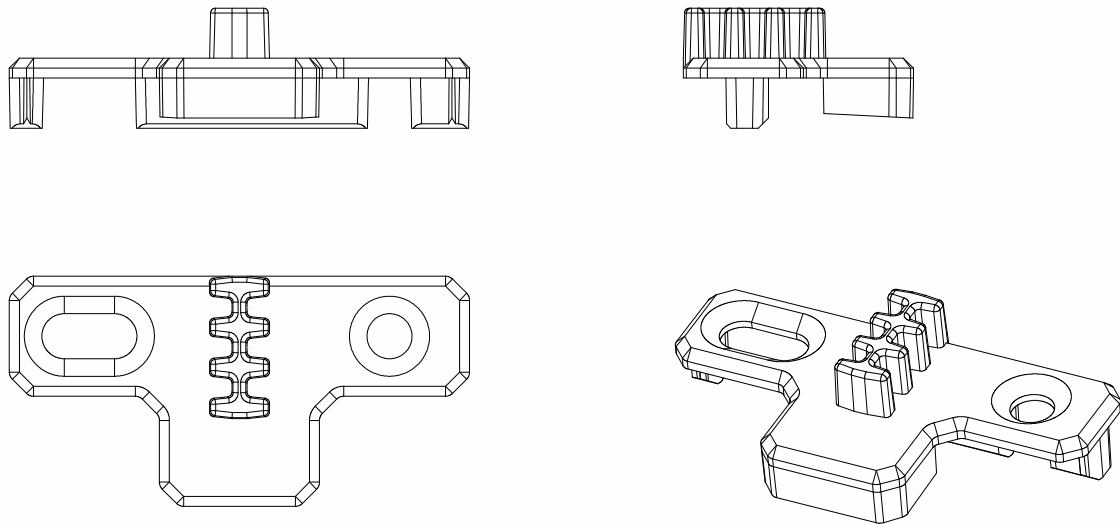
Product Code	Product Name		
P52009	Corner 160x160mm 6.30x6.30in / 1SP	1	4



# Microventilation Corner 160x160 /1P Four Stages T&T



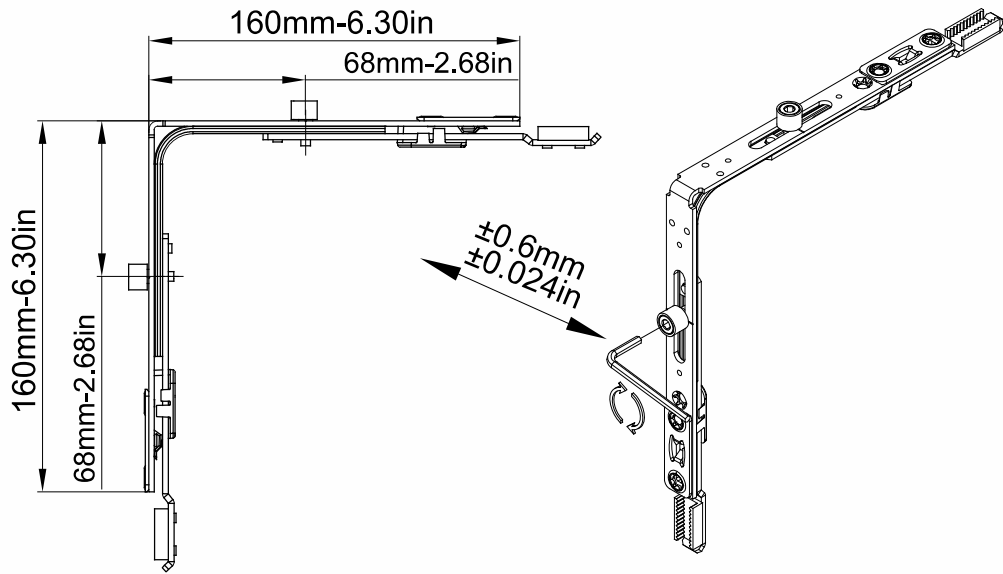
Product Code	Product Name		
P52024	Microventilation Corner 160x160 /1P Four Stages T&T	1	4


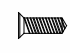
# Microventilation Striker Four Stages T&T



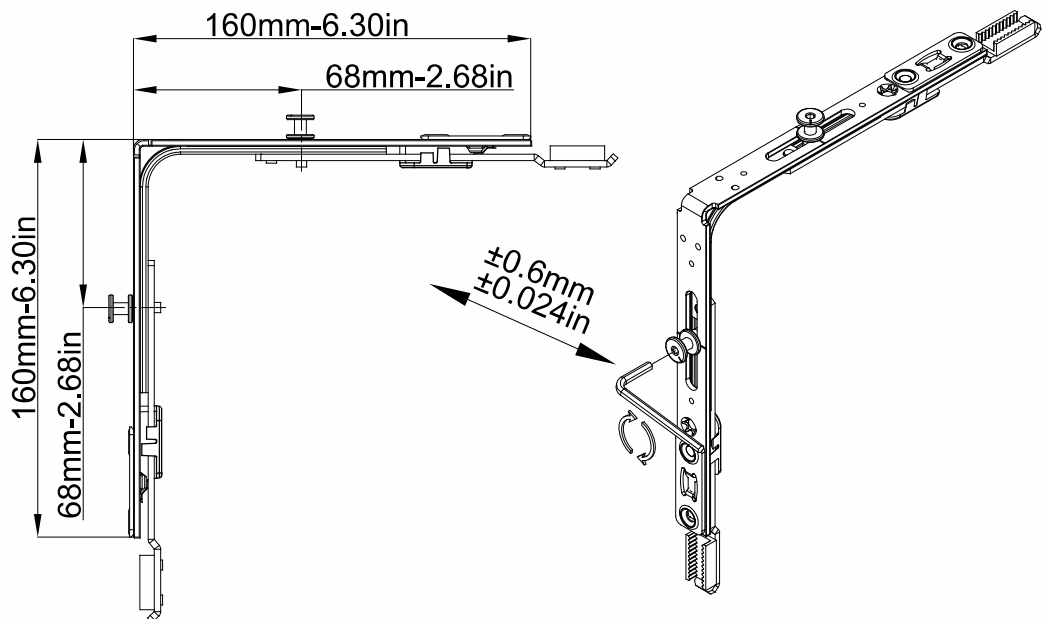
Product Code	Product Name		
P58020	Microventilation Striker Four Stages T&T	1	2



## Tilt And Turn Corner 160x160mm-6.30x6.30in / 2P



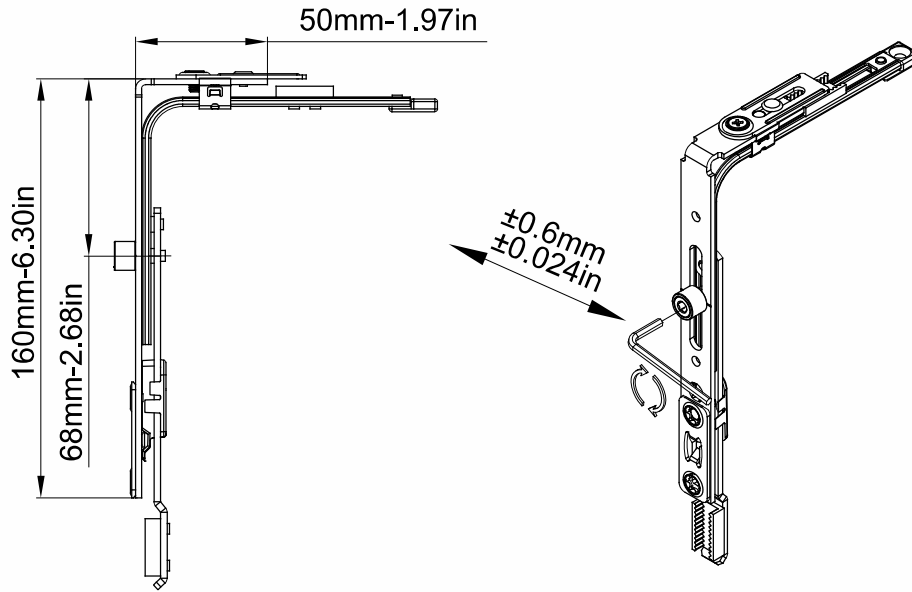
Product Code	Product Name		
P52003	Corner 160x160mm-6.30x6.30in / 2P	2	4


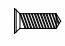
## Tilt And Turn Corner 160x160mm-6.30x6.30in / 2SP



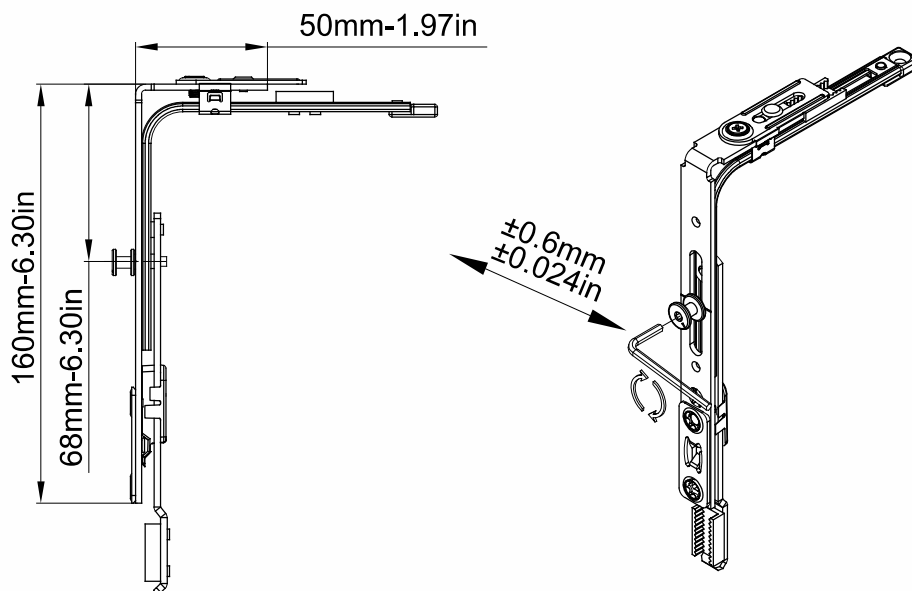
Product Code	Product Name		
P52007	Corner 160x160mm 6.30x6.30in / 2SP	2	4


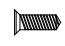
# Tilt And Turn Corner 160x50mm-6.30x1.97in / 1P



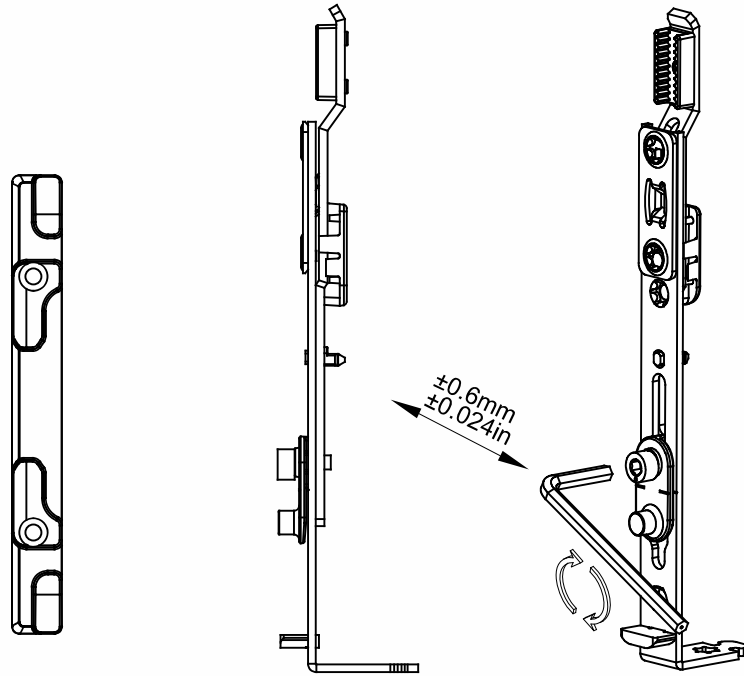
Product Code	Product Name		
P52001	Corner 160x160 / 1P	1	1



# Tilt And Turn Corner 160x50mm-6.30x1.97in / 1SP

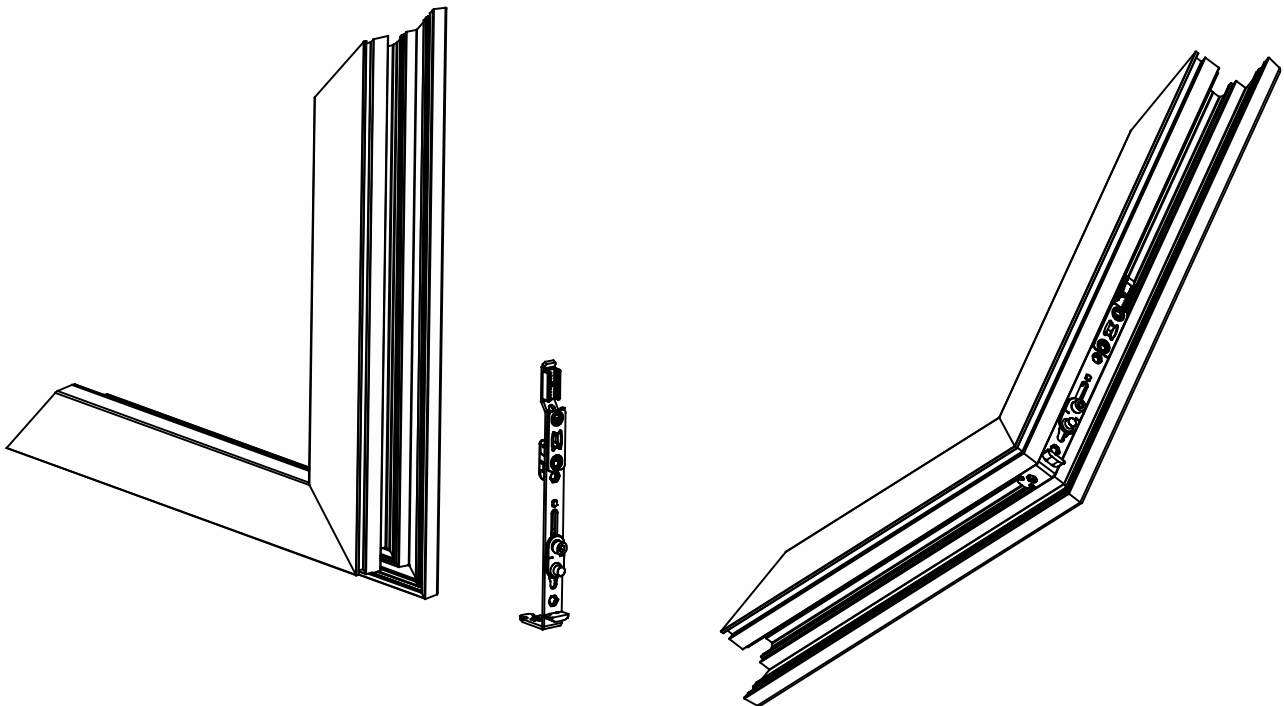


Product Code	Product Name		
P52006	Corner 160x160mm-6,30x630in / 1SP	1	1

# Tilt And Turn Bottom Extension Piece

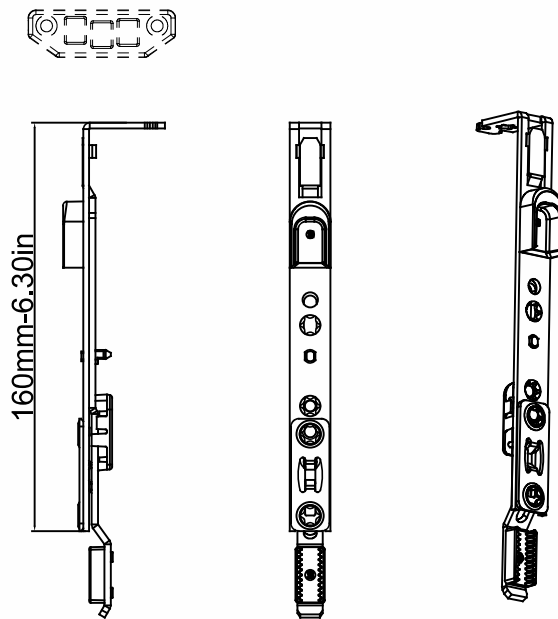



Product Code	Product Name		
P56022	Bottom Extension Piece	1	3



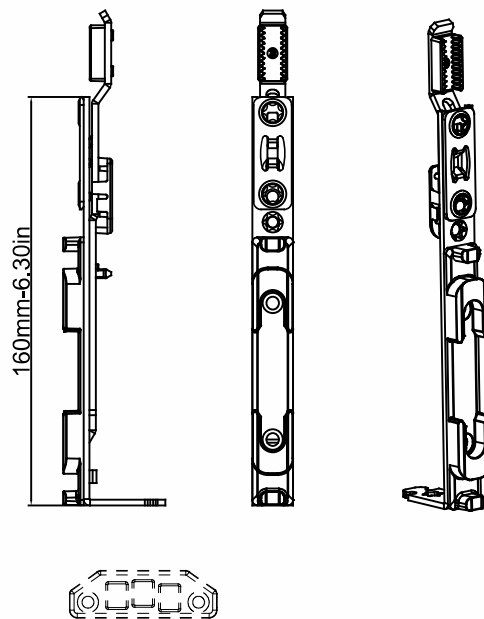


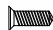
## Turn Lock / Top



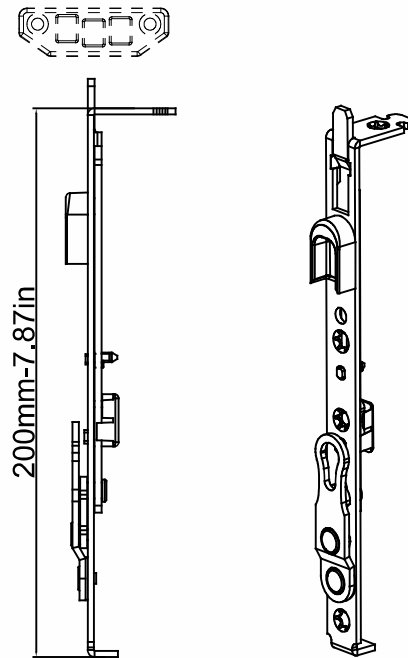
Product Code	Product Name	
P56024	Turn Lock / Top	2


## Turn Lock / Bottom



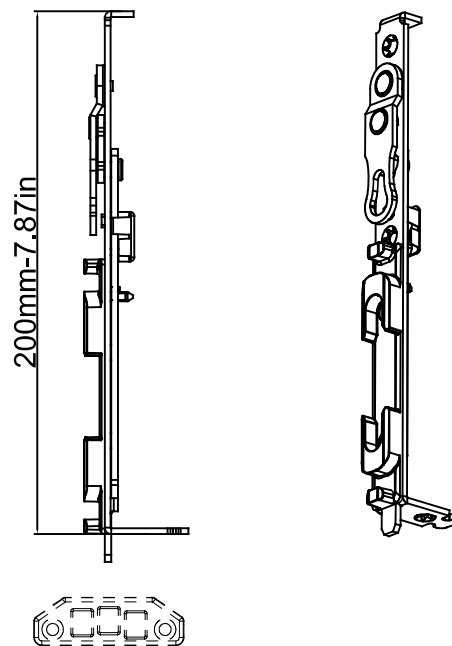
Product Code	Product Name	
P56023	Turn Lock / Top	2


## Locking Bolt With Roller Striker / Top



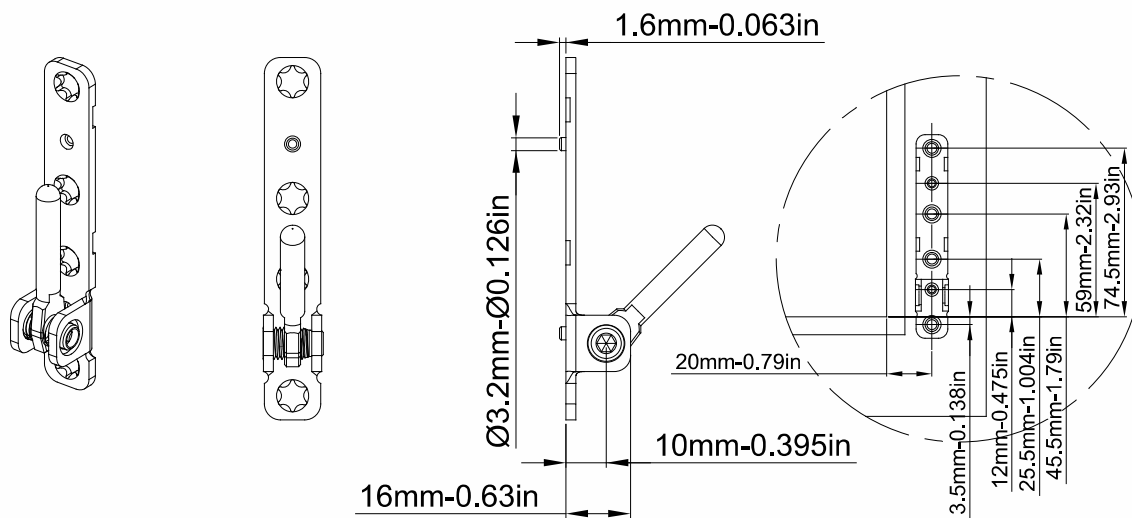
Product Code	Product Name	
P56026	Locking Bolt With Roller Striker / Top	2


## Locking Bolt With Tilt Striker / Bottom



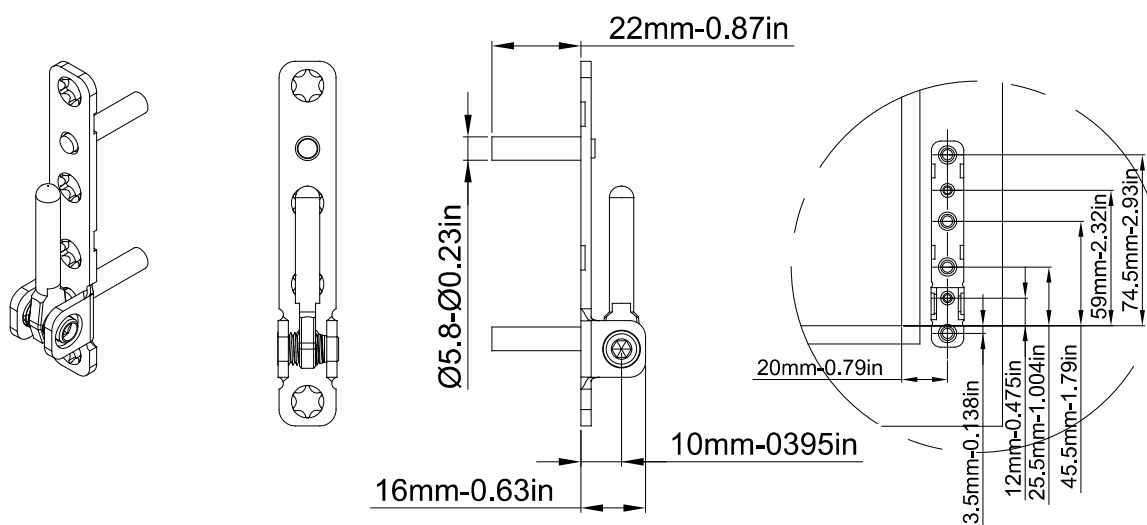
Product Code	Product Name	
P56025	Locking Bolt With Tilt Striker / Bottom	2


# Tilt And Turn Frame Bottom Hinge - 100KG



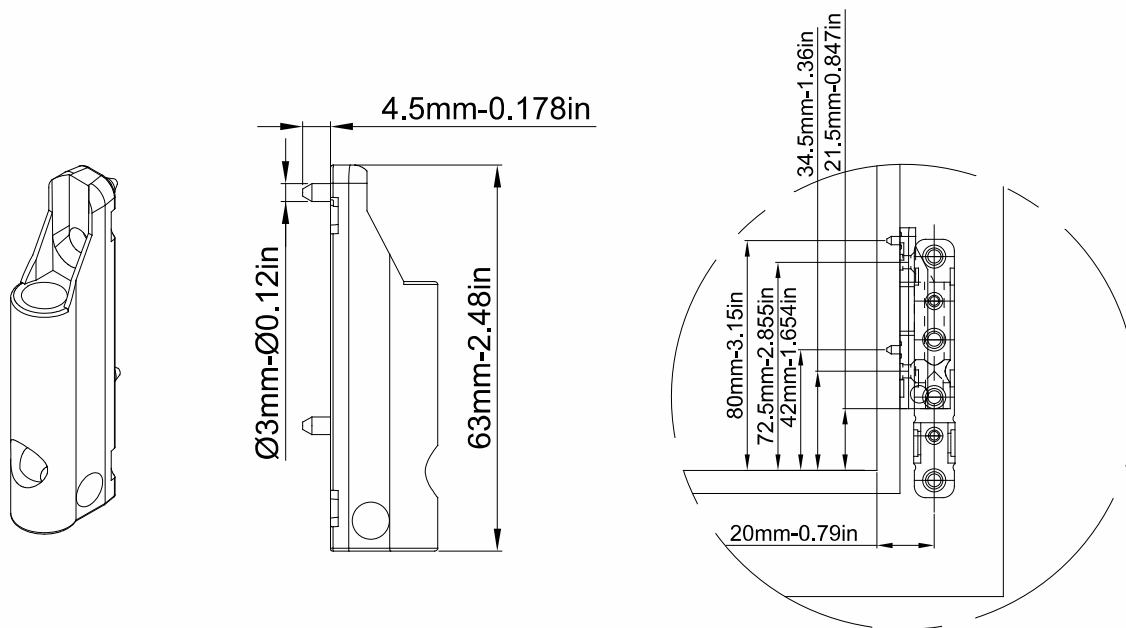
Product Code	Product Name	
P53007	Frame Bottom Hinge - 100 KG	4


# Tilt And Turn Frame Bottom Hinge - 130 KG



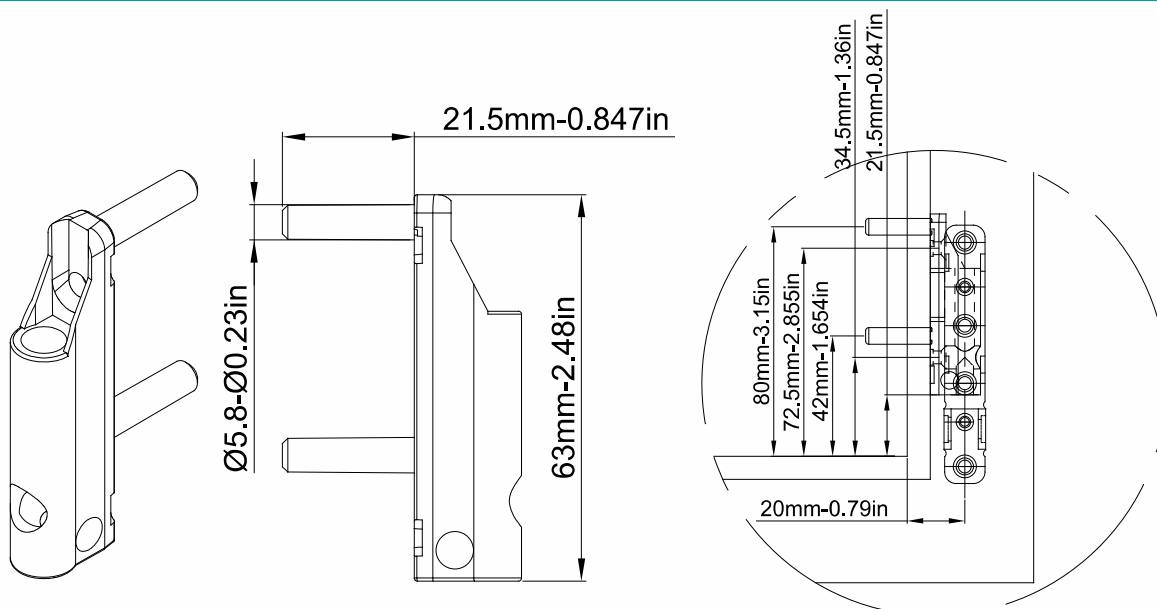
Product Code	Product Name	
P53006	Frame Bottom Hinge - 130 KG	4


## Tilt And Turn Sash Bottom Hinge - 100 KG



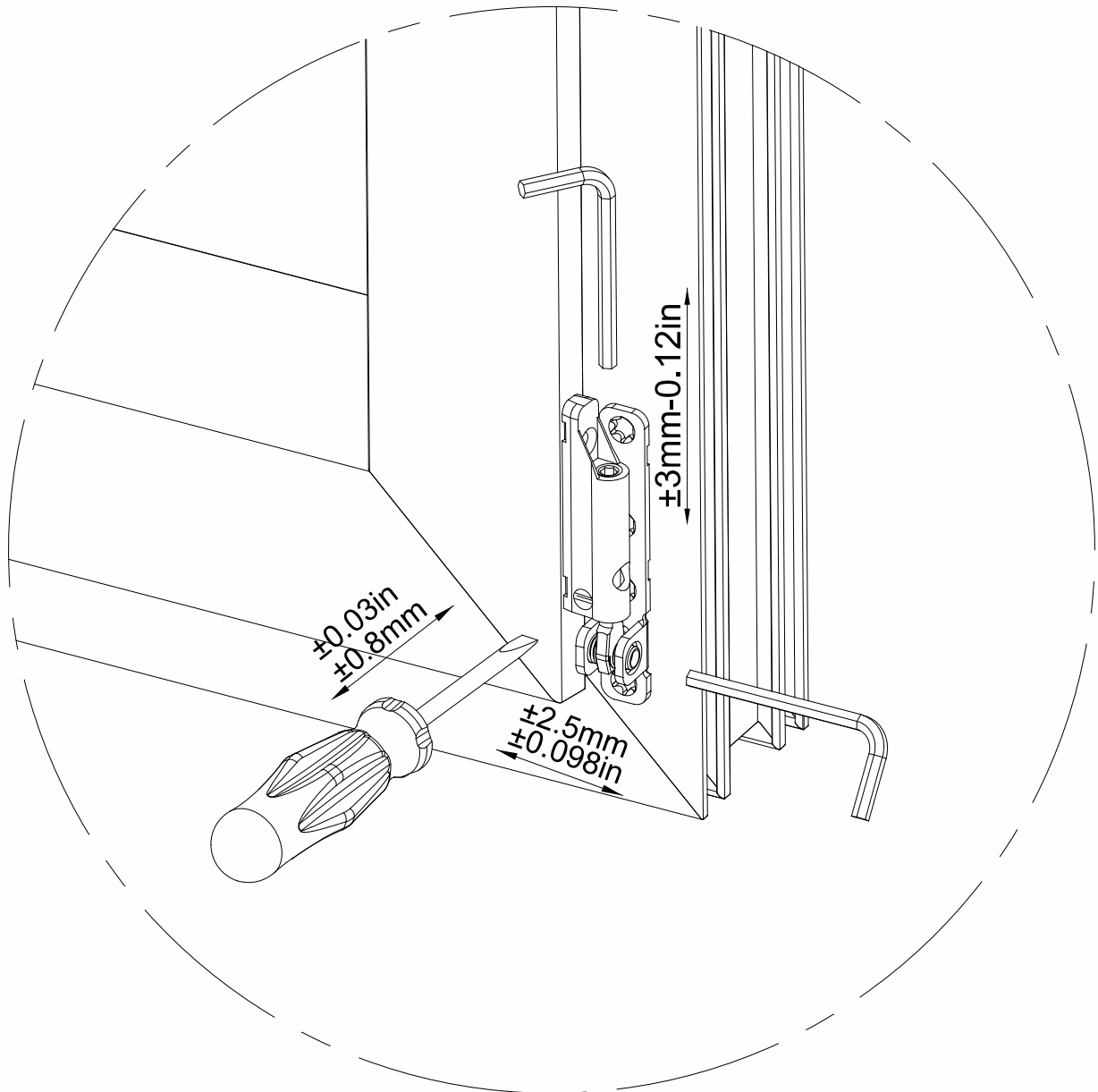
Product Code	Product Name	
P54007	Sash Bottom Hinge - 100 KG	2

## Tilt And Turn Sash Bottom Hinge - 130 KG

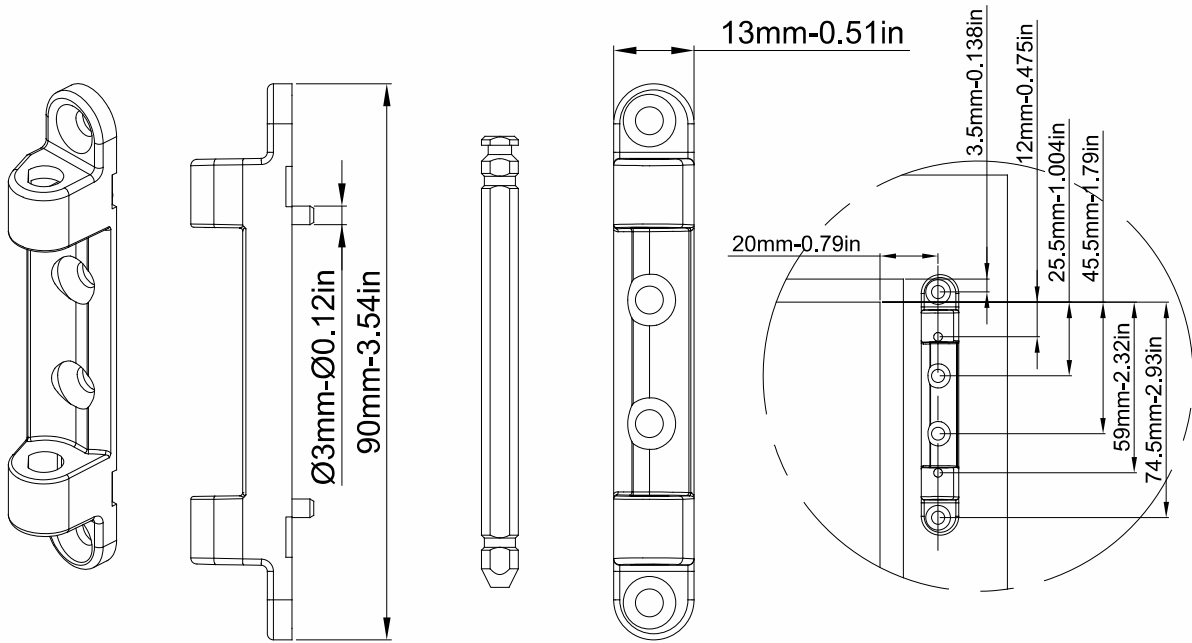


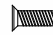
Product Code	Product Name	
P54006	Sash Bottom Hinge - 130 KG	2

# Setting Applications Of Bottom Hinges

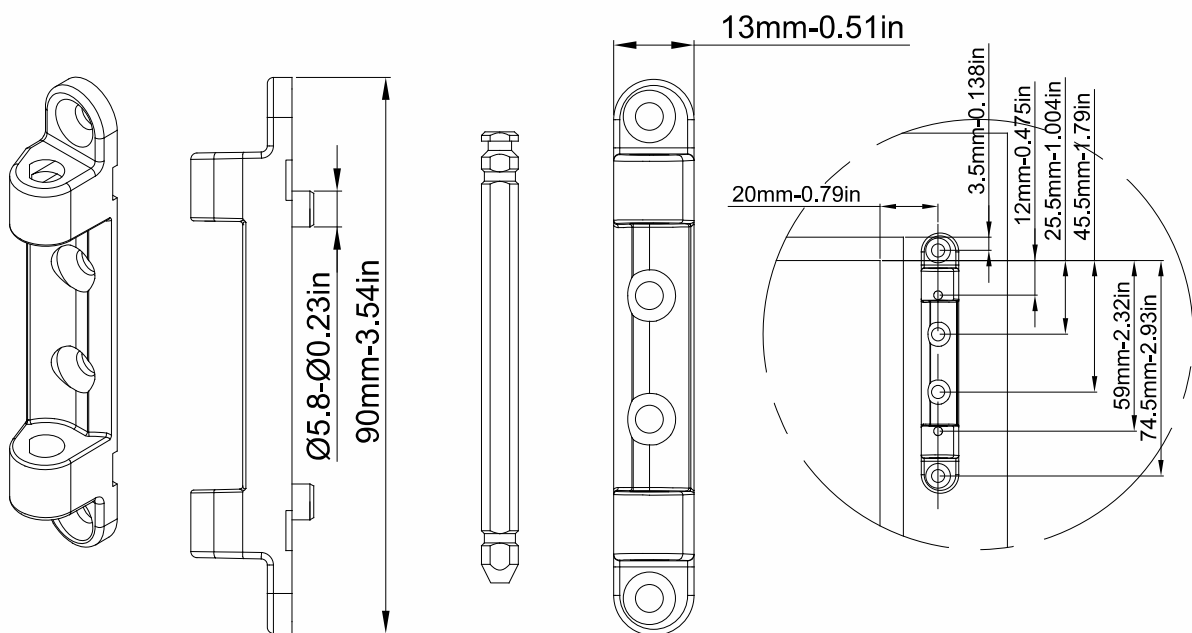


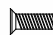
# Tilt And Turn Frame Top Hinge - 100 KG



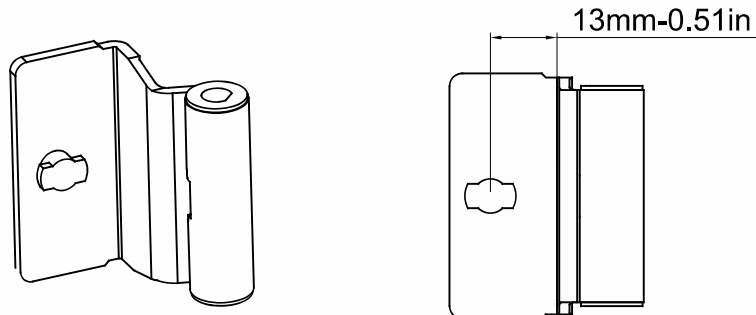
Product Code	Product Name	
P55007	Frame Top Hinge - 100 KG	4

# Tilt And Turn Frame Top Hinge - 130 KG



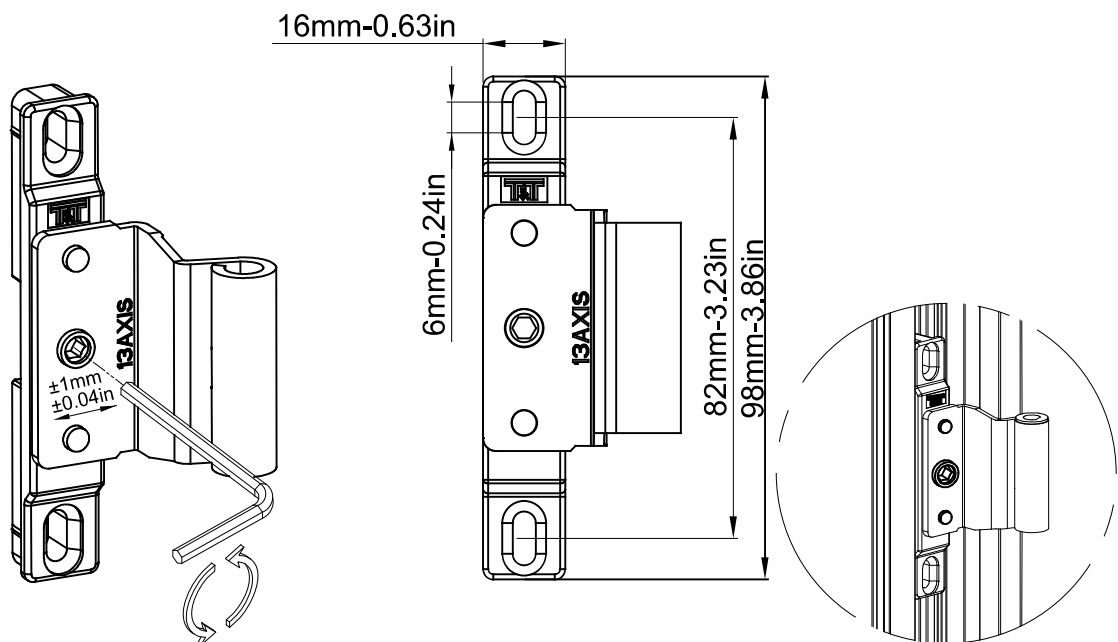
Product Code	Product Name	
P55006	Frame Top Hinge - 130 KG	4


# Tilt And Turn Sash Top Hinge 13 Axis



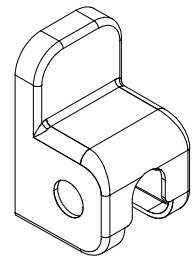
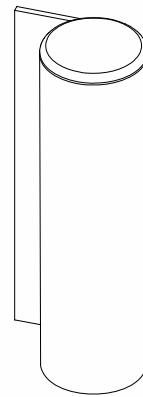
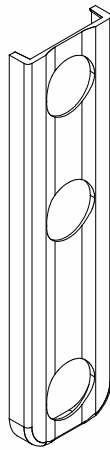
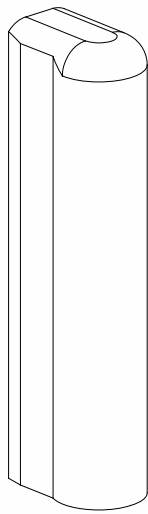
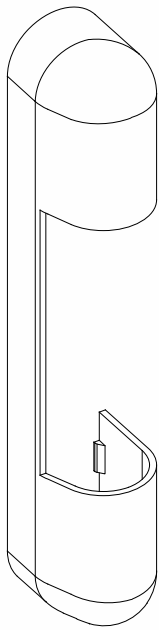
Product Code	Product Name
P60011	Sash Top Hinge 13 Axis

# Double Sash Centre Rotating Hinge 13 Axis



Product Code	Product Name	
P66002	Double Sash Centre Rotating Hinge 13 Axis	2

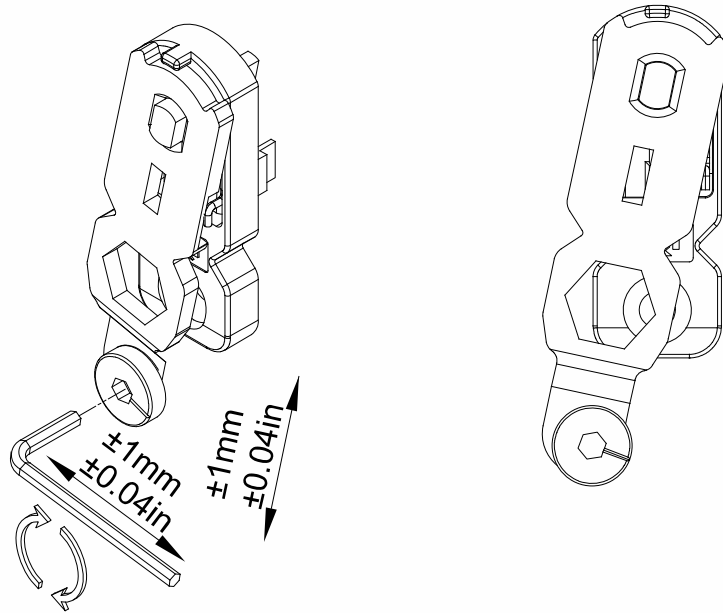
# Tilt And Turn Plastic Cover Sets




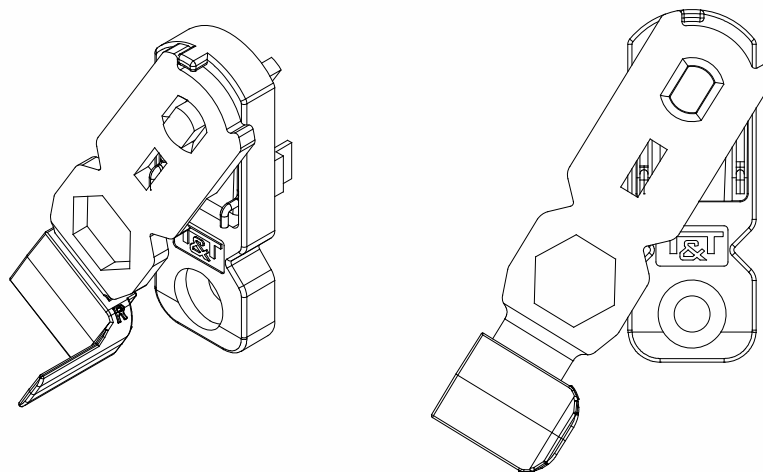
Product Code	Product Name
P57079	Corner Hinge Plastic Cover Set /Ral 9016 Right
P57080	Corner Hinge Plastic Cover Set /Ral 8019 Right
P57081	Corner Hinge Plastic Cover Set /Ral 8003 Right
P57076	Corner Hinge Plastic Cover Set /Ral 9016 Left
P57077	Corner Hinge Plastic Cover Set /Ral 8019 Left
P57078	Corner Hinge Plastic Cover Set /Ral 8003 Left
P57043	Plastic Cover Set Ral 9016
P57044	Plastic Cover Set Ral 8019
P57045	Plastic Cover Set Ral 8003




# Tilt And Turn Fault Usage

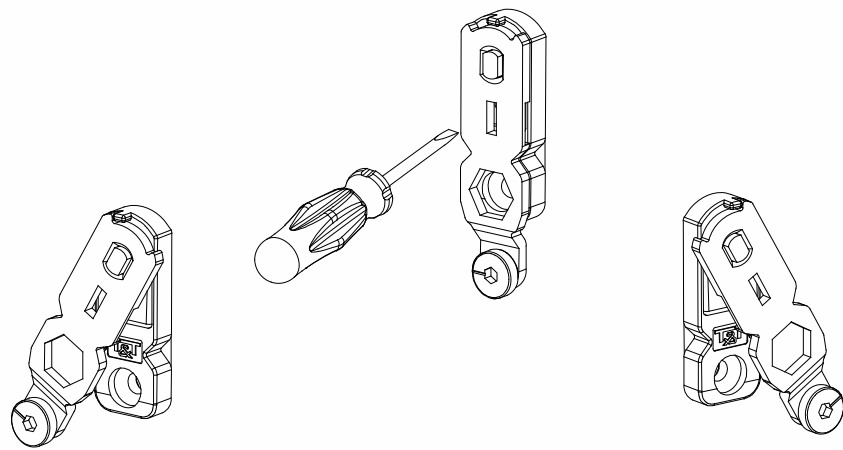
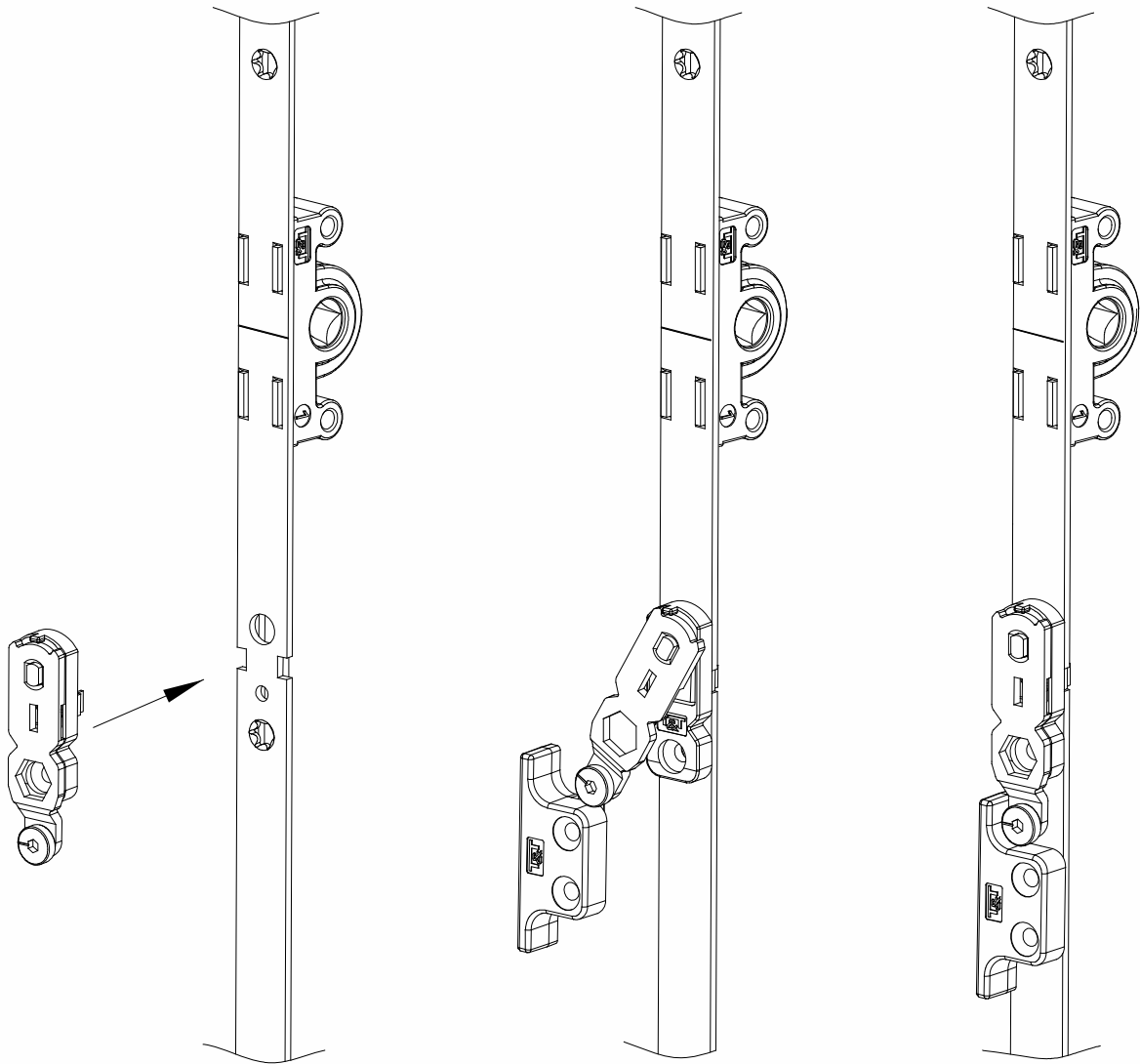


Product Code	Product Name	
P58031	Fault Usage Roller	1

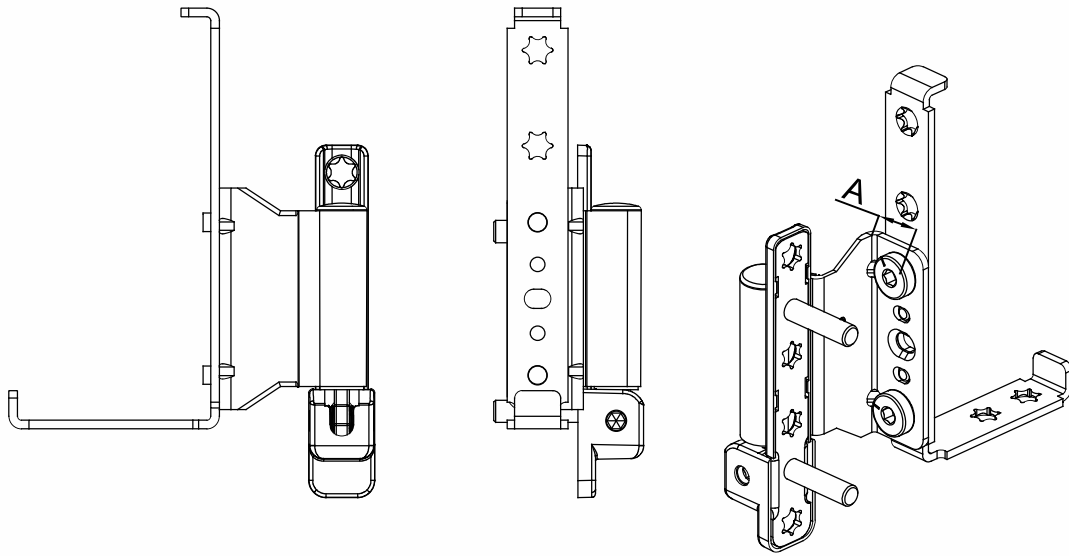


Product Code	Product Name	
P58042	Fault Usage Roller 13 Axis	1

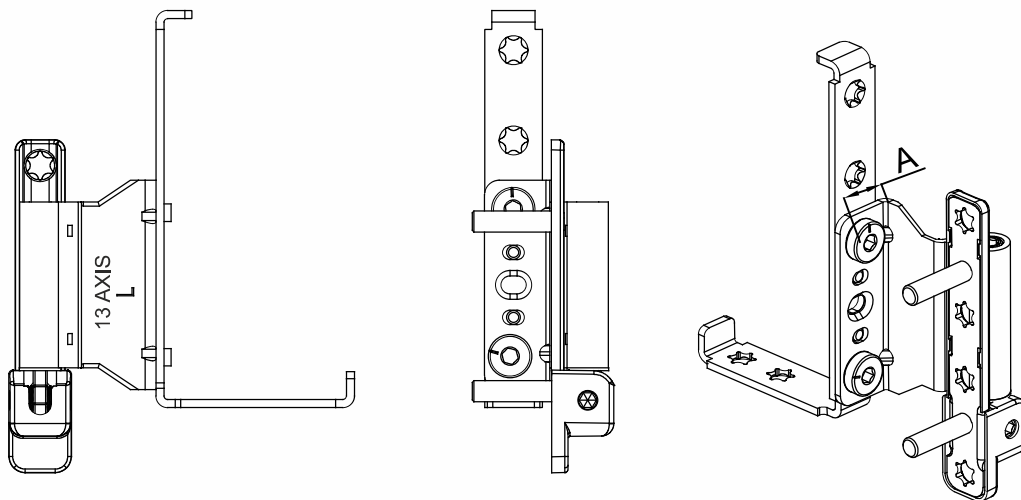
# Assembly Applications Of Fault Usage



# Tilt And Turn Corner Hinge

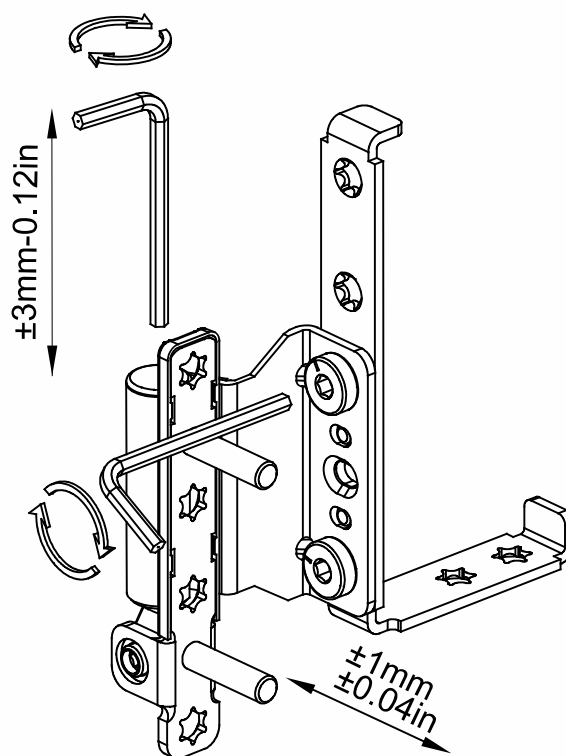
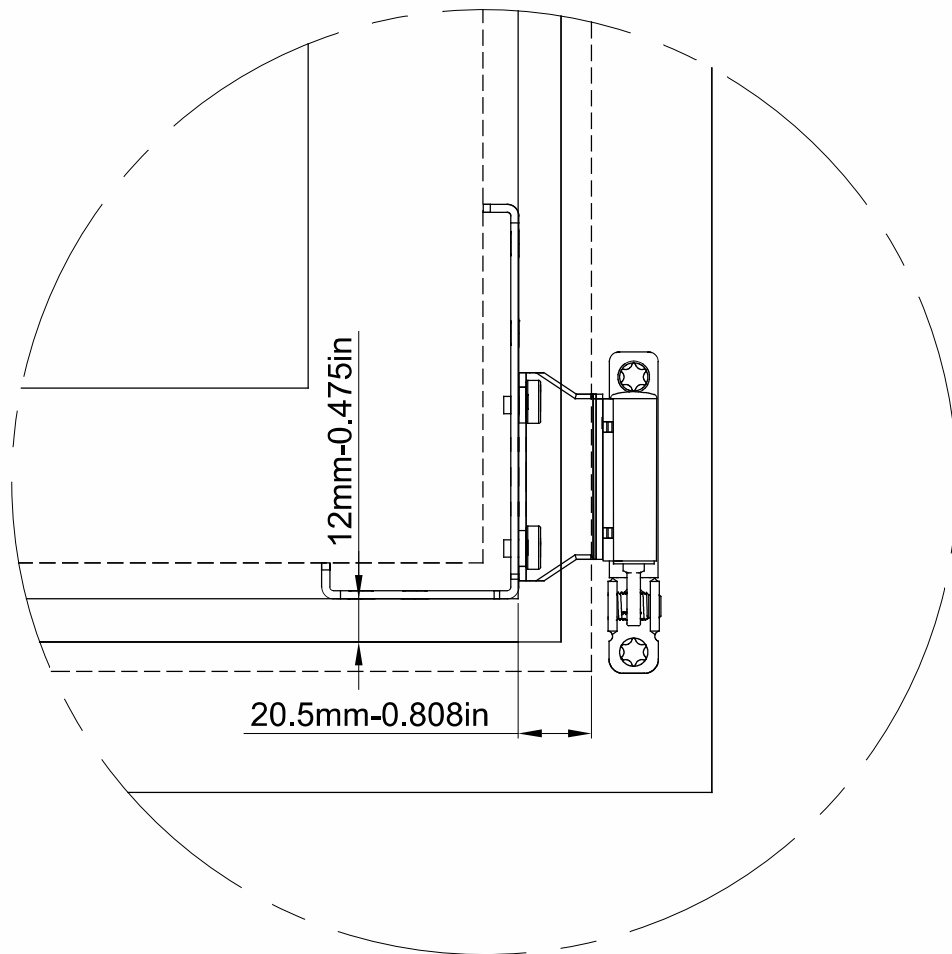


Product Code	Product Name	A
P53023	Corner Hinge 13 Axis Right	13mm 0.51in

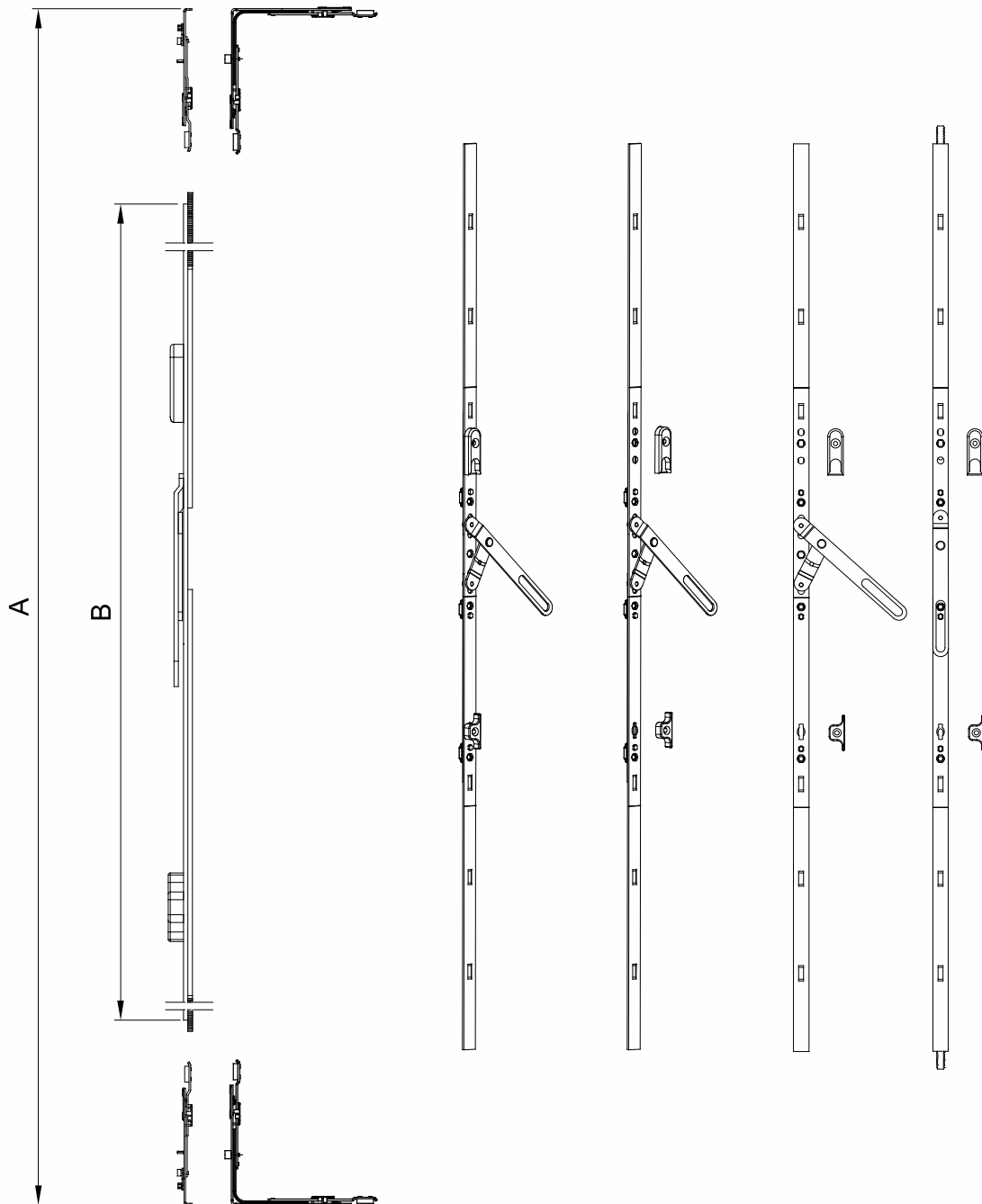




Product Code	Product Name	A
P53024	Corner Hinge 13 Axis Left	13mm 0.51in

# Setting Application Of Corner Hinge

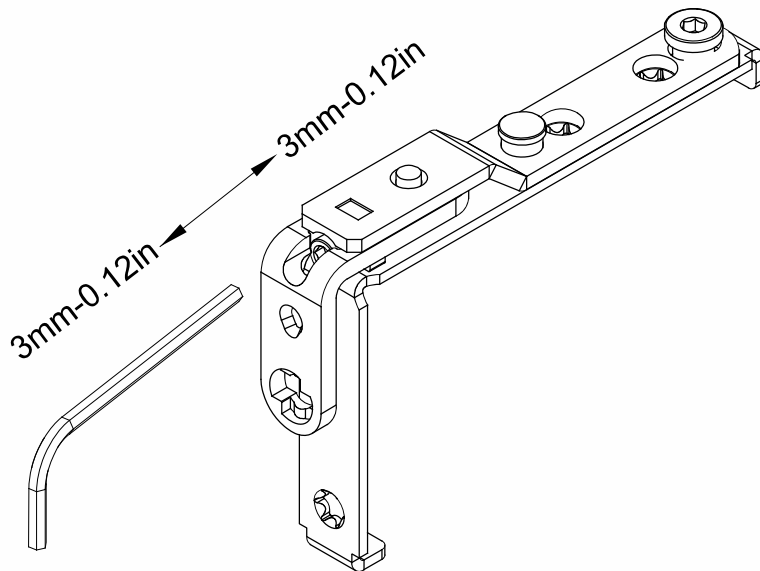
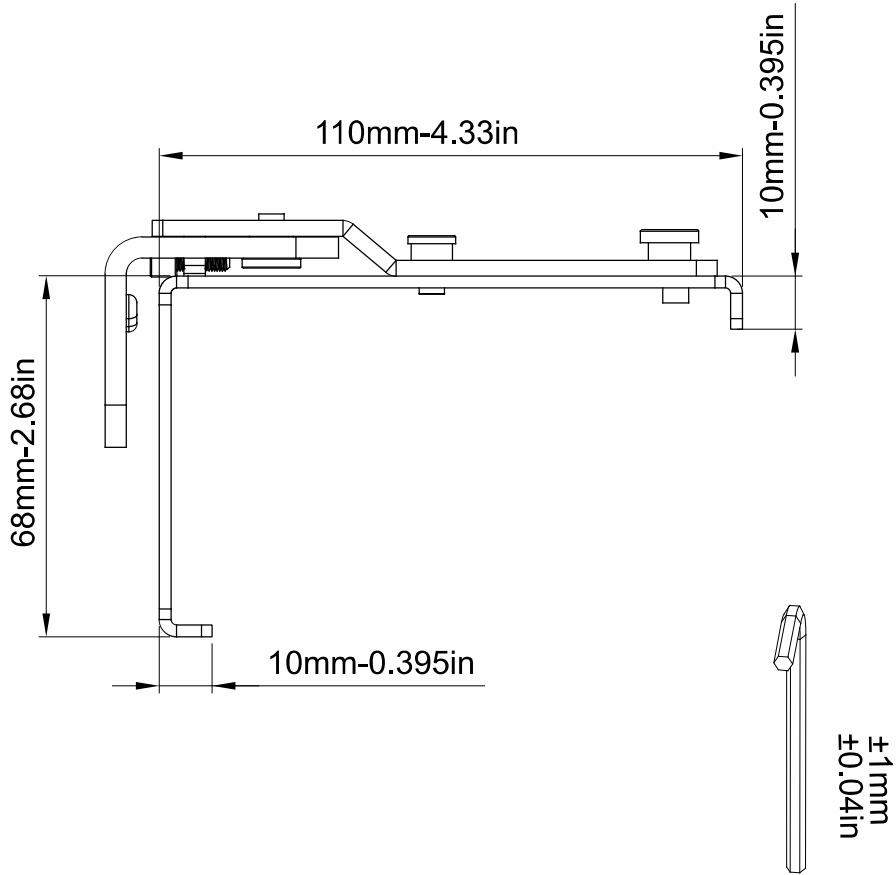



# Double Sash Espagnolettes



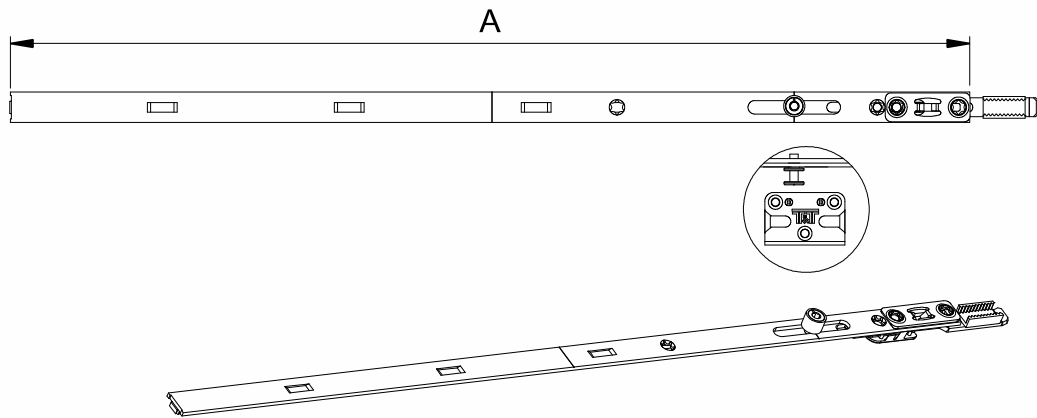
Product Code	Product Name	A(mm)	B(mm)		
P65013	Double Sash Espagnolette 580-750mm 22.83-29.52in	580 - 750mm 22.83-29.52in	430mm 16.93in	-	3
P65017	Double Sash Espagnolette 750-1250mm 29.83-49.21in	750-1250mm 29.83-49.21in	930mm 36.61in	1	5
P65018	Double Sash Espagnolette 950-1450mm 37.40-57.09in	950-1450mm 37.40-57.09in	1130mm 44.49in	1	6
P65019	Double Sash Espagnolette 1400-1900mm 55.12-74.80in	1400-1900mm 55.12-74.80in	1580mm 62.20in	2	8
P65020	Double Sash Espagnolette 1900-2400mm 74.80-94.49in	1900-2400mm 74.80-94.49in	2080mm 81.89in	2	8


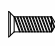
# Setting Applications Of Double Sash Passive Hinge



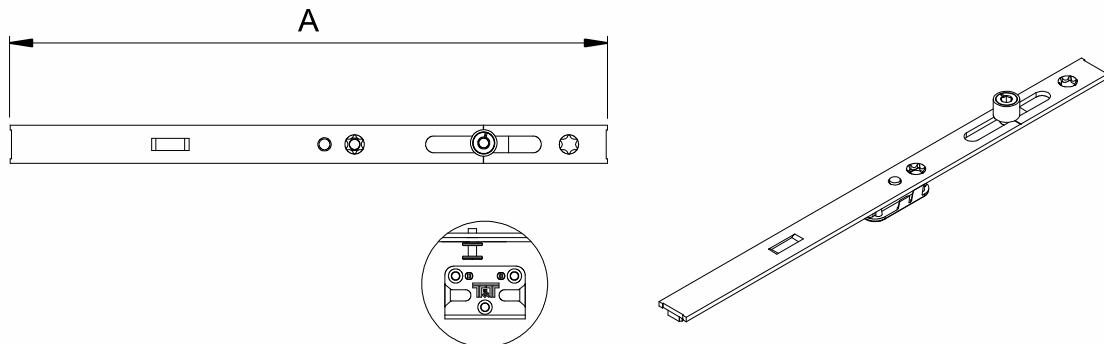
Product Code	Product Name	
P66020	Double Sash Passive Hinge	3



# Tilt And Turn Extension Pieces



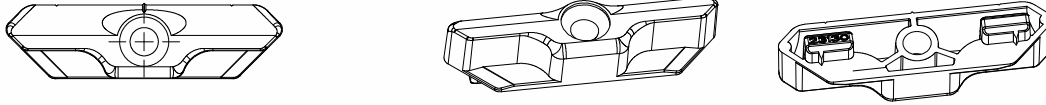
Product Code	Product Name	A(mm)		
P61054	Extention Piece 120-250mm 4.72-9.84in	120-250mm 4.72-9.84in	-	1
P61023	Extention Piece 120-250mm 4.72-9.84in 1P	150-250mm 4.72-9.84in	1	1
P61022	Extention Piece 250-500mm 9.84-19.68in 1P	250-500mm 9.84-19.68in	1	2
P61053	Extention Piece 250-500mm 9.84-19.68in	250-500mm 9.84-19.68in	-	2


# Tilt And Turn Supplementary Locking Mechanisms

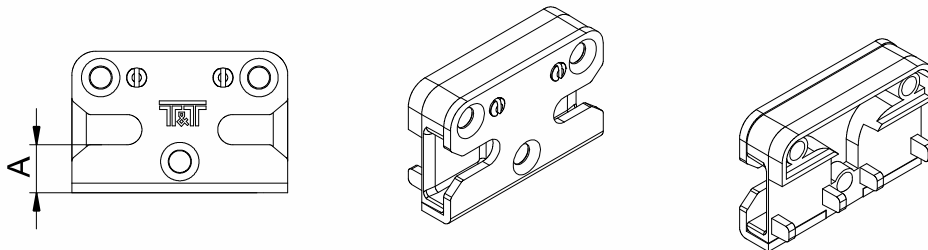



Product Code	Product Name	A(mm)		
P61003	Supplementary Locking Mechanism 250mm 9.84in MP	250mm 9.84in	1	2
P61004	Supplementary Locking Mechanism 500mm 19.68in MP	500mm 19.68in	1	3
P61048	Supplementary Locking Mechanism 250mm 9.84in 1P	250mm 9.84in	1	2
P61049	Supplementary Locking Mechanism 500mm 19.68in 1P	500mm 19.68in	1	3

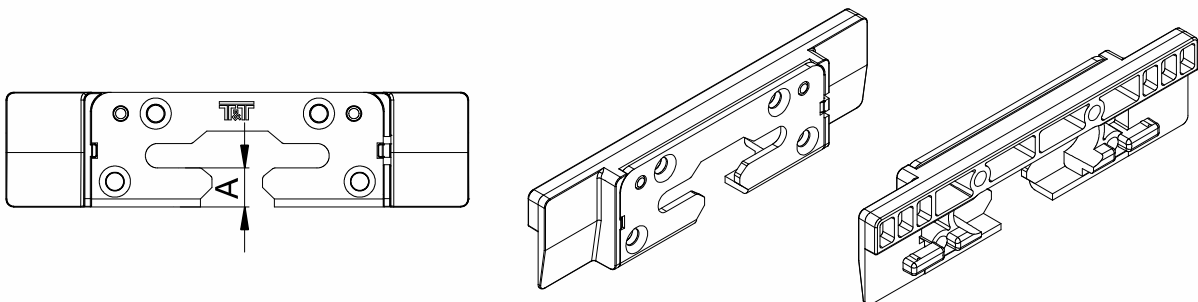
# Tilt And Turn Pin Strikers




Product Code	Product Name	
P23130	23130/13 Axis Pin Striker	1



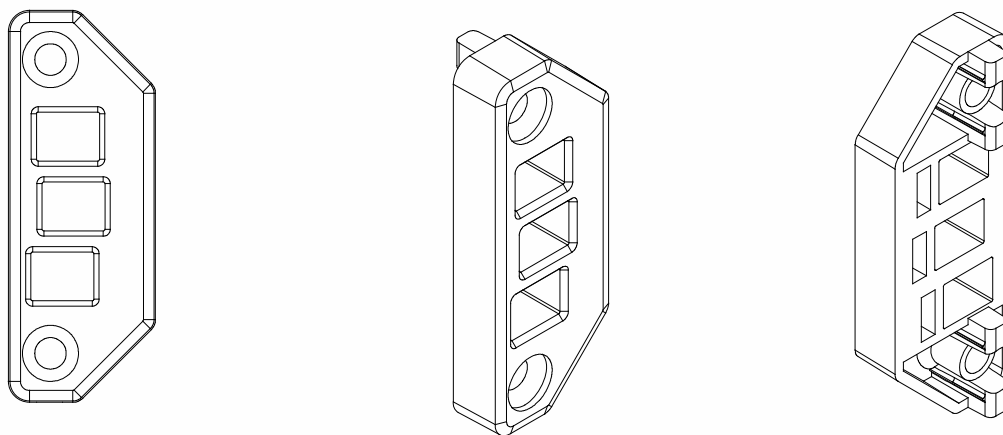
Product Code	Product Name		A
P58037	58037/ Security Striker 13 Axis	3	10mm 0.395in




Product Code	Product Name		A
P58040	58040/ Security Bottom Strikers 13 Axis	4	10mm 0.395in

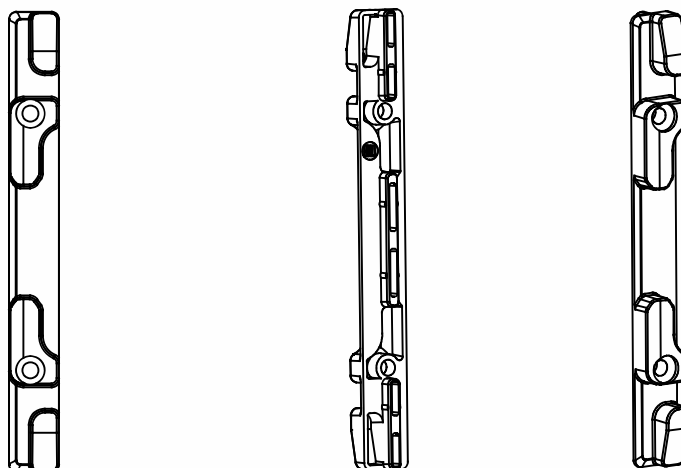


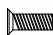
## Double Sash Corner Lock Strikers



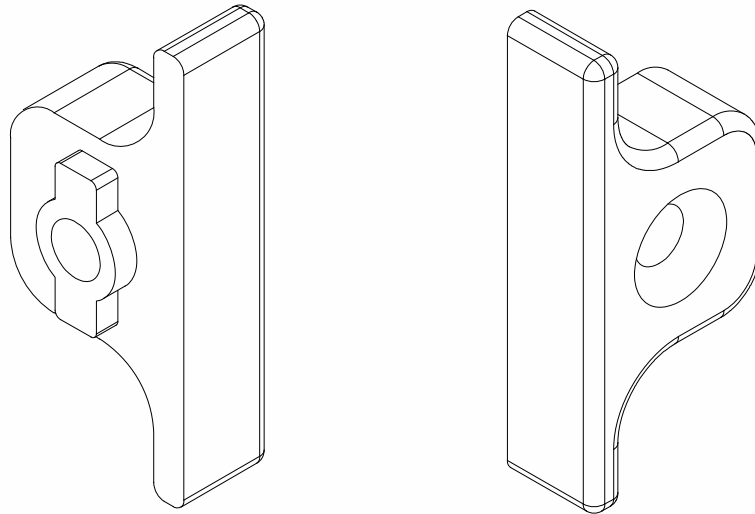
Product Code	Product Name	
P67002	Corner Lock Striker 13 Axis	2


## Tilt And Turn Pivot Striker



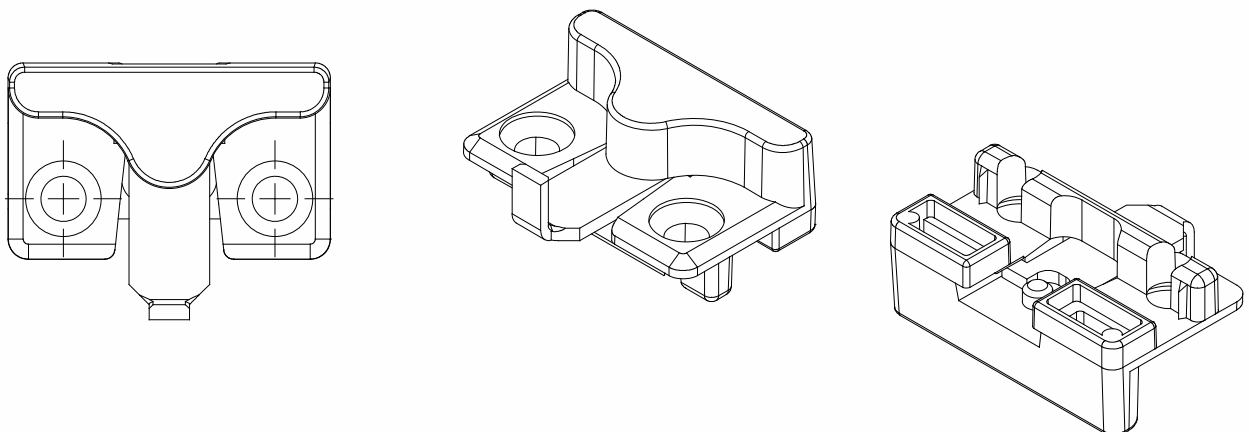
Product Code	Product Name	
P58059	Universal Pivot Striker 13 Axis	2


## Double Sash Fault Usage Striker



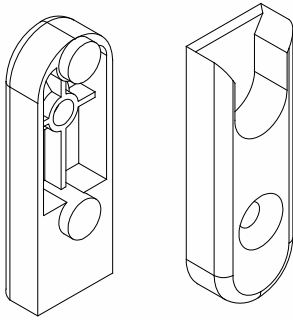
Product Code	Product Name	
P67003	Double Sash Fault Usage Striker	1


## Micro-ventilation Strikers



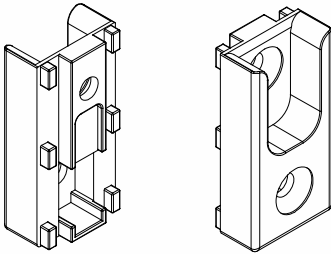
Product Code	Product Name	
P58014	Micro-ventilation Striker 13 Axis	2

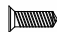
## Double Sash Espagnolette Striker



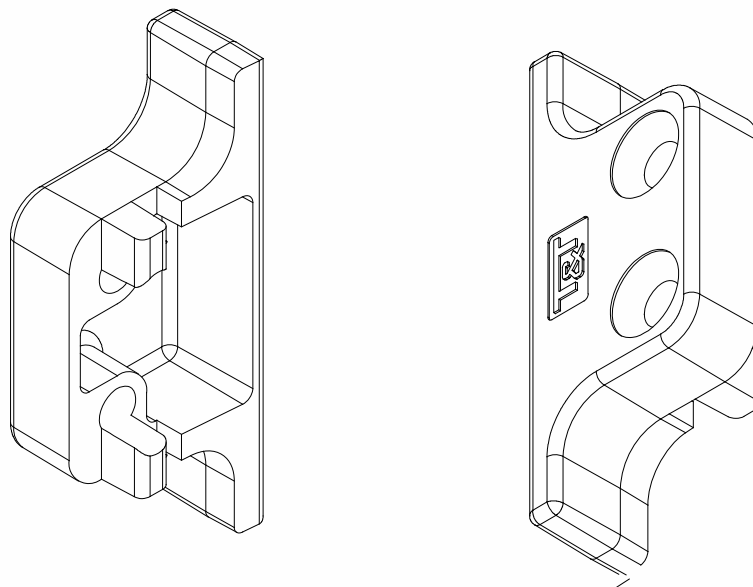
Product Code	Product Name	
P67004	Double Sash Espagnolette Striker	1


## Double Sash Roller Striker



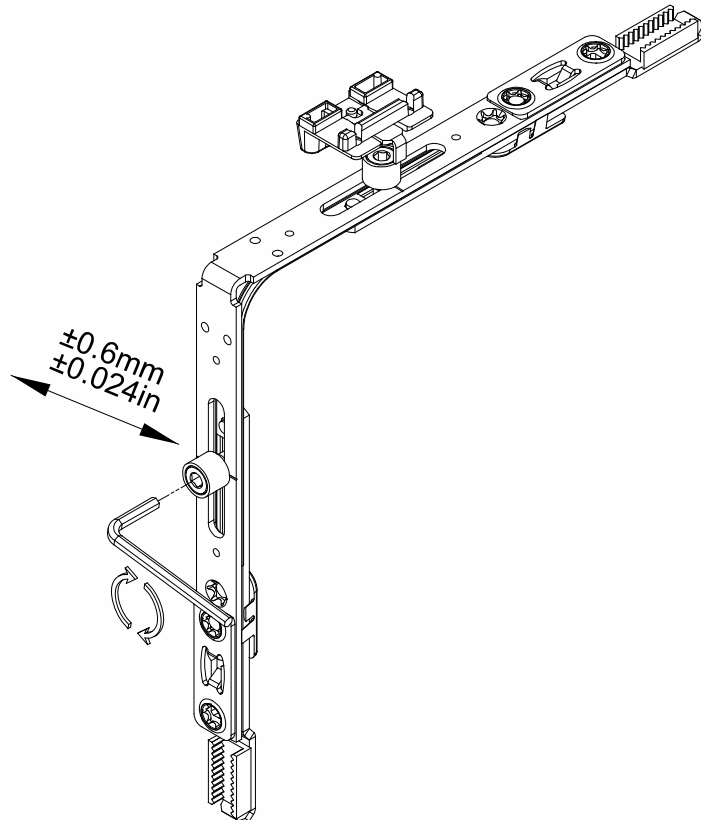
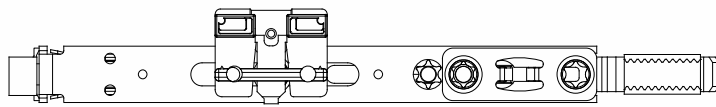
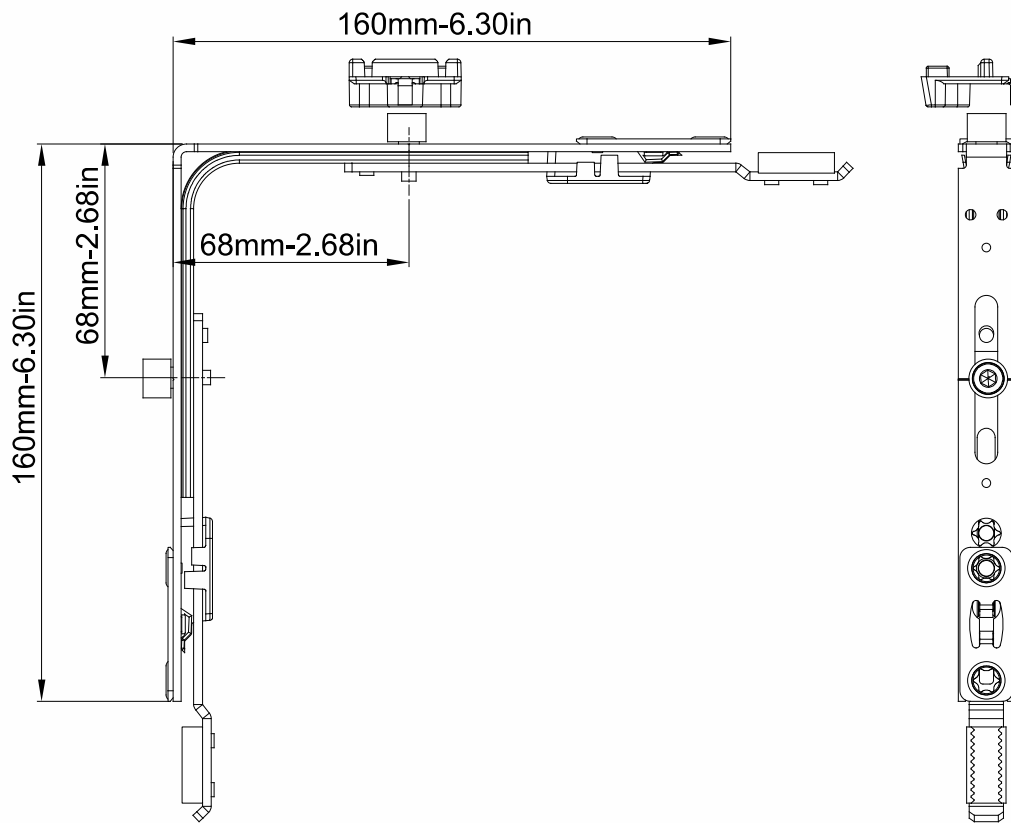
Product Code	Product Name	
P23018	Double Sash Striker	2

## Tilt And Turn Fault Usage Strikers

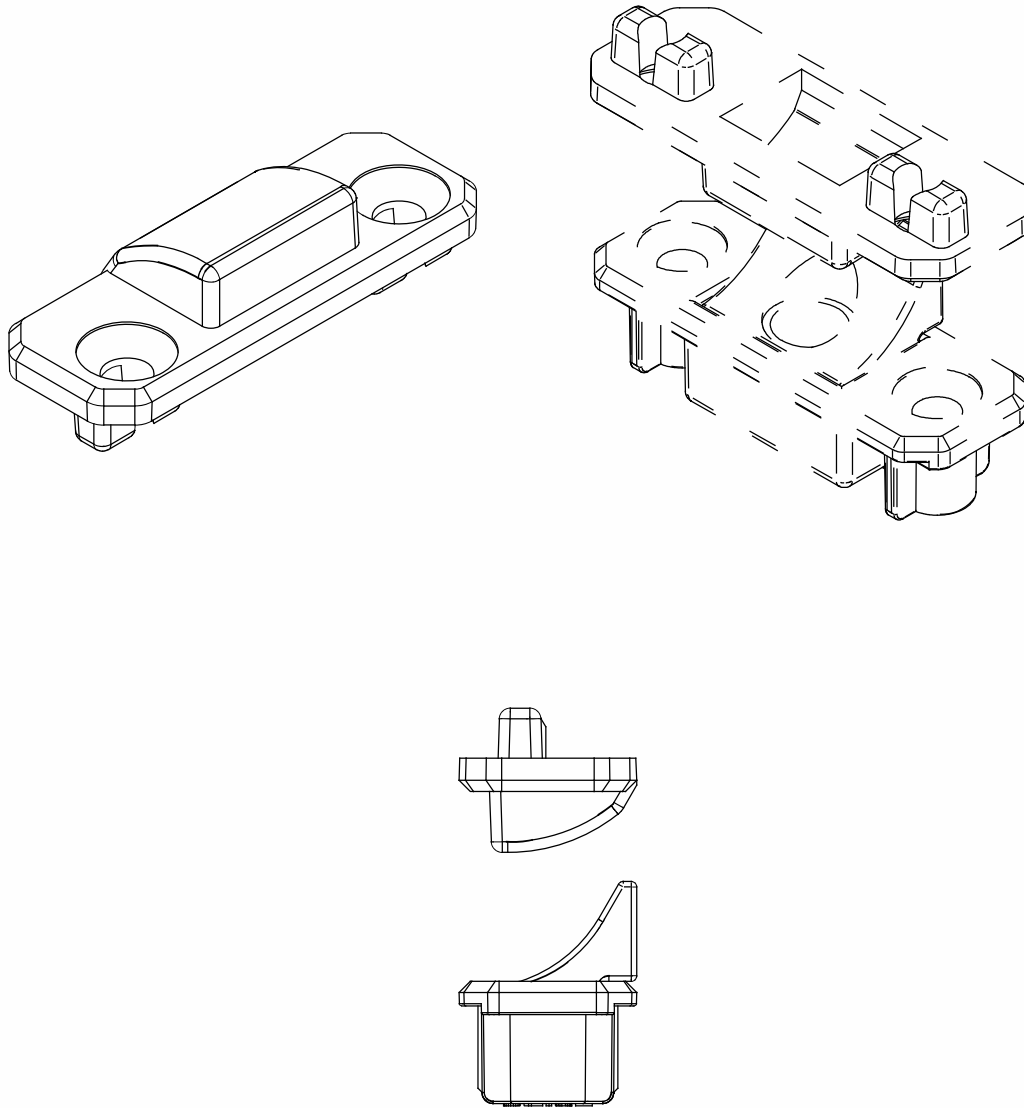



Product Code	Product Name	
P58004	Fault Usage Striker 13 Axis	2

# Tilt And Turn Micro-ventilation Corner Assembly Application

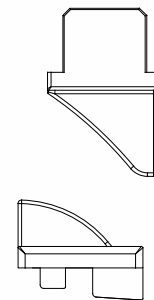
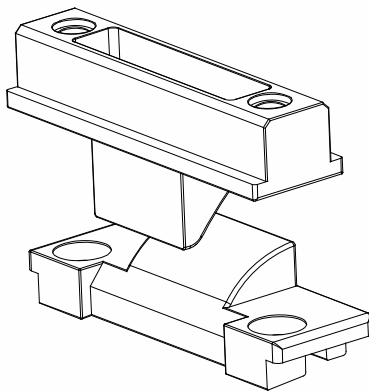
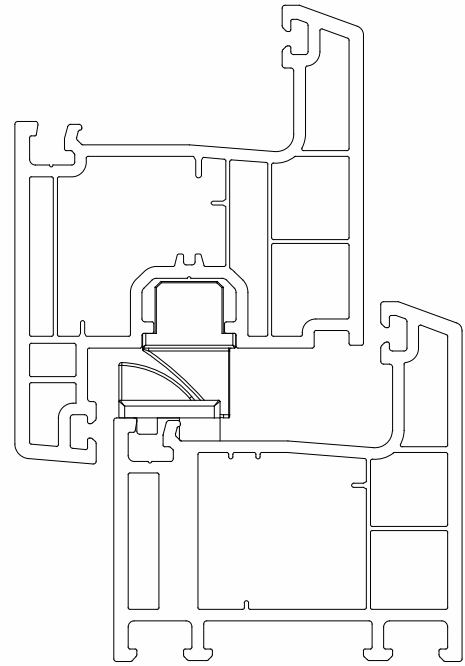
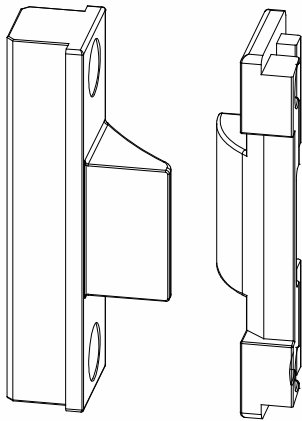


# Inner Centre Rotating Zamak Hinges

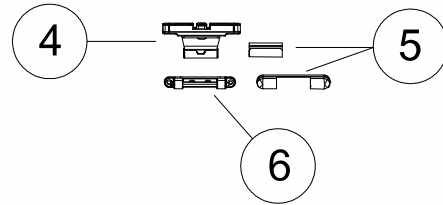
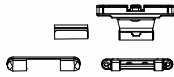
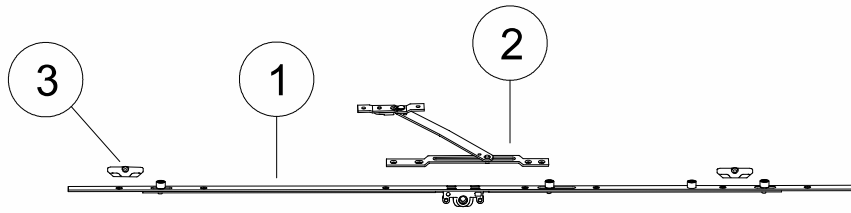


Product Code	Product Name	
P23082	Inner Center Rotating Zamak Hinge 13 Axis	4

# Assembly Application Of Inner Center Rotating Hinge



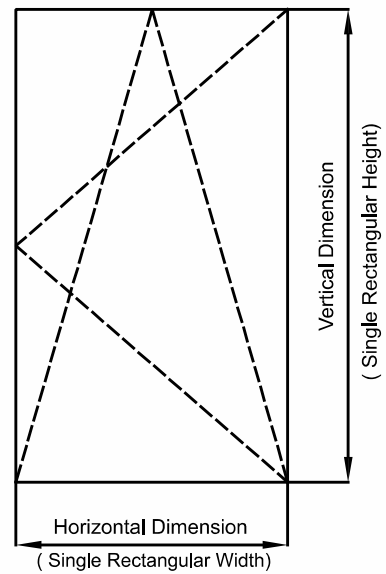
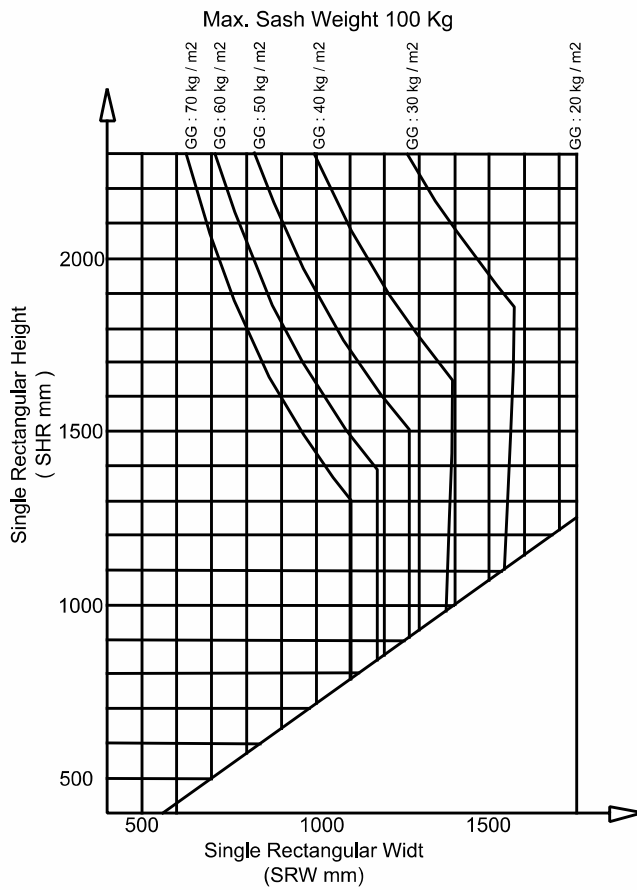
# Tilt Arm Applications



<b>1</b>	<b>Basic Espagnolettes</b>	
<b>6.1</b>	Basic Espagnolettes 15mm-0.59in Bucket 600mm-23.62	P27034
<b>6.2</b>	Basic Espagnolettes 15mm-0.59in Bucket 600mm-23.62 / SP	P27024
<b>6.3</b>	Basic Espagnolettes 15mm-0.59in Bucket 800mm-31.50in	P27035
<b>6.4</b>	Basic Espagnolettes 15mm-0.59in Bucket 800mm-31.50in / SP	P27025
<b>6.5</b>	Basic Espagnolettes 15mm-0.59in Bucket 900mm-35.43in	P27042
<b>6.6</b>	Basic Espagnolettes 15mm-0.59in Bucket 900mm-35.43in / SP	P27026
<b>6.7</b>	Basic Espagnolettes 15mm-0.59in Bucket 1000mm-39.37in	P27036
<b>6.8</b>	Basic Espagnolettes 15mm-0.59in Bucket 1000mm-39.37in / SP	P27027
<b>6.9</b>	Basic Espagnolettes 15mm Bucket 1100mm-43.31in	P27043
<b>6.10</b>	Basic Espagnolettes 15mm Bucket 1100mm-43.31in / SP	P27028
<b>6.11</b>	Basic Espagnolettes 15mm Bucket 1200mm-47.24in	P27037
<b>6.12</b>	Basic Espagnolettes 15mm Bucket 1200mm-47.24in / SP	P27029
<b>2</b>	<b>Tilt Arm</b>	P22116
<b>3</b>	<b>Pin Strikers</b>	(Check The Others List)
<b>4</b>	<b>Center Rotating Hinges</b>	(Check Tilt And Turn Components)
<b>5</b>	<b>Cover Caps</b>	(Check Tilt And Turn Components)
<b>6</b>	<b>Frame Top Hinges</b>	(Check Tilt And Turn Components)

1. On The Espagnolette Applications The Sash Width Should Be min. 600mm
2. The Recommendation Is , Max 1200mm-47.24in Sash Width , Max 80 Kg

# Diagrams



## Calculation Of Glazing Weight

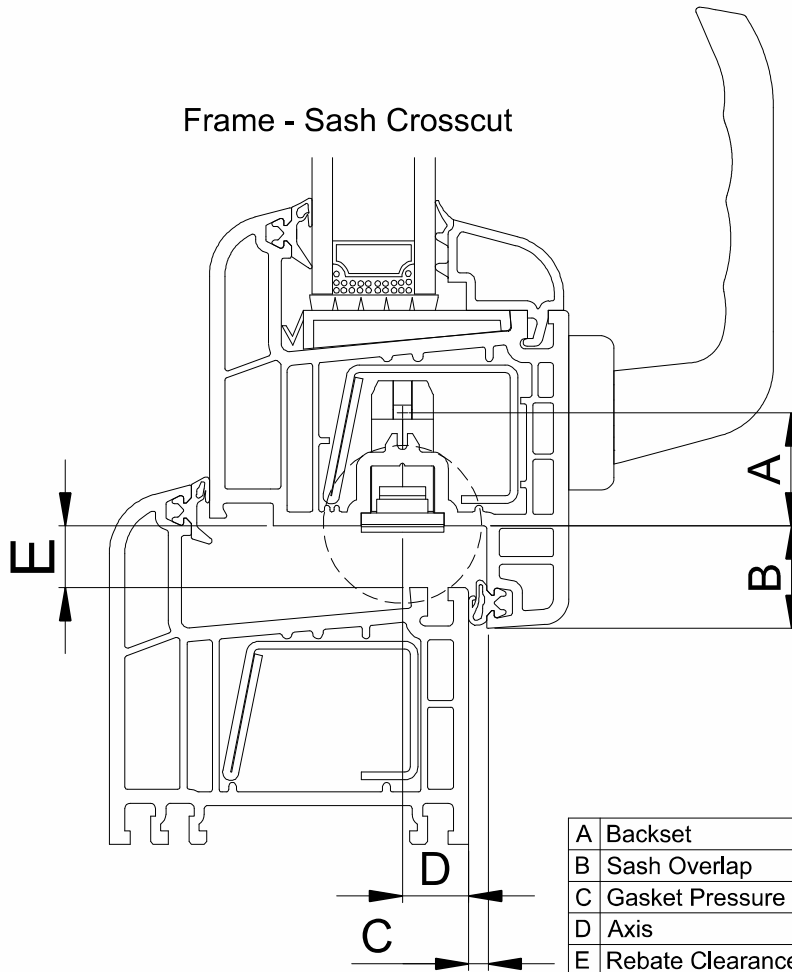
Glazing Thickness ( mm ) :	24	22	20	18	16	14	12	10	8
Glazing Weight ( kg / mm <sup>2</sup> ) :	60	55	50	45	40	35	30	25	20

1mm / mm<sup>2</sup> Glazing Thickness = 2,5 kg  
 GG = Glazing Weight

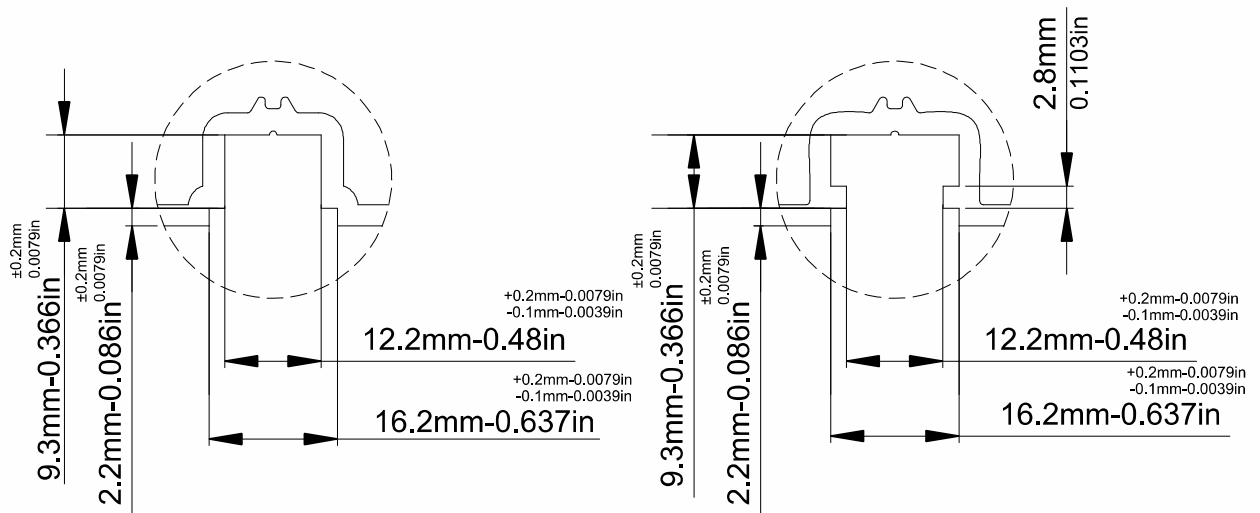


# Technical Information For Pvc Crosscut

Frame - Sash Crosscut

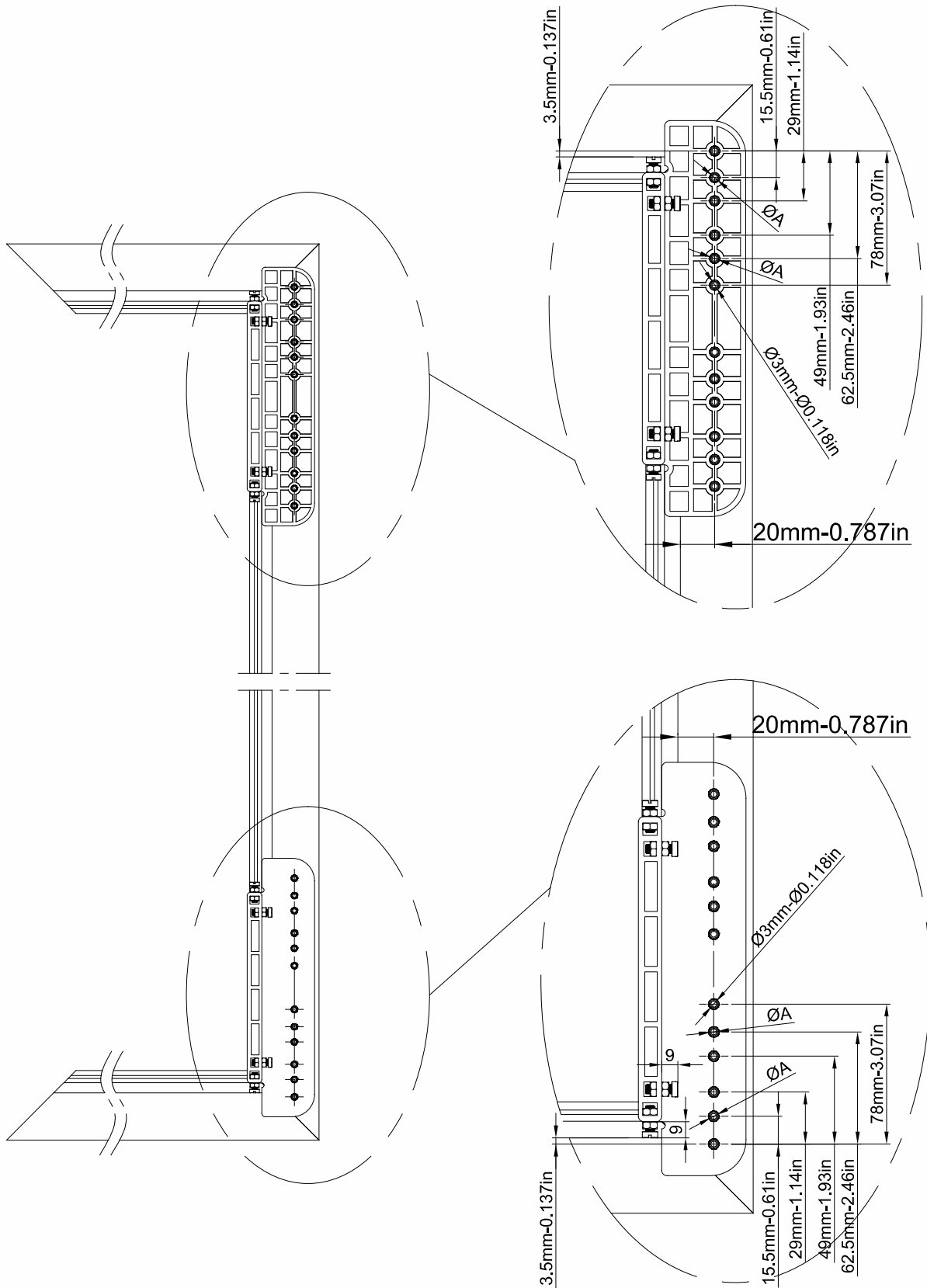


A	Backset	7,5-15mm / 0.295-0.59in
B	Sash Overlap	18-20-22mm/0.71-0.79-0.866in
C	Gasket Pressure Height	3-3,5mm/0.118-0.137in
D	Axis	9-13mm/0.354-0.511in
E	Rebate Clearance	12mm/0.475in



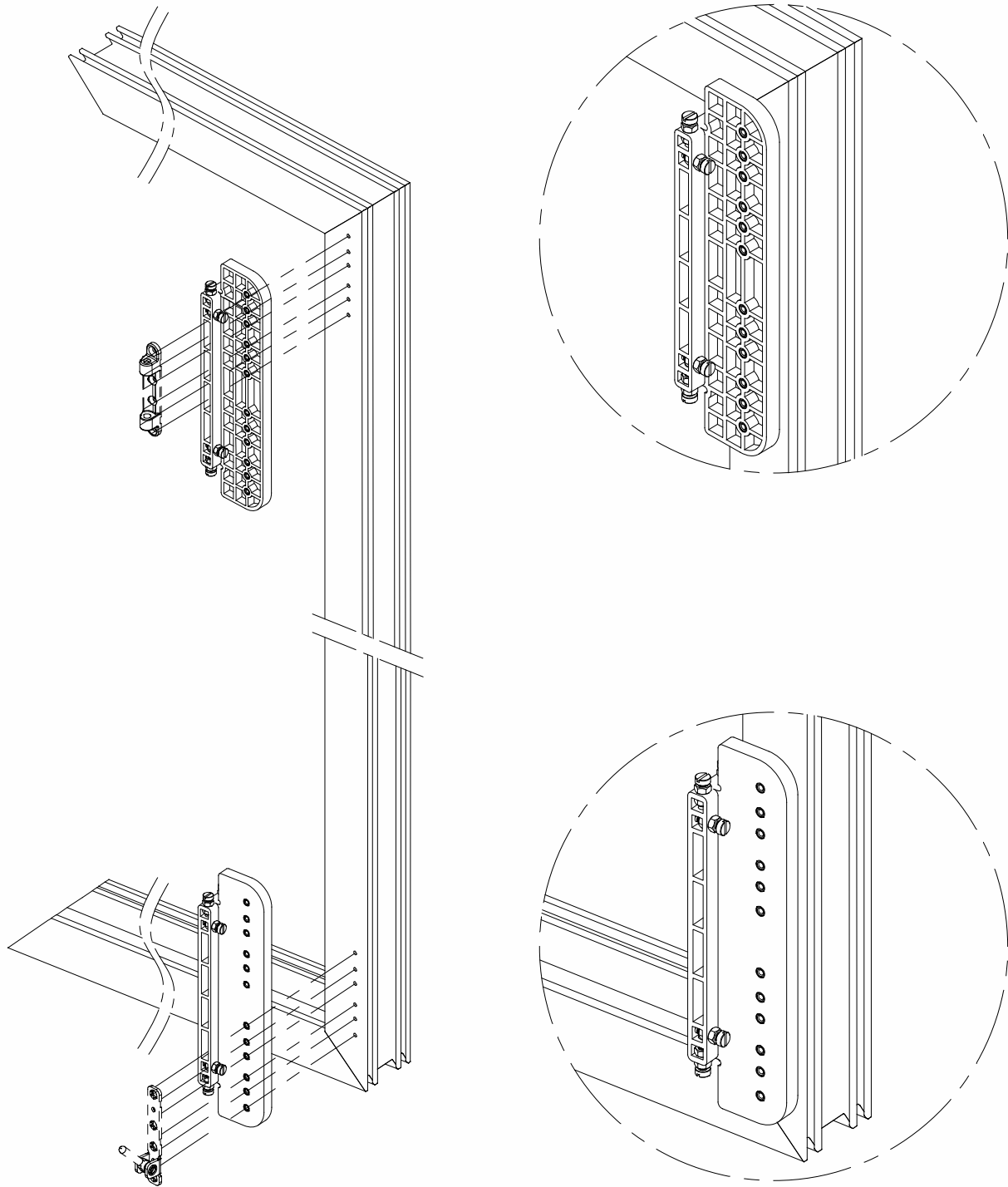
- Ensure an operation space of 12mm-0.475in between the frame sash. Otherwise, problems occur in the function.
- The gasket pressure measurement has to be 3-3,5mm-0.118-0.137in as shown in the figure. A dimension being larger than the required measurement will cause difficulties in the function of the system.

# Assembly Applications Of Top And Bottom Frame Hinges

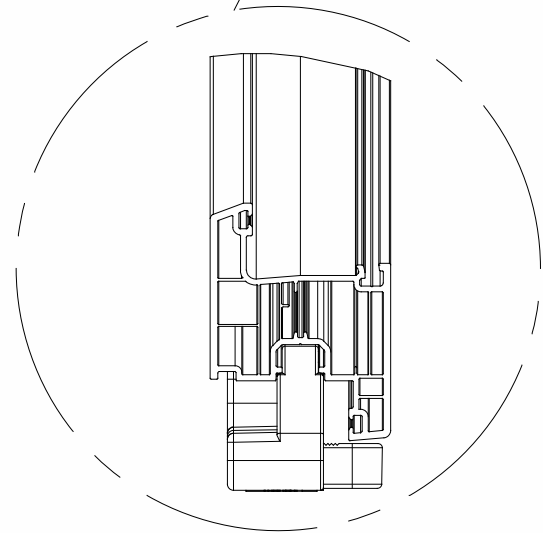
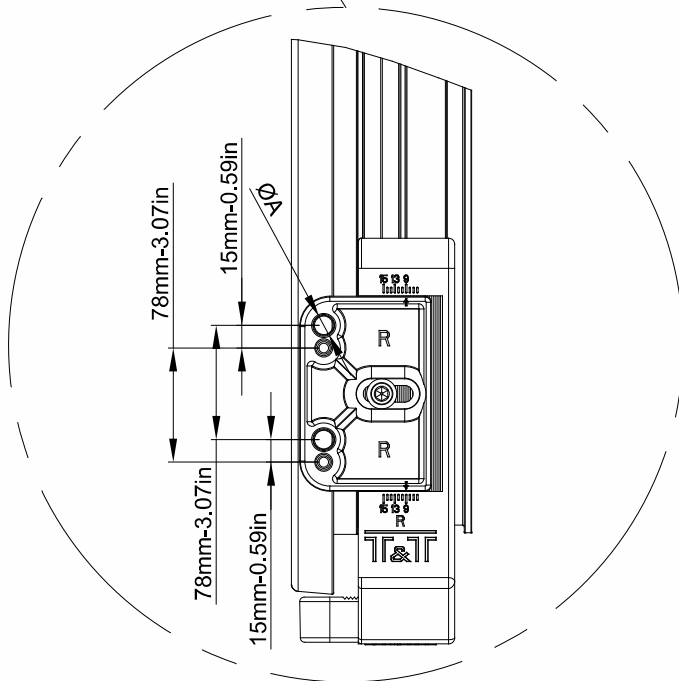
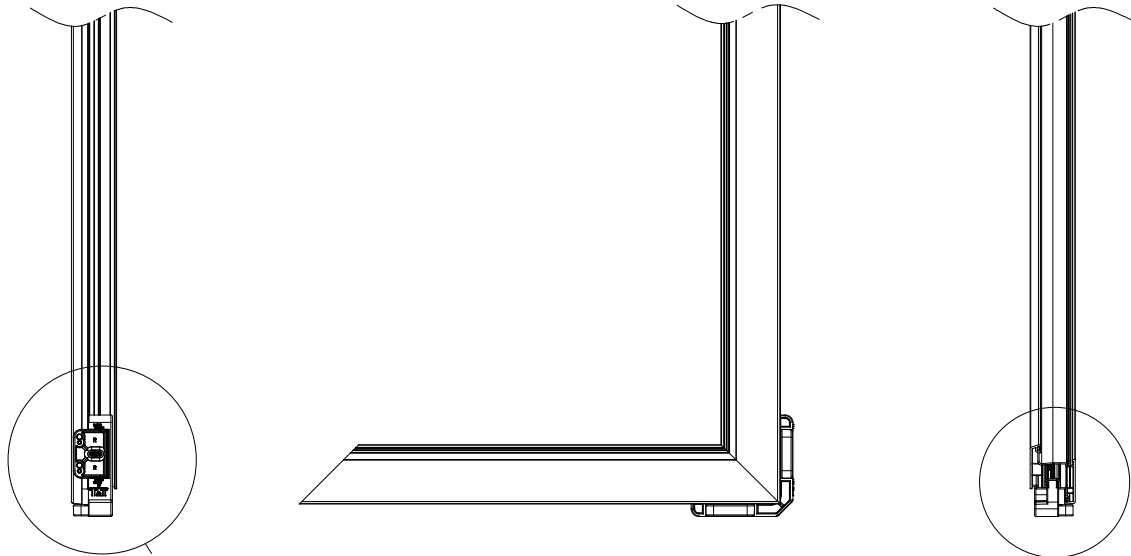


Definition	$\varnothing A(\text{mm})$	Depth(mm)
100 Kg Hinges	3mm 0.118in	-

# Assembly Applications Of Top And Bottom Frame Hinges

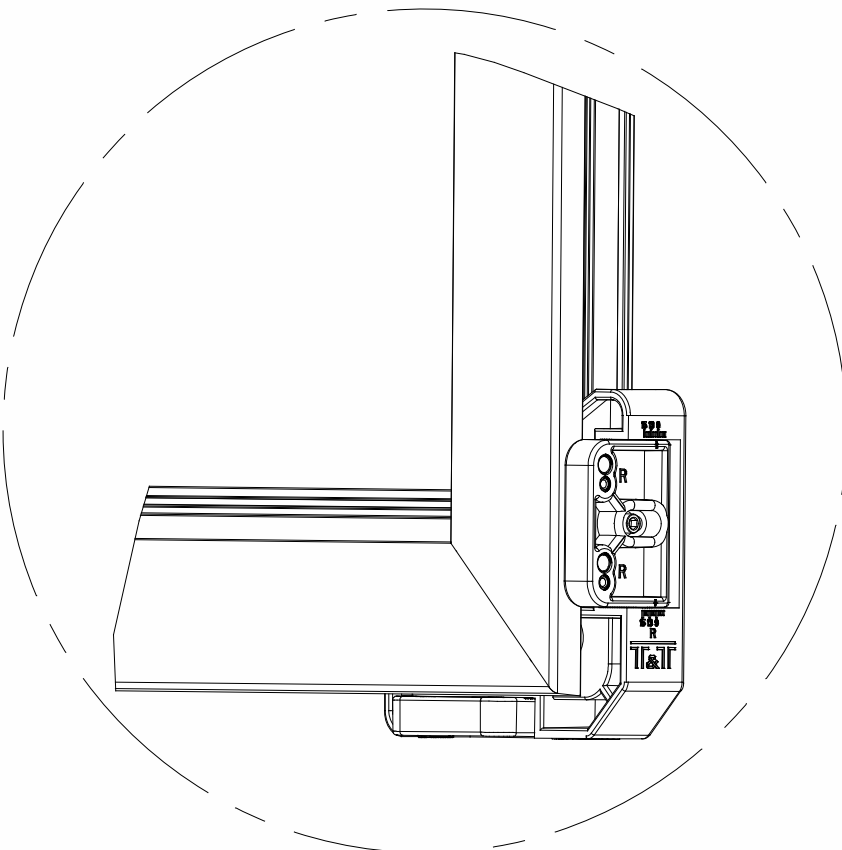
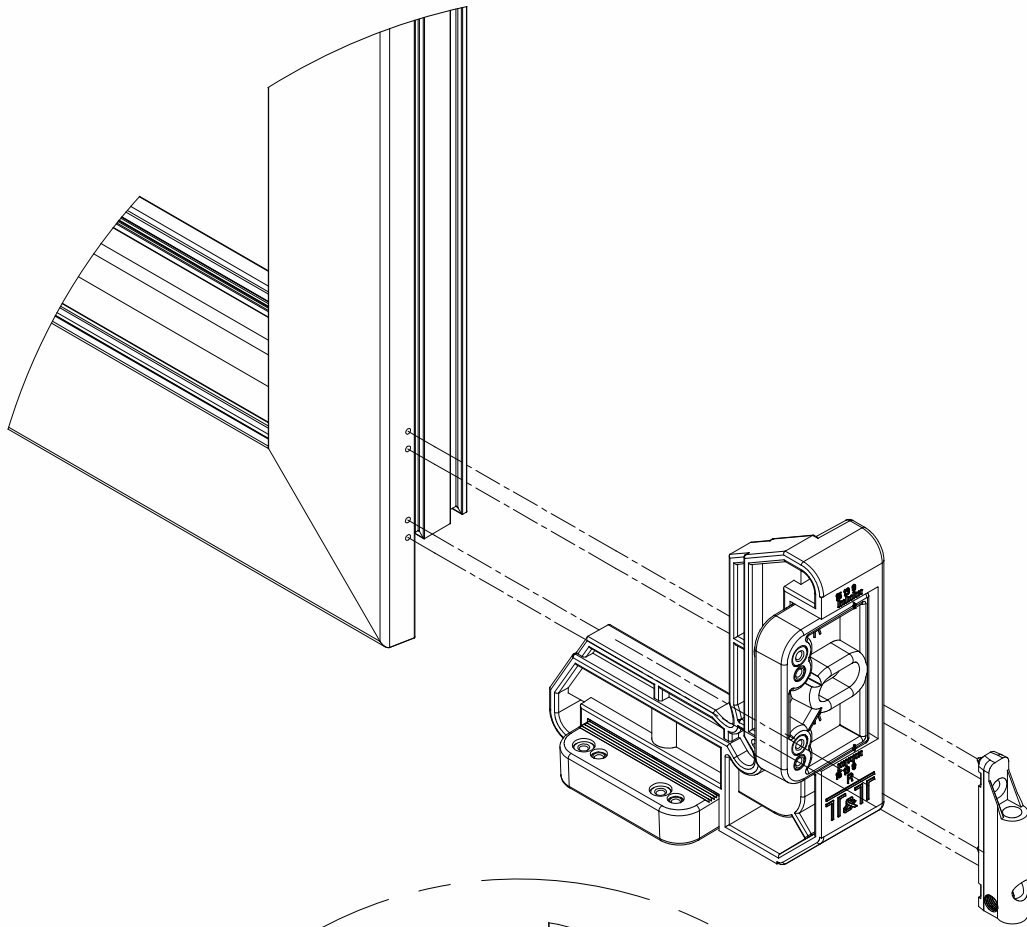


# Assembly Applications Of Sash Bottom Hinge

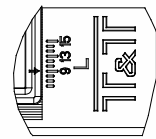
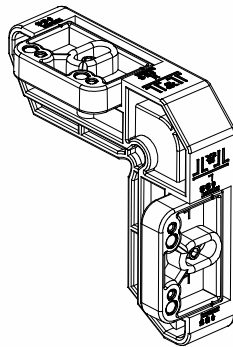
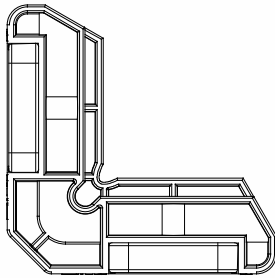
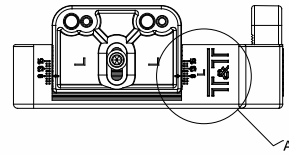
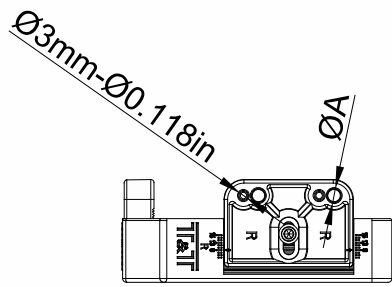


Definition	$\varnothing A(\text{mm})$
100 KG Hinges	3mm 0.118in

# Assembly Application Of Sash Bottom Hinge

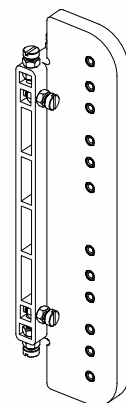
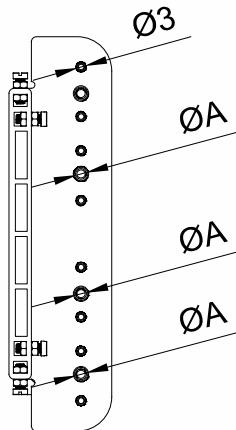


# Assembly Equipments



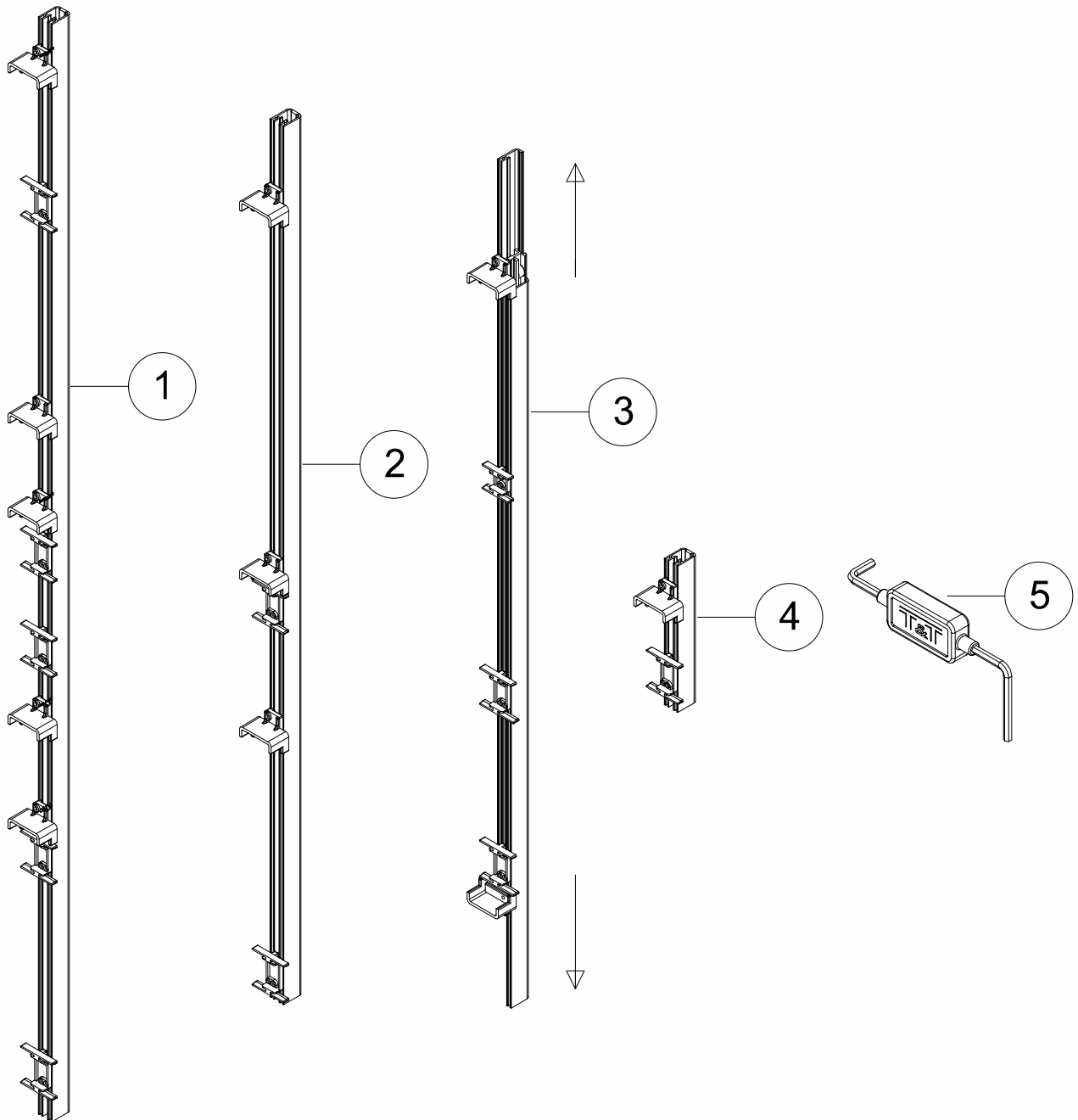
A DETAYI

Product Name	ØA
Sash Application Jig 100 Kg	3mm 0.118in



Product Name	ØA
Frame Application Jig 100 Kg	3mm 0.118in

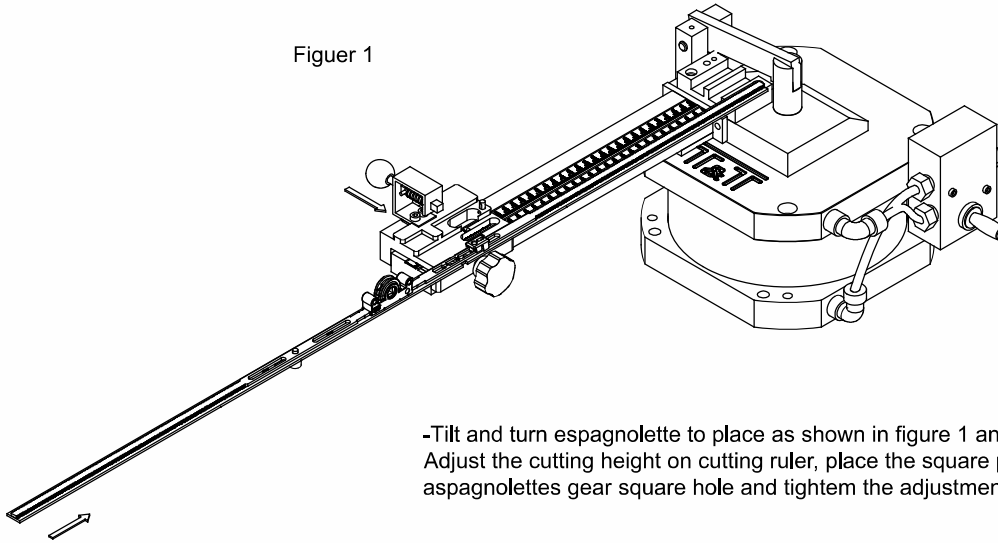
# Assembly Equipments



	Product Name	Product Code
1	Middle Locks Striker Jig	
1.1	L = 1388mm-54,64in Middle Locks Striker Jig	P22137
1.2	L = 1853mm-72,95in Middle Locks Striker Jig	P22138
2	Stay Arms Striker Jig	P22140
3	Espagnolettes Striker Jig	
3.1	750-1450mm 29,52-57,09in Espagnolette Striker Jig	P22135
3.2	1400-2400mm 55,12-94,49in Espagnolette Striker Jig	P22136
4	Corners Striker Jig	P22139
5	4 mm Allen Key	P22214

# Application Of Pneumatic Guillotine Espagnolette

Figuer 1



-Tilt and turn espagnolette to place as shown in figure 1 and figure 2.  
Adjust the cutting height on cutting ruler, place the square pin at the  
aspañolette's gear square hole and tighten the adjustment mechanism.

Figure

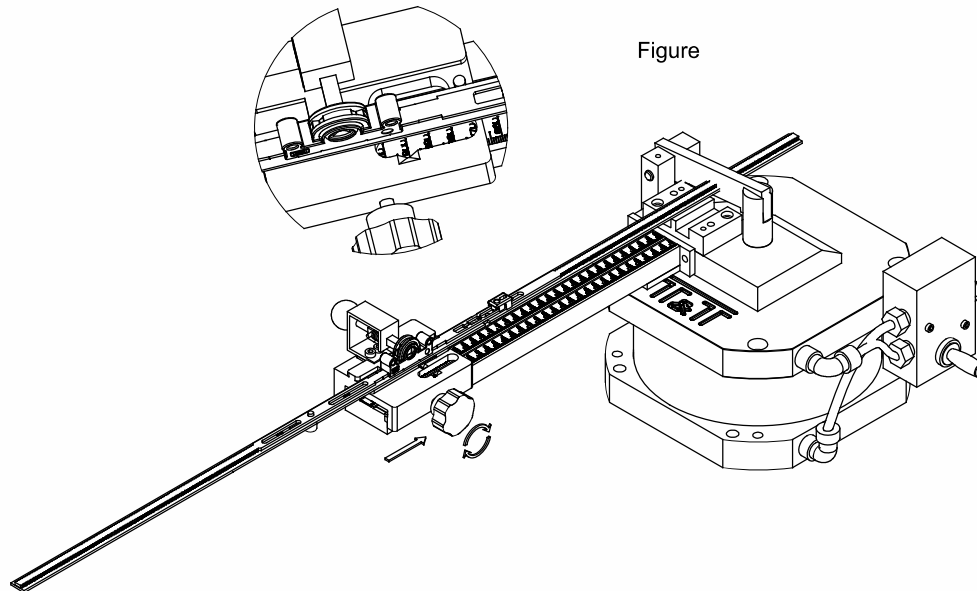
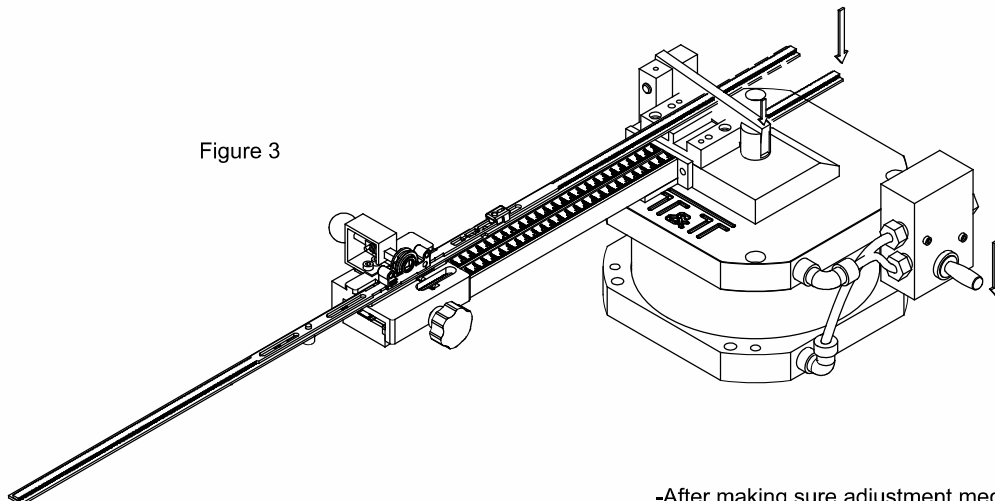


Figure 3

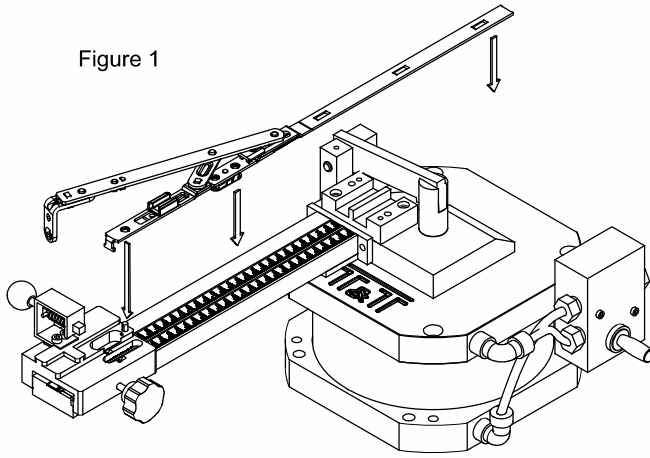


-After making sure adjustment mechanism is tight,  
push the pneumatic control arm down and lift up.



# Application Of Pneumatic Guillotine Stay Arm

Figure 1



- Place to stay arms end hole on the pins as show in figure 1 and figure 2.
- Adjust the cutting longt on cutting ruler and tighten the adjustment mechanism.

Figure 2

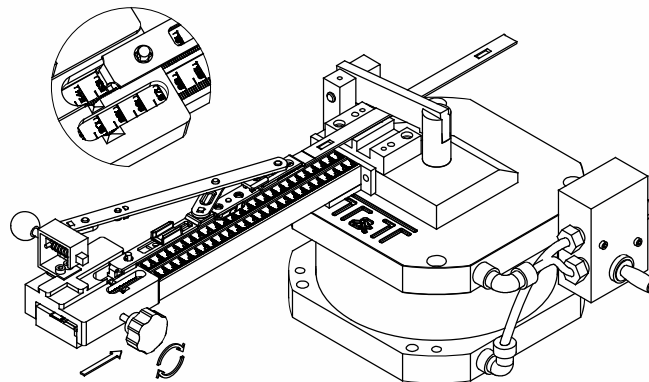
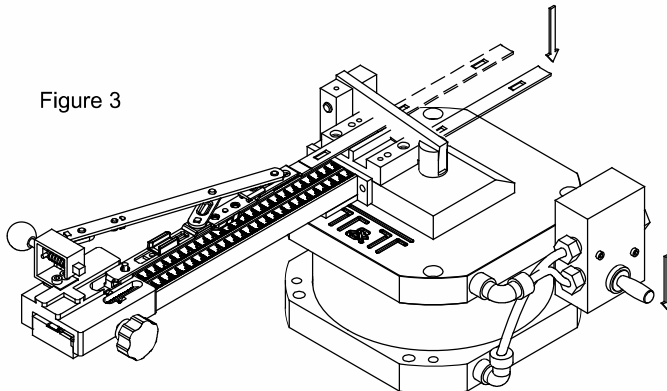


Figure 3



- After making sure adjustment mechanism is tight, push the pneumatic control arm down and lift up.

# Pneumatic Cutting Machine

