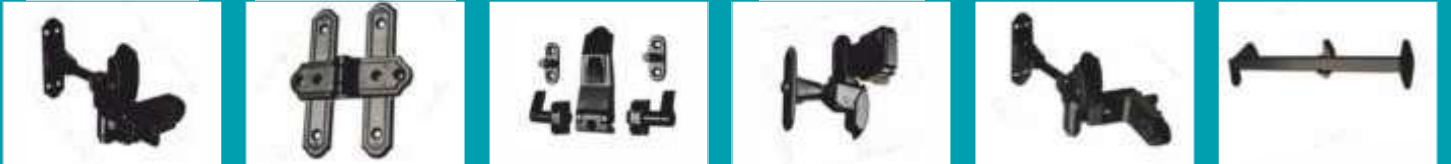


# Shutter Hardware

# ERZEN®



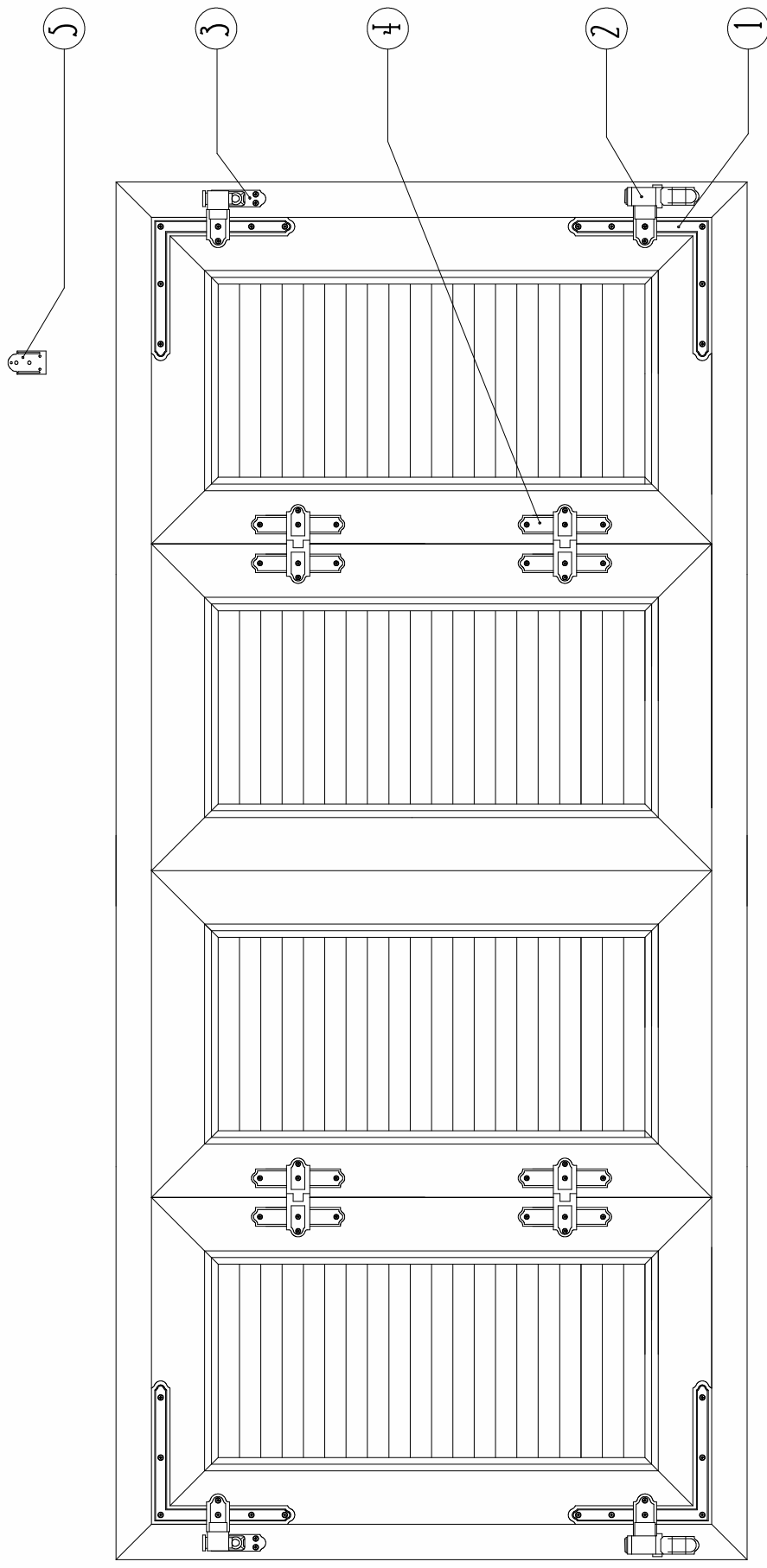
# T&T®

# ERZ®

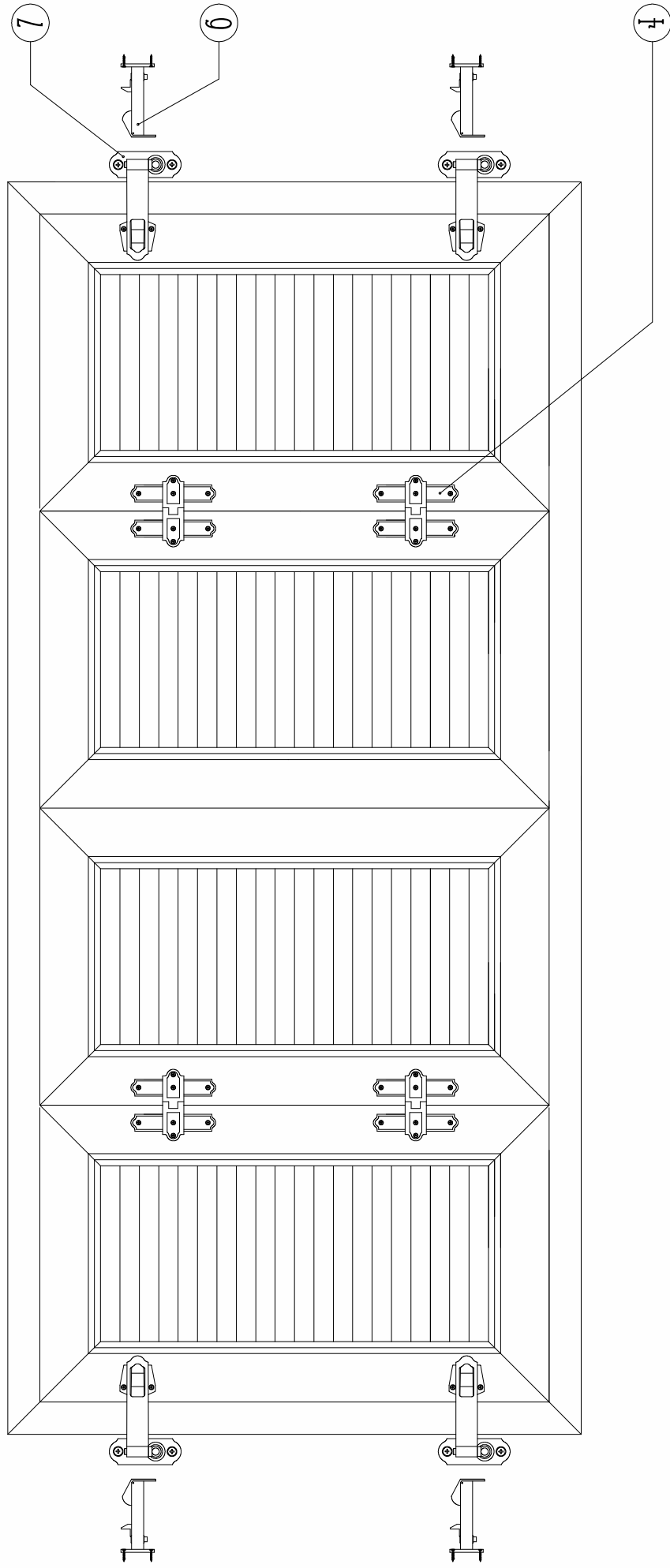


[www.tandt.com.tr](http://www.tandt.com.tr)

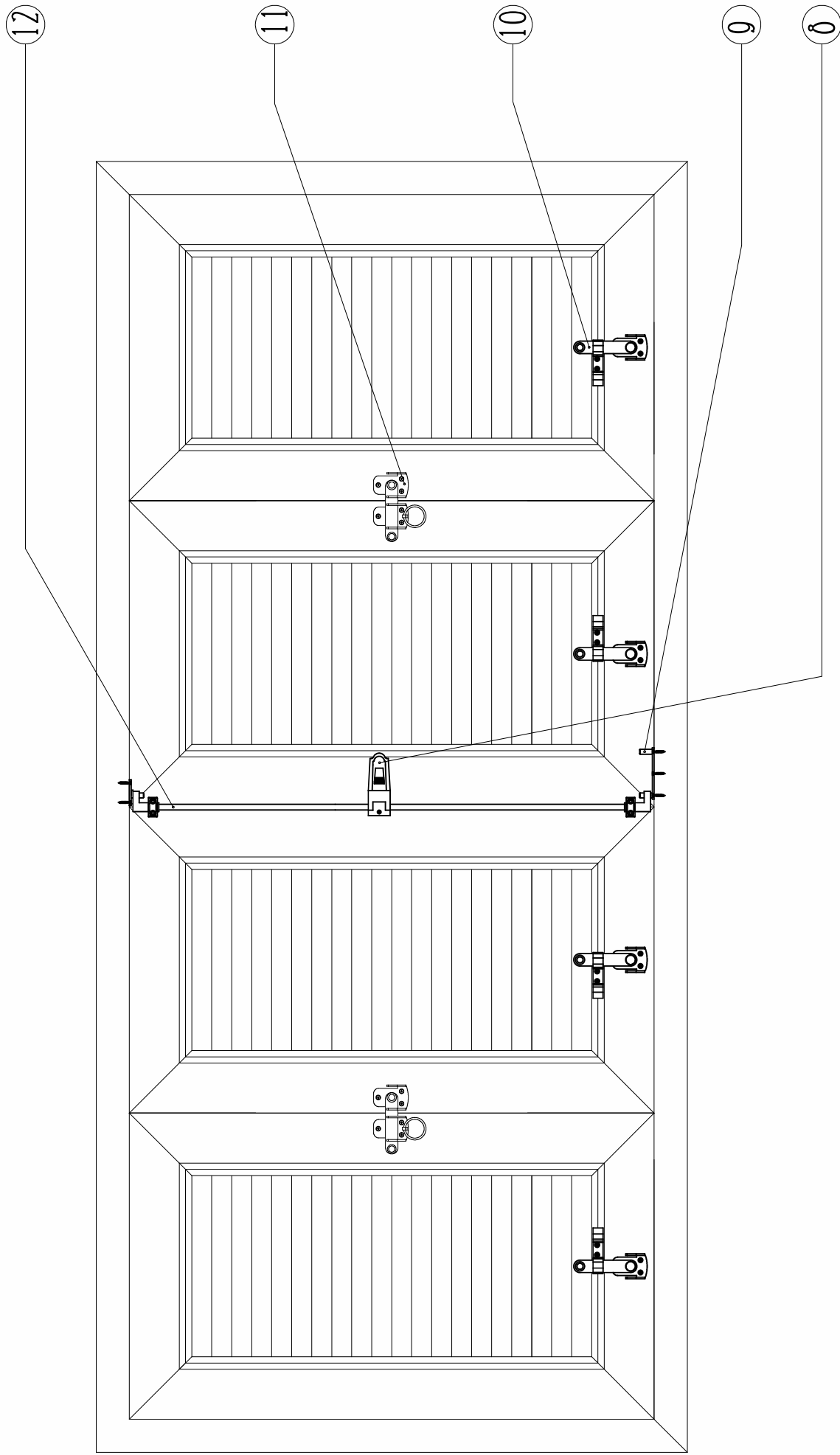
# Schematic Description Of Folding Shutter Hardware Frame Fit - 4 Sashes - Exterior View



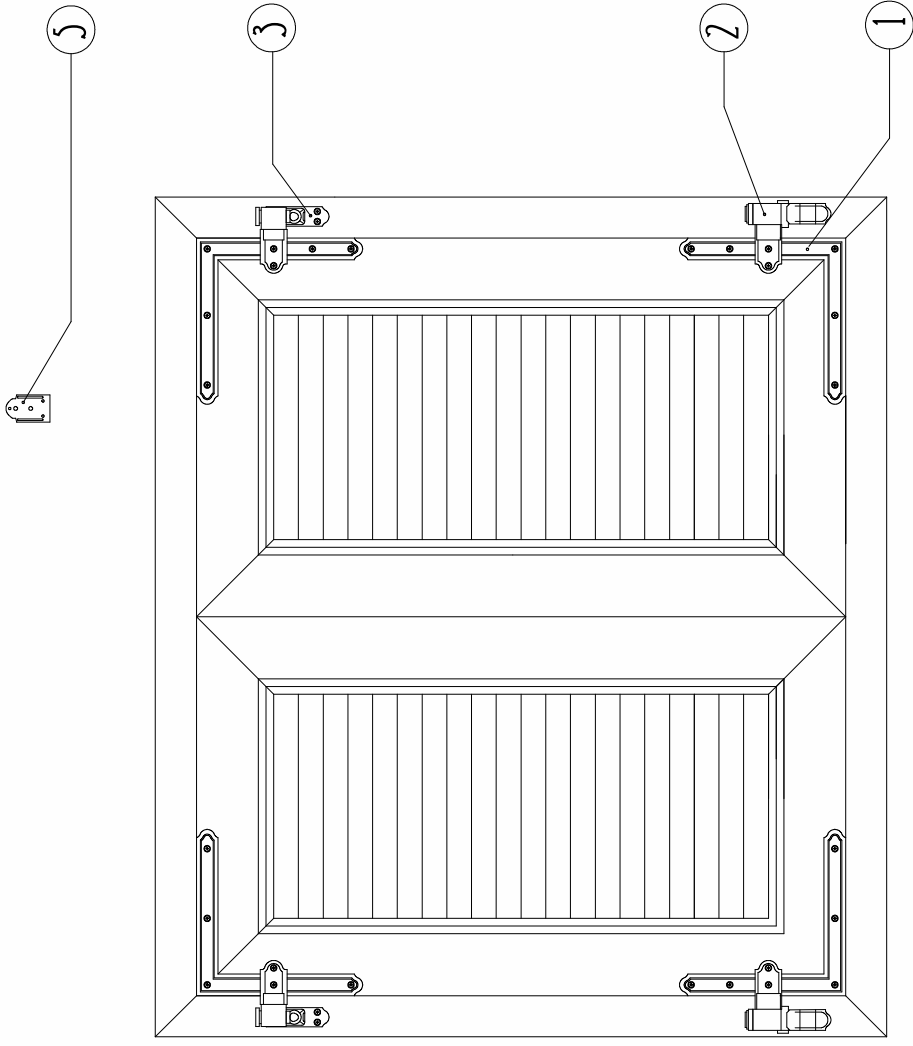
# Schematic Description Of Folding Shutter Hardware Wall Fit 4 - Sashes - Exterior View



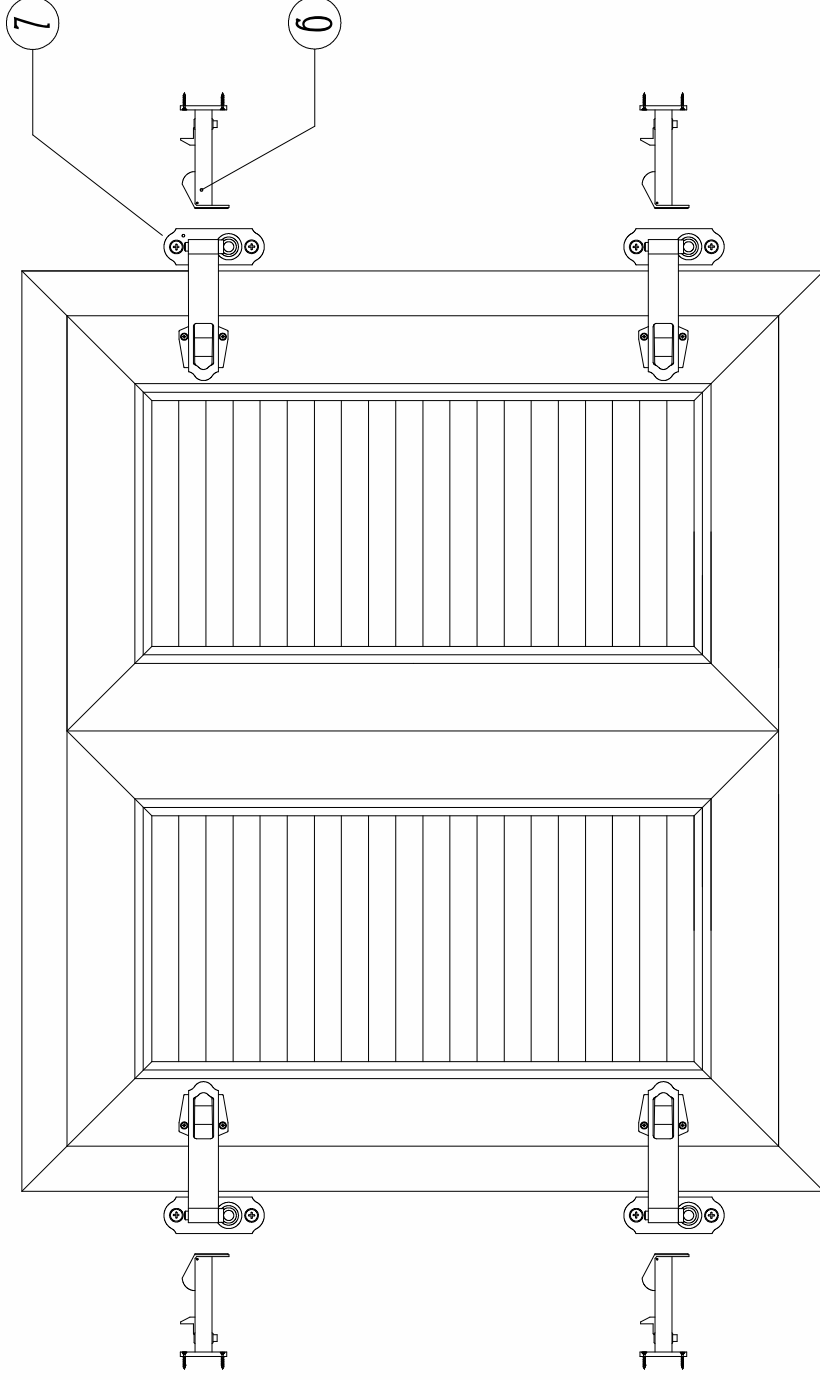
# Schematic Description Of Folding Shutter Hardware - 4 Sashes - Interior View



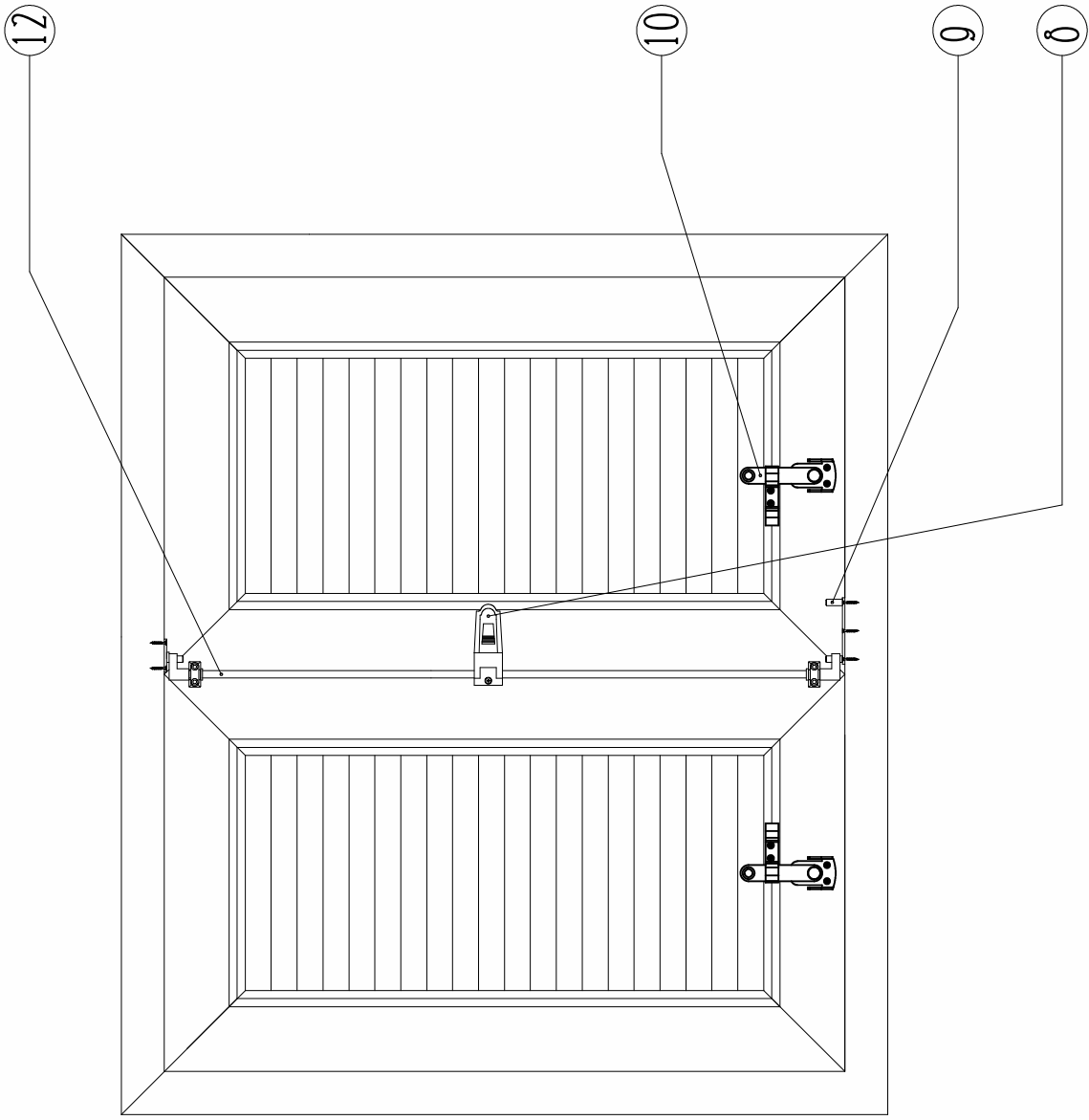
# Schematic Description Of Shutter Hardware Frame Fit - 2 Sashes - Exterior View



# Schematic Description Of Shutter Hardware Fit - 2 Sashes - Exterior View



# Schematic Description Of Shutter Hardware - 2 Sashes - Interior View

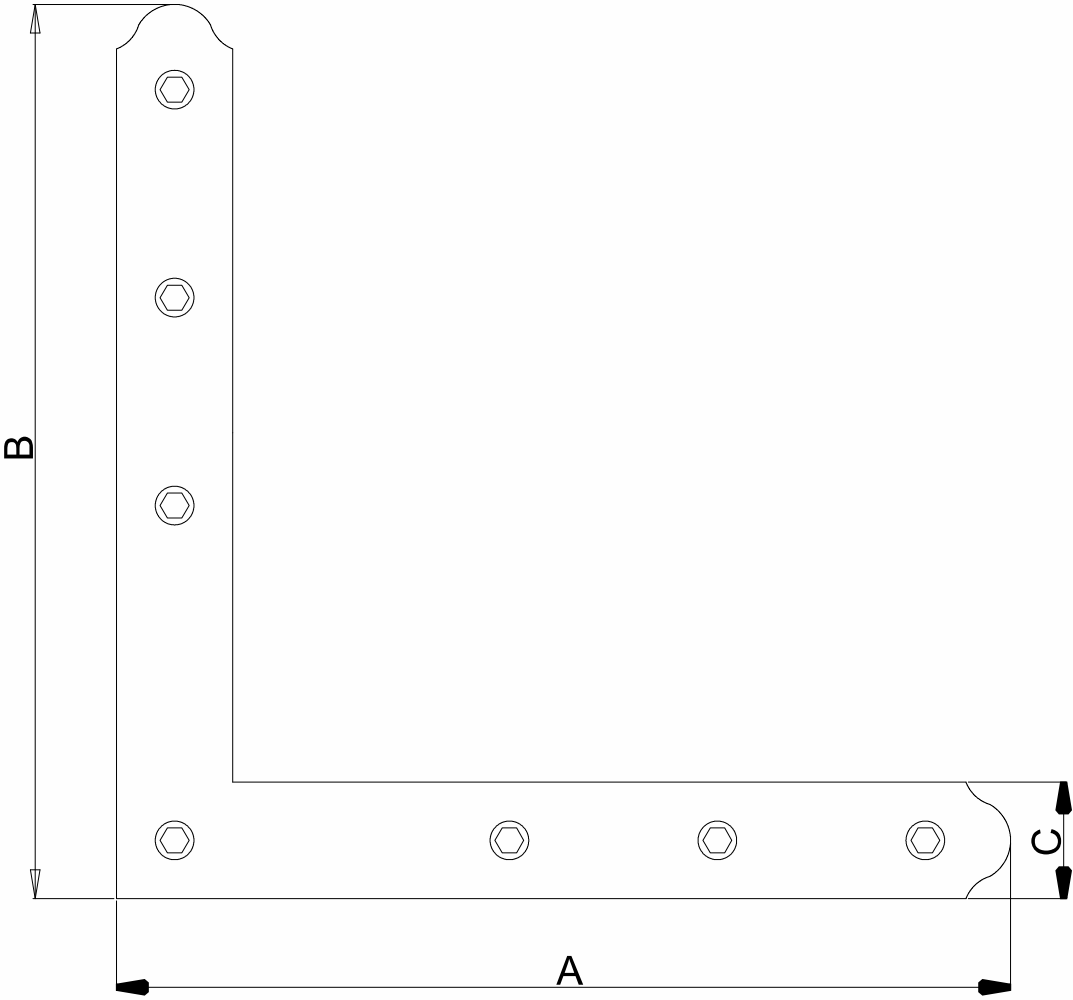


# Shutter Hardware List

<b>1</b>	Shutter Corner - Brackets	Black - Ral 9005		
1.1	Shutter Corner - Bracket	P20053		
<b>2</b>	Shutter Frame Fit Lockable Sub Hinges	Black - Ral 9005		
		77mm-3.031in	115mm-4.527in	155mm-6.102in
2.1	Number 0 Right	P20088	P20089	P20090
2.5	Number 0 Left	P20085	P20086	P20087
<b>3</b>	Shutter Frame Fit Hinges	Black - Ral 9005		
		77mm-3.031in	115mm-4.527in	155mm-6.102in
3.1	Number 0	P20082	P20083	P20084
<b>4</b>	Folding Shutter Central Hinge	Black - Ral 9005		
4.1	Folding Shutter Central Hinge	P20051		
<b>5</b>	Shutter Hinge Reinforcement	Black - Ral 9005		
5.1	Shutter Hinge Reinforcement	P20044		
<b>6</b>	Shutter Catches	Black - Ral 9005		
6.1	Shutter Catches 160mm-6.299in	P20048		
6.2	Shutter Catches 190mm-7.480in	P20047		
6.3	Shutter Catches 250mm-9.842in	P20046		
<b>7</b>	Shutter Wall Fit Hinge	Black - Ral 9005		
7.1	Shutter Wall Fit Hinge	P20052		
<b>8</b>	Shutter Locking Mechanism	Black - Ral 9005		
8.1	Shutter Locking Mechanism	P20054		
<b>9</b>	Shutter Striker Pin Bracket	Black - Ral 9005		
9.1	Shutter Striker Pin Bracket	P20043		
<b>10</b>	Shutter Sub Locking Latch	Black - Ral 9005		
10.1	Shutter Sub Locking Latch	P20081		
<b>11</b>	Folding Shutter Central Locking Latch	Black - Ral 9005		
11.1	Folding Shutter Central Locking Latch	P20050		
<b>12</b>	Shutter Locking Mechanism Bars	Black - Ral 9005		
12.1	Shutter Locking Mechanism Bars 2050mm-80.70in	P20020		
12.2	Shutter Locking Mechanism Bars 2500mm-98.42in	P20021		



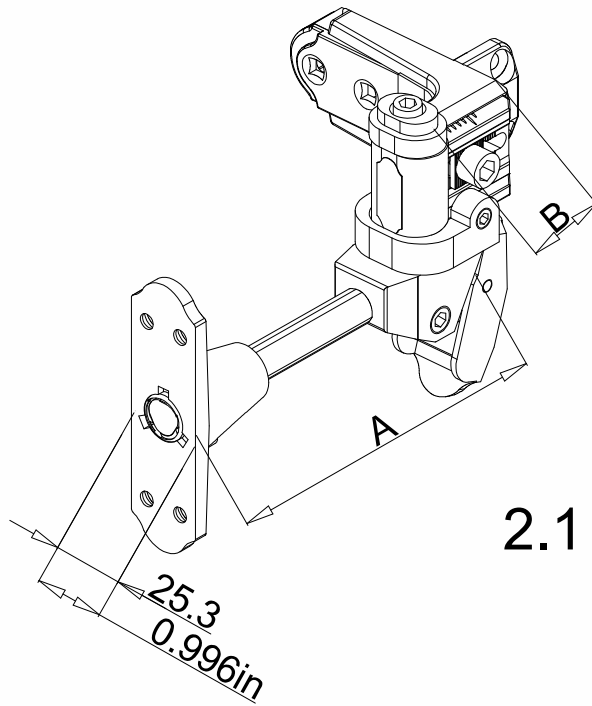
# Shutter Corner - Brackets



## 1.1

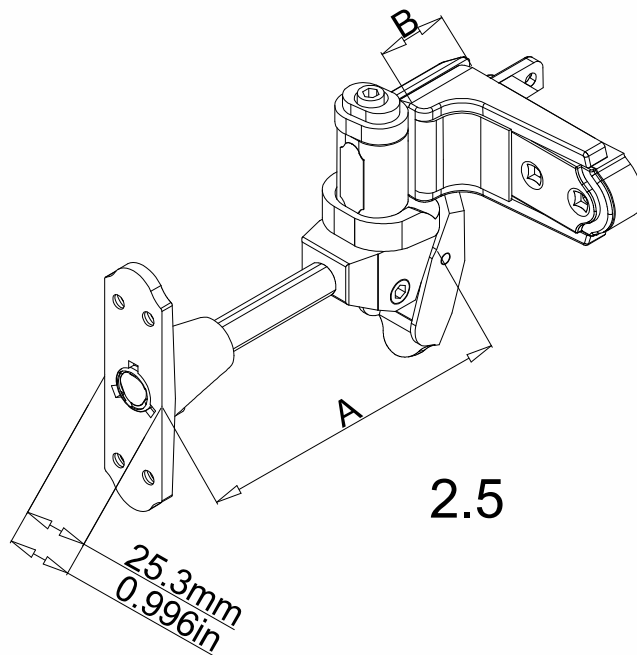
<b>1</b>	Shutter Corner - Brackets	A	B	C	Black - Ral 9005
1.1	Shutter Corner - Brackets	215mm 8.4646in	215mm 8.4646in	28mm 1.1024in	P20053

# Shutter Frame Fit Lockable Sub Hinges Right



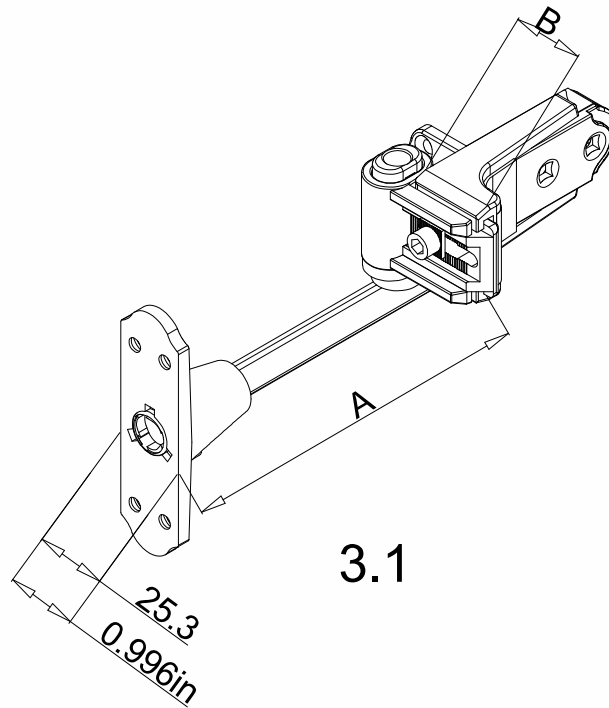
2	Shutter Frame Fit Lockable Sub Hinges Right	A	B	Black - Ral 9005	A	B	Black - Ral 9005	A	B	Black - Ral 9005
2.1	Number 0 Right	77mm 3.031in	23mm 0.905in	P20088	115mm 4.527in	23mm 0.905in	P20089	155mm 6.102in	23mm 0.905in	P20090

# Shutter Frame Fit Lockable Sub Hinges Left



2	Shutter Frame Fit Lockable Sub Hinges Left	A	B	Siyah - Ral 9005	A	B	Siyah - Ral 9005	A	B	Black - Ral 9005
2.5	Number 0 Left	77mm 3.031in	23mm 0.905in	P20085	115mm 4.527in	23mm 0.905in	P20086	155mm 6.102in	23mm 0.905in	P20087

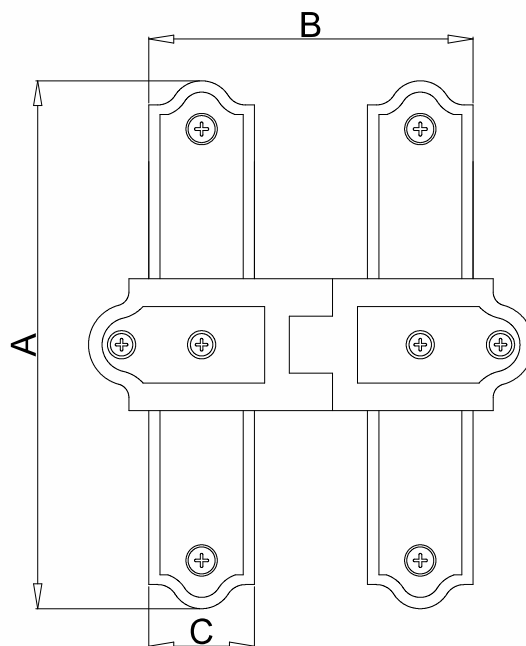
# Shutter Frame Fit Hinges



3.1

3	Shutter Frame Fit Hinges	A	B	Black - Ral 9005	A	B	Black - Ral 9005	A	B	Black - Ral 9005
3.1	Number 0	77mm 3.031in	23mm 0.905in	P20082	115mm 4.527in	23mm 0.905in	P20083	155mm 6.102in	23mm 0.905in	P20084

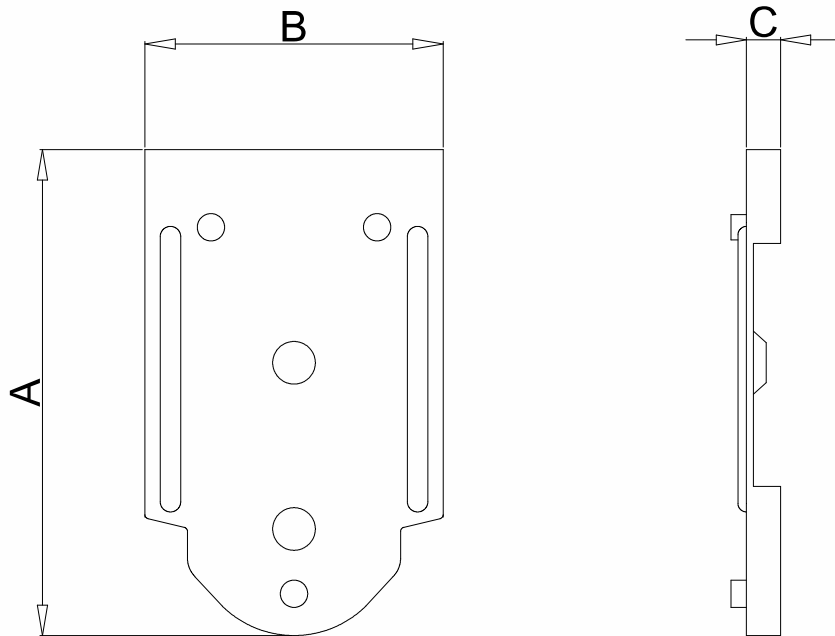
# Folding Shutter Central Hinge



4.1

4	Folding Shutter Central Hinge	A	B	C	Black - Ral 9005
4.1	Folding Shutter Central Hinge	140mm 5.511in	86mm 3.385in	28mm 1.102in	P20051

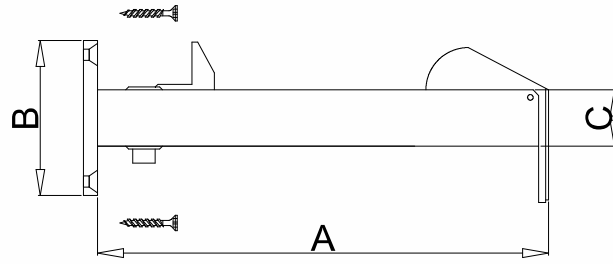
# Shutter Hinge Reinforcement



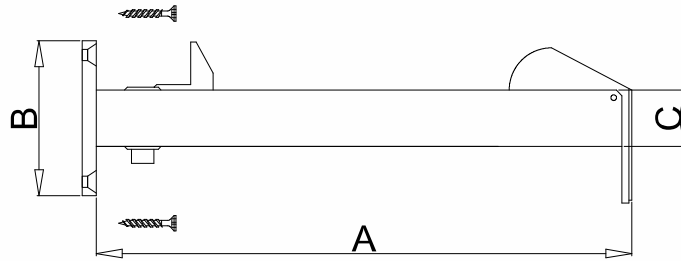
## 5.1

<b>5</b>	Shutter Hinge Reinforcement	A	B	C	Black - Ral 9005
5.1	Shutter Hinge Reinforcement	57mm 2.244in	35mm 1.378in	4mm 0.157in	P20044

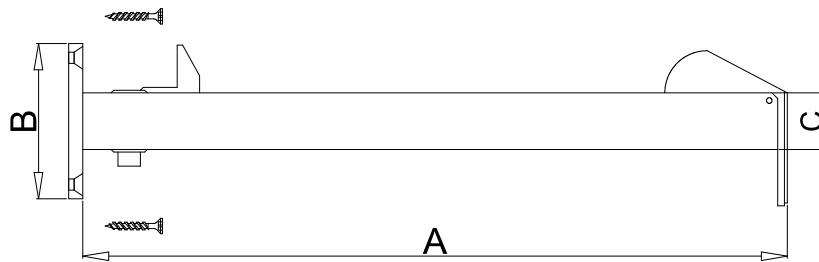
# Shutter Catches



6.1



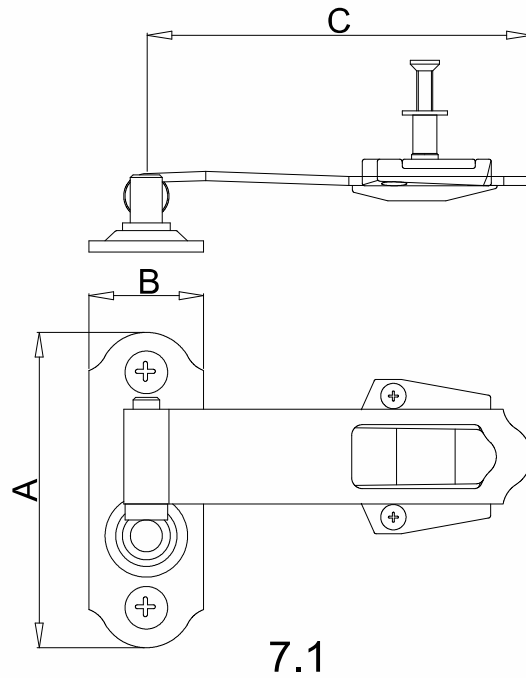
6.2



6.3

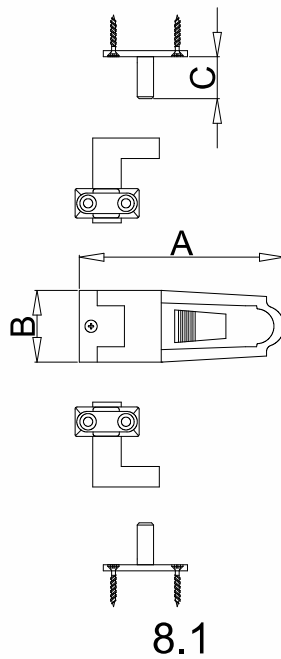
6	Shutter Catches	A	B	C	Black - Ral 9005
6.1	Shutter Catches 160 mm	160mm 6.299in	58mm 2.283in	18mm 0.708in	P20048
6.2	Shutter Catches 190 mm	190mm 7.480in	58mm 2.283in	18mm 0.708in	P20047
6.3	Shutter Catches 250 mm	250mm 9.842in	58mm 2.283in	18mm 0.708in	P20046

# Shutter Wall Fit Hinge



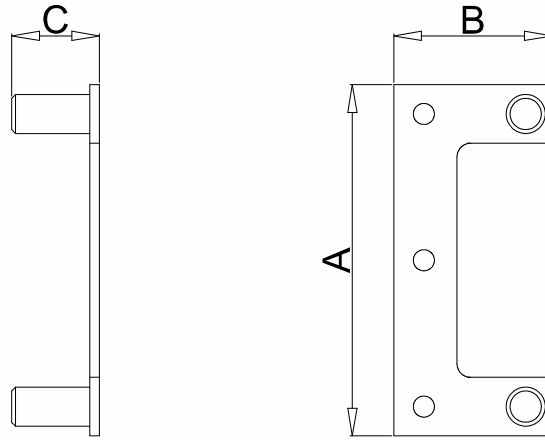
<b>7</b>	Shutter Wall Fit Hinge	A	B	C	Black - RAL 9005
7.1	Shutter Wall Fit Hinge	118mm 4.645in	43mm 1.693in	145mm 5.708in	P20052

# Shutter Locking Mechanism



<b>8</b>	Shutter Locking Mechanism	A	B	C	Black - Ral 9005
8.1	Shutter Locking Mechanism	100mm 3.937in	35mm 1.378in	20.5mm 0.807in	P20054

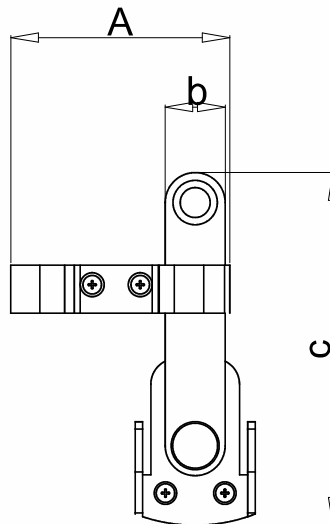
# Shutter Striker Pin Bracket



9.1

<b>9</b>	Shutter Striker Pin Bracket	A	B	C	Black - Ral 9005
9.1	Shutter Striker Pin Bracket	90mm 3.543in	40.6mm 1.598in	22.5mm 0.885in	P20043

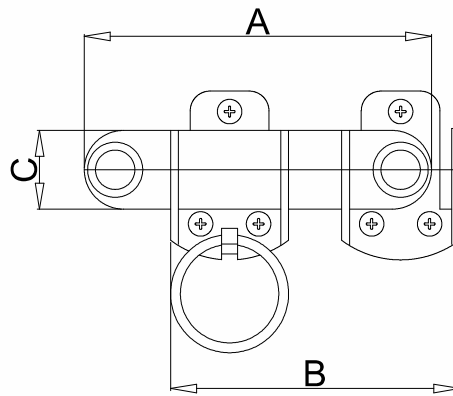
# Shutter Sub Locking Latch



10.1

<b>10</b>	Shutter Sub Locking Latch	A	B	C	Black - Ral 9005
10.1	Shutter Sub Locking Latch	117.5mm 4.626in	73mm 2.874in	20mm 0.787in	P20081

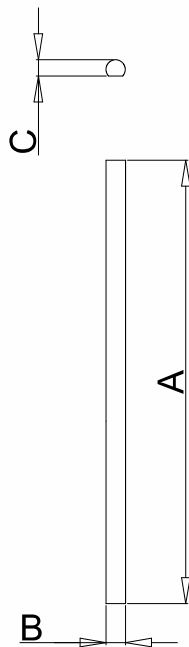
# Folding Shutter Central Locking Latch



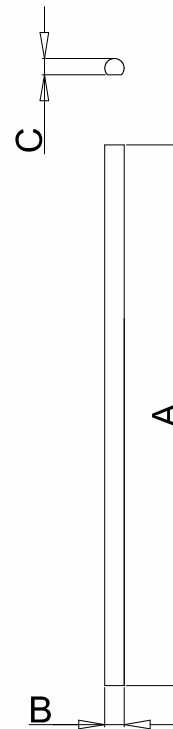
11.1

<b>11</b>	Folding Shutter Central Locking Latch	A	B	C	Black - Ral 9005
11.1	Folding Shutter Central Locking Latch	120mm 4.724in	105mm 4.133in	20mm 0.787in	P20050

# Shutter Locking Mechanism Bars



12.1



12.2

<b>12</b>	Shutter Locking Mechanism Bars	A	B	C	Black - Ral 9005
12.1	Shutter Locking Mechanism Bar 2050	2050mm 80.70in	8.9mm 0.35in	7.5mm 0.295in	P20020
12.2	Shutter Locking Mechanism Bar 2500	2500mm 98.42in	8.9mm 0.35in	7.5mm 0.295in	P20021